

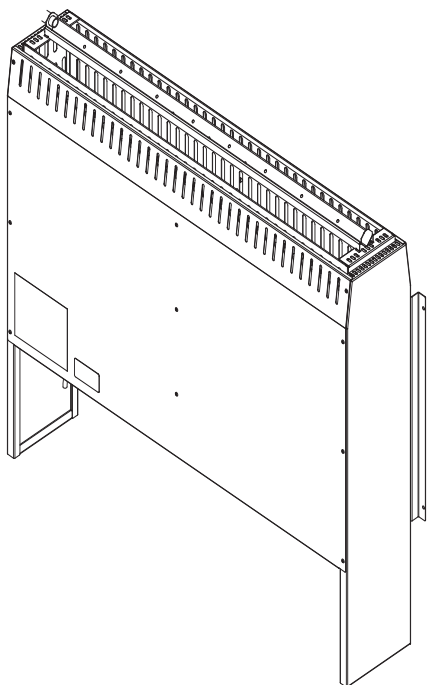
Sauna heater

Rear-wall heater

HWO-090NS-P / 1-027-800: Rear-wall heater 9.0 kW

HWO-105NS-P / 1-027-801: Rear-wall heater 10.5 kW

INSTRUCTIONS FOR INSTALLATION AND USE English



EN

DE

FR

IT

NL

SV

CS

SL

FI

Table of Contents

1. About this instruction manual	4
2. Important information for your safety	5
2.1. Intended use	5
2.2. Safety information for the installer	5
2.3. Safety information for the user	7
3. Product description	8
3.1. Scope of delivery	8
3.2. Optional accessories	8
3.3. Product functions	8
4. Installation and connection	9
4.1. Installation location	9
4.2. Safety distances	10
4.3. Sensor position	11
4.4. Mounting the sensor adapter	12
4.5. Fastening the heater to the sauna wall	13
4.6. Mounting the infusion hose	14
5. Electrical connection	15
5.1. Connection diagram for 400 V 3N~	16
5.2. Connection diagram for 230 V 1N~	17
5.3. Wiring diagrams	18

6. Commissioning	19
6.1. Filling the stone container.....	19
6.2. Position of the warning sign for the stone container.....	20
6.3. Position of the “Do not cover” sign.....	20
6.4. Heating for the first time.....	21
7. Operation	22
7.1. Operating the sauna heater.....	22
7.2. Infusion.....	22
8. Maintenance	23
8.1. Extended periods of non-use.....	23
8.2. Cleaning the sauna heater.....	23
8.3. Changing the sauna stones.....	23
9. Disposal	24
10. Problem-solving by the installer	25
11. Spare parts	25
12. Technical data	26
13. Dimensions	26

1. About this instruction manual

Carefully read these instructions for installation and use, and keep them near the sauna. This ensures that you can refer to information about your safety and the operation at any time.



These installation and operating instructions can also be found in the downloads section of our website: www.sentiotec.com/downloads.

Symbols used for warning notices

In these instructions for installation and use, a warning notice located next to an activity indicates that this activity poses a risk. Always observe the warning notices. This prevents damage to property and injuries, which in the worst case may be fatal.

The warning notices contain keywords, which have the following meanings:



DANGER!

Serious or fatal injury will occur if this warning notice is not observed.



WARNING!

Serious or fatal injury can occur if this warning notice is not observed.



CAUTION!

Minor injuries can occur if this warning notice is not observed.

ATTENTION!

This keyword is a warning that damage to property can occur.

Other symbols



This symbol indicates tips and useful information.



Do not cover



Read the operating instructions

2. Important information for your safety

This rear-wall heater has been produced in accordance with the applicable safety rules and regulations. However, hazards may occur during use. Therefore adhere to the following safety information and the specific warning notices in the individual chapters.

2.1. Intended use

This rear-wall heater is intended solely for heating sauna cabins, in conjunction with a sauna control unit which does not include a remote start function.

Any use exceeding this scope is considered improper use. Improper use can result in damage to the product, severe injuries or death.

2.2. Safety information for the installer

- Installing and connecting the sauna heater may only be performed when the power supply is disconnected.
- Installation may only be performed by a qualified electrician or similarly qualified person.
- A fully disconnecting all-pole isolating device compliant with overvoltage category III must be fitted on site.
- Always use silicone cables that are heat-resistant up to 150 °C to connect the sauna heater.
- Only install one sauna heater in the cabin. The rear-wall heater must not be used together with other sauna heaters in a sauna cabin.

- The roof and walls of the sauna cabin must be manufactured from low-resin, untreated or thermally treated wood, e.g. Nordic spruce, hemlock, pine or fir, or from laminated wooden materials. If laminated wooden materials are used, make sure that the adhesive used in them does not give off formaldehyde. If other materials than wood are used in the sauna cabin, these materials must be heat-resistant and corrosion-resistant and must not cause any negative effects on the health of the sauna users.
- The height of the sauna cabin must be at least 1.9 m.
- Observe the specifications on volumes and on ventilation of the sauna cabin in chapter **12. Technical data**.
- When positioning the sauna heater, observe the minimum safety distances (see chapter **4.2. Safety distances**).
- Also comply with the regulations applicable at the installation location.
- For your own safety, consult your supplier in the event of problems that are not explained in sufficient detail in the installation instructions.

2.3. Safety information for the user

- The device must not be used by children under 8 years of age.
- The device may only be used by children over 8 years of age, by persons with limited psychological, sensory or mental capabilities or by persons with lack of experience/knowledge under the following conditions:
 - They are supervised.
 - They have been shown how to use the device safely and are aware of the hazards that could occur.
- Children must not play with the device.
- Children under 14 years of age may only clean the device if they are supervised.
- For health reasons, do not use the sauna when under the influence of alcohol, medication or drugs.
- Never operate the sauna heater without sauna stones, as this can cause fires.
- Make sure that no flammable objects have been placed on the sauna heater before the sauna control unit is switched on.
- Heat up the sauna heater for half an hour BEFORE using the sauna for the first time. Do NOT remain in the sauna cabin during this period. Then ventilate the sauna cabin well (see **6.4. Heating for the first time** on page 21).
- Never touch the sauna heater while it is operating. The surfaces of the sauna heater and sauna stones become extremely hot.
- For your own safety, consult your supplier in the event of problems that are not described in sufficient detail in the user instructions.

3. Product description

3.1. Scope of delivery

- Sauna heater
- Installation material
- Protective grille
- Sensor adapter (HWO-080 to HWO-105 only)
- Infusion hose with infusion bowl
- “Stone container warning instructions” and “Do not cover” stickers
- Instructions for installation and use

3.2. Optional accessories

<i>Accessories</i>	<i>Item number</i>
Power booster	O-S2-18 / O-S2-18S

3.3. Product functions

This rear-wall heater is a Finnish sauna heater and makes it possible to produce a typical Finnish sauna climate of 80 to 100 °C with an air humidity of approximately 10%.

Water can be poured on the sauna stones using the infusion hose. The water evaporates and the humidity in the sauna cabin increases.

4. Installation and connection

Take the following points into account when positioning and connecting the sauna heater:



WARNING!

Danger of electric shock

- The sauna heater may only be installed and connected when the power supply is disconnected.
-

- The electrical connection may only be performed by a qualified electrician or similarly qualified person.
- A fully disconnecting all-pole isolating device compliant with overvoltage category III must be fitted on site.
- Do not place the sauna heater on a floor made from an easily flammable material such as wood or plastic. Suitable flooring includes ceramic tiles, for example.

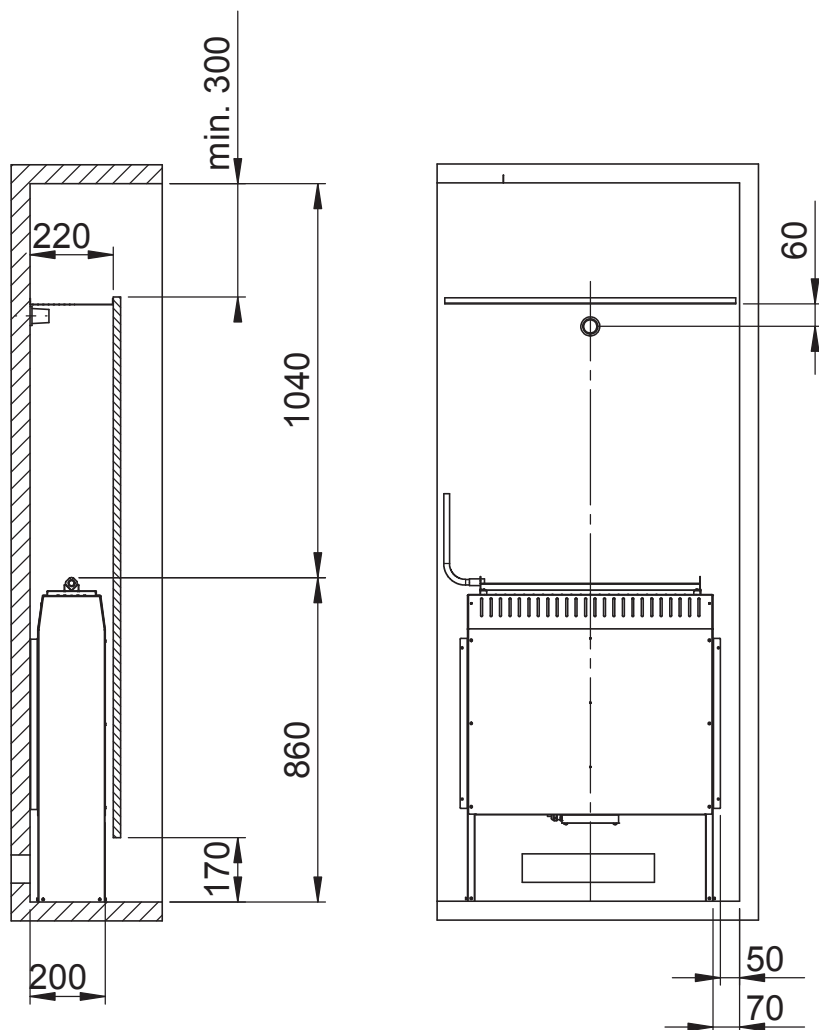
4.1. Installation location

Position the heater centrally in front of the air intake opening in the cabin wall. Observe the safety distances to the cabin wall specified in **Fig. 1**.

4.2. Safety distances

Observe the minimum safety distances specified in **Fig. 1**.

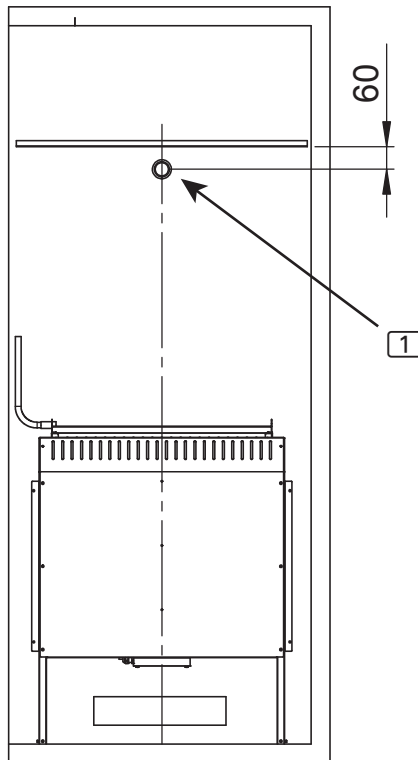
Fig. 1 Safety distances for rear-wall heater
(HWO-090NS-P / HWO-105NS-P)
Measurements in mm



4.3. Sensor position

Unlike the sensor installation of your sauna control unit, the heater sensor is mounted as shown in **Fig. 2**. Mount the heater sensor **1** centrally above the heater, 60 mm (from the middle of the sensor) below the protective grille. Also observe the dimensions for the protective grille listed in “**Safety distances**” on page 10.

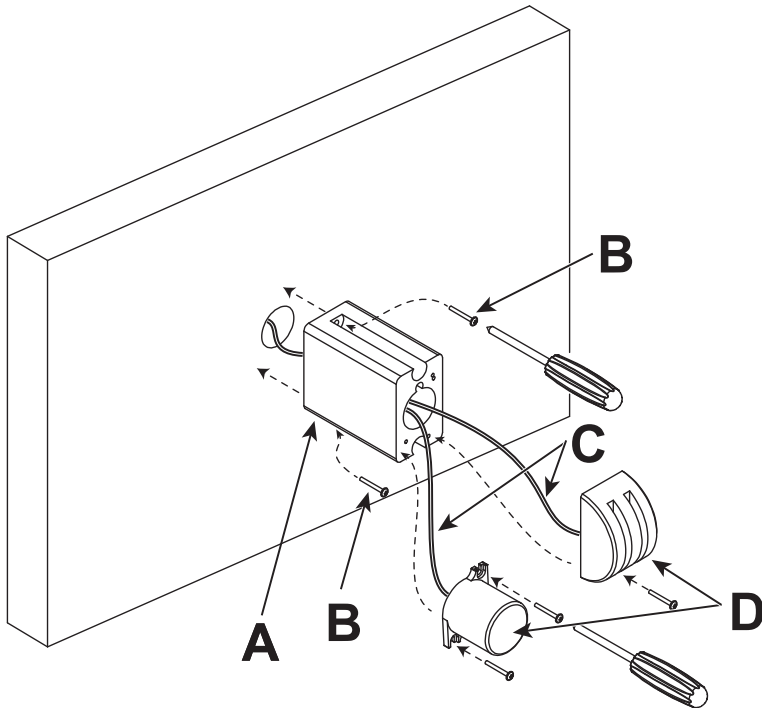
Fig. 2



4.4. Mounting the sensor adapter

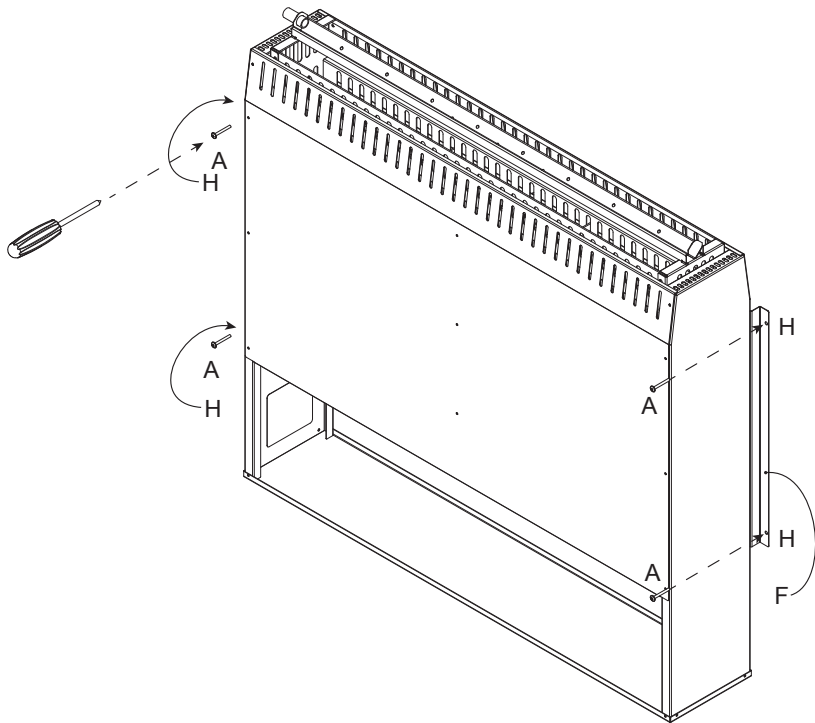
Fasten the sensor adapter **A** (supplied with the heater) in the position on the sauna wall stated in “**Sensor position**” on page 11 using the wood screws **B**.

Push the sensor cable **C** through the sensor adapter **A** and the sauna wall. Then mount the sensor **D** on the front of the sensor adapter **A**. Make sure the screws go into the holes provided.



4.5. Fastening the heater to the sauna wall

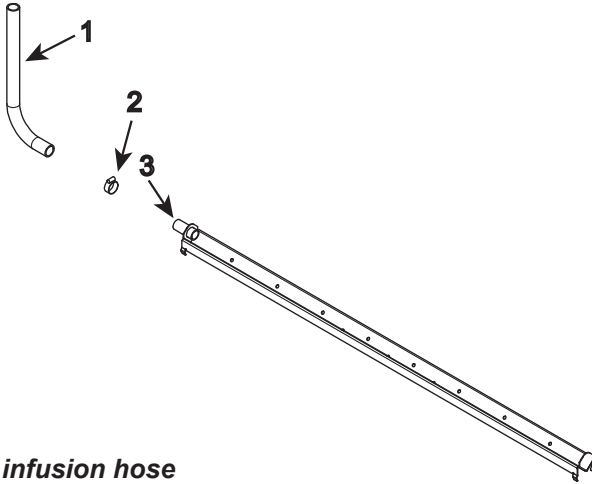
To fix the heater so that it does not slip or fall over, fasten it using the wood screws supplied **A** by means of the fastening holes **H** in the mounting flanges **F** on both sides.



4.6. Mounting the infusion hose

Put the open hose clip **2** on the infusion hose **1**. Push the hose over the connecting piece **3**.

Tighten the hose clip with a screwdriver.



Laying the infusion hose

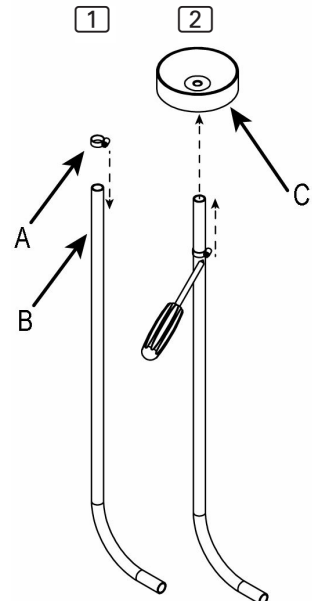
When laying the hose, make sure it slopes over its full length. Water that accumulates at low points can impair the air quality after long periods of non-use.

1

Completely open the hose clip **A** and put it on the infusion hose **B**.

2

Then guide the infusion hose over the connection piece of the infusion bowl **C**. Fasten the hose with the clip **A**.



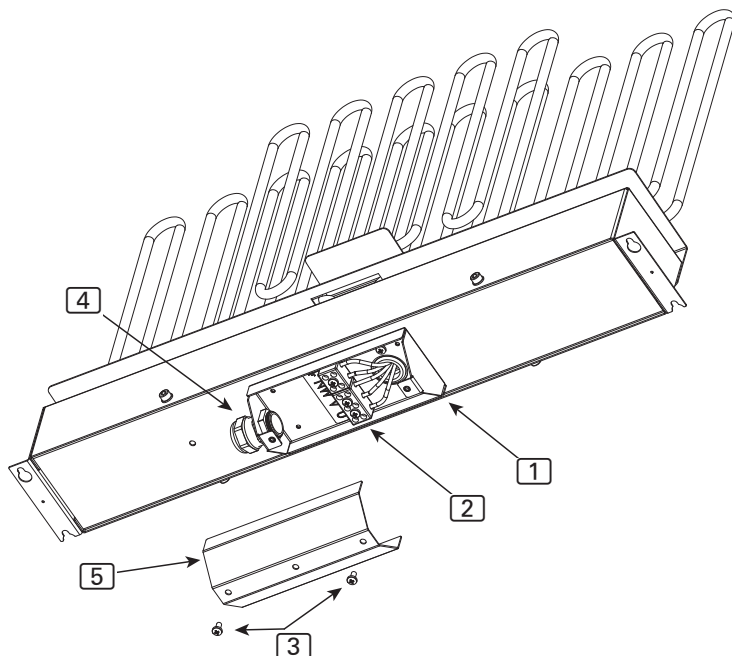
5. Electrical connection



ATTENTION!
Danger of electric shock

- The sauna heater may only be installed and connected when the power supply is disconnected.

1. Undo the screws [3] in the cover [5].
2. Take the cover [5] off the connection box [1].
3. Pull the cable through the feed-through [4].
4. Connect the U – V – W – N – PE conductors of the cable to the corresponding terminals [2].

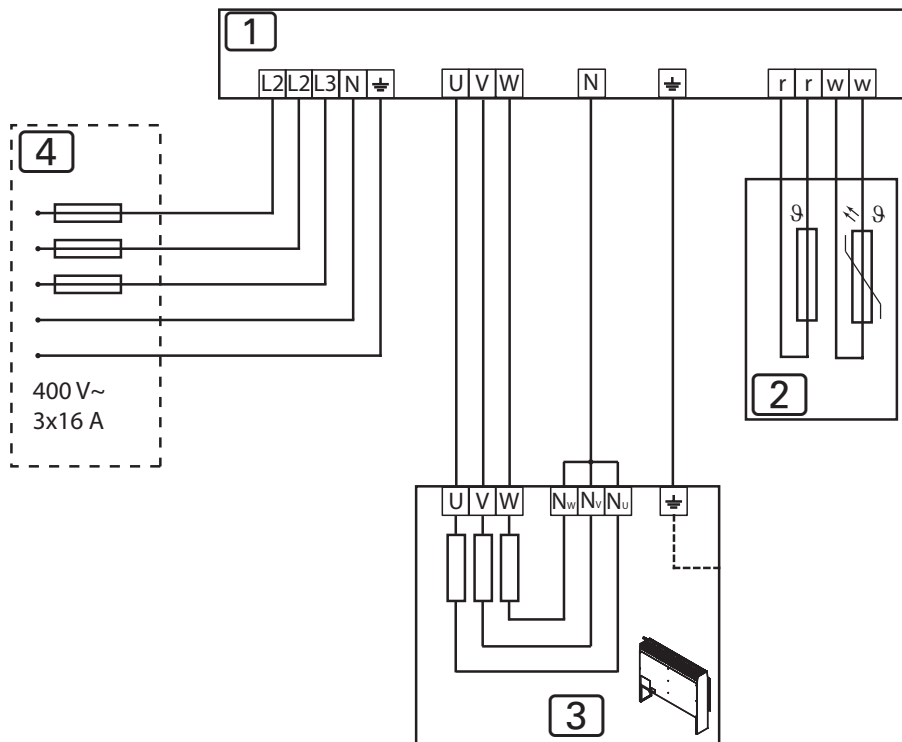


EN

5. Tighten the feed-through [4].
6. Put the cover [5] back on the connection box [1] and fasten it with the screws [3].

5.1. Connection diagram for 400 V 3N~

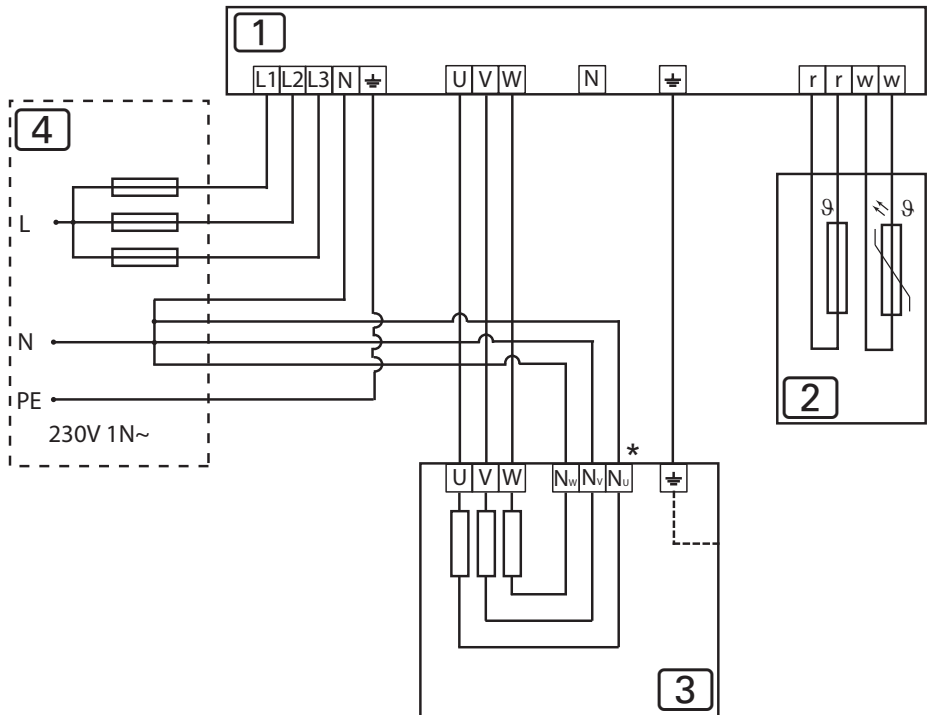
Fig. 3 Connection diagram
(HWO-090NS-P / HWO-105NS-P)



- 1 Sauna control unit
- 2 Temperature sensor with excess temperature cut-out
- 3 Rear-wall heater
- 4 Power supply

5.2. Connection diagram for 230 V 1N~

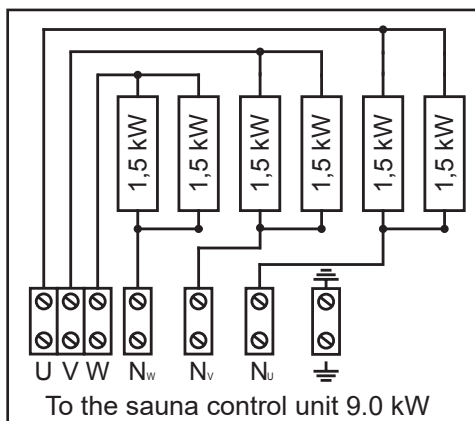
Fig. 4 Connection diagram
(HWO-090NS-P / HWO-105NS-P)



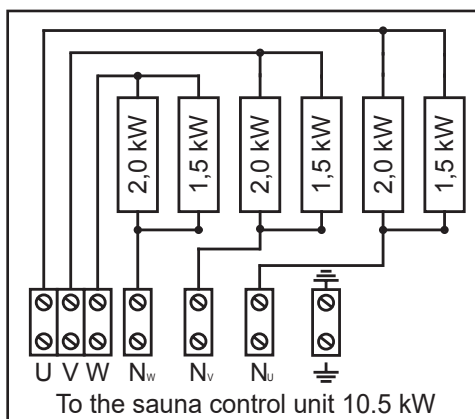
- 1 Sauna control unit
- 2 Temperature sensor with excess temperature cut-out
- 3 Rear-wall heater
- 4 Power supply
- * Remove the copper bridge

5.3. Wiring diagrams

HWO-090NS



HWO-105NS



6. Commissioning

6.1. Filling the stone container



WARNING!

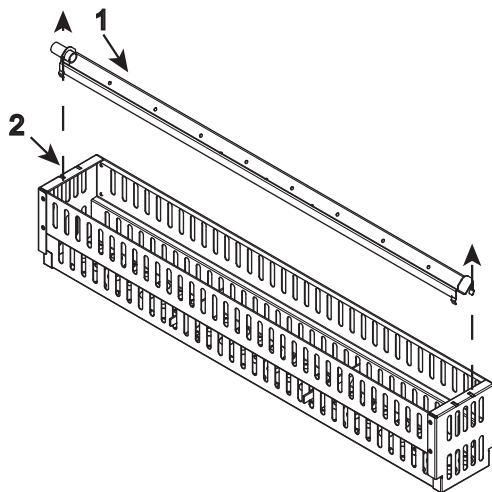
Risk of fire due to overheating

If the sauna heater is used without sauna stones, the cabin walls will become extremely hot. This could cause fires.

- NEVER operate the sauna heater without the sauna stones.

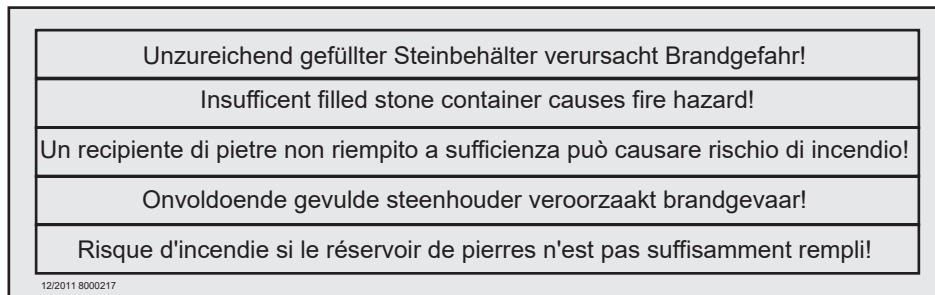
The amount of stones suited to your heater output can be found in chapter **12. Technical data** (see page **26**).

1. Wash the stones thoroughly using water and a brush before use. Do not use any cleaning additives.
2. Before filling the heater with the sauna stones, check them for foreign objects and remove any remaining packaging.
3. Lift the infusion channel **1** off the stone container **2** and stack the appropriate quantity of stones for the heater evenly in the stone tray **2**.
4. Stack the sauna stones loosely so that air can flow through the gaps. Make sure that the sauna stones do not protrude beyond the edge of the stone container.
5. Put the infusion channel **1** back on the stone container. Make sure it is correctly locked in place.



6.2. Position of the warning sign for the stone container

The warning sign supplied with the heater must be attached at a position in the sauna cabin where it can be easily seen.



6.3. Position of the “Do not cover” sign

The warning sign supplied with the heater must be attached at a position in the sauna cabin near the heater where it can be easily seen.



6.4. Heating for the first time



CAUTION!

Formation of smoke and odours when heating up for the first time

Materials used during the manufacturing process will be present on the new heating elements. These evaporate when the sauna heater is heated up for the first time. This produces smoke and an unpleasant odour. Breathing in the fumes or smoke can be harmful to your health.

Perform the following steps when **operating the sauna heater for the first time** and if the **heating elements for the sauna heater have been replaced**. This prevents damage to health due to the fumes and smoke produced when heating for the first time.

1. Select the highest possible temperature on the sauna control unit.
2. Heat up the sauna heater for half an hour.
Do NOT remain in the sauna cabin during this period.
3. Allow the sauna cabin to ventilate thoroughly after heating for the first time.
4. If no smoke or odours form the next time the sauna heater is heated, you can start to use the sauna.
If smoke or odour is produced again, leave the sauna cabin immediately and repeat the initial heating up process followed by ventilation.

7. Operation



WARNING!

Risk of fire

Combustible objects that are placed on the heater or above it in the air vents may ignite and cause fires.

- NEVER place combustible objects on the sauna heater.
 - Make sure that NO flammable objects have been placed on the heater before operating it.
-

7.1. Operating the sauna heater

A sauna control unit is used to operate the sauna heater. For information on how to operate the sauna control unit, read the operating instructions for the device used. Please note that only control units without a remote start function are permitted for use with the rear-wall heater.

7.2. Infusion

At the end of the sauna session, you can pour an infusion of water over the stones. To do this, pour water in the infusion bowl using a sauna ladle. The water evaporates and the humidity in the sauna cabin increases.



The infusion hose delays the infusion. After filling the infusion bowl, wait until all the water has passed through the hose.

When pouring water over the stones, observe the following points:

- Only use tap water. Sea water, hard water and chlorinated water can damage the sauna heater.
- Only use fragrances and essential oils that are suitable for use in saunas. Follow the manufacturer's instructions on the packaging of the scented substance.
- Do not pour the water into the infusion bowl too quickly. Only this way will all the water evaporate completely.

8. Maintenance

8.1. Extended periods of non-use

Moisture can accumulate in the heating rods in humid ambient conditions or during long periods of non-use. This is a physical process and not a manufacturing fault. Accumulation of moisture in the heating rods can lead to the FI circuit breaker being triggered. In this case, contact an electrician to correct the fault (see chapter **10. Problem-solving by the installer**).



Heat the sauna heater for approximately 15 minutes every 5 to 6 weeks. This prevents moisture from building up on the heating rods during extended periods of non-use.

8.2. Cleaning the sauna heater

Make sure that the ventilation openings are free of lint and dust. This prevents the air circulation in the sauna heater from being restricted and prevents the device from overheating.

EN

8.3. Changing the sauna stones

Sauna stones are subject to stress by the water poured on them, and by large fluctuations in temperature which occur during use. The sauna stones can become weak and brittle.

Check the sauna stones at regular intervals and replace the stones at least once a year.



WARNING!

Risk of fire due to overheating

If the sauna heater is used without sauna stones, the cabin walls will become extremely hot. This could cause fires.

- NEVER operate the sauna heater without the sauna stones.
-

1. Remove the old sauna stones.
2. Clear the stone container of limescale deposits, dust and other contamination.
3. Wash the stones thoroughly using water and a brush before use. Do not use any cleaning additives.
4. Before filling the heater with the sauna stones, check them for foreign objects and remove any remaining packaging.
5. Place the stones in the stone container. Stack the sauna stones loosely so that air can flow through the gaps.
6. Make sure that the sauna stones do not protrude beyond the edge of the stone container.

9. Disposal



- Please dispose of packaging materials in accordance with the applicable disposal regulations.
- Used appliances contain reusable materials as well as hazardous substances. Therefore, do not dispose of your used appliance with household waste, but rather do so in accordance with the locally applicable regulations.

10. Problem-solving by the installer

Baking out of the heating rods

Moisture can accumulate in the heating rods in humid ambient conditions or during long periods of non-use. This is a physical process and not a manufacturing fault. Under certain circumstances, accumulation of moisture in the heating rods can lead to the FI circuit breaker being triggered.

In this case, it is necessary to bake out the sauna heater under the supervision of an electrician. To do this, the protective function of the FI circuit breaker must be switched off. The baking out procedure takes approximately 10 minutes. The safety function of the FI circuit breaker must subsequently be reactivated.

If the problem persists, consult your supplier.

11. Spare parts

<i>Item number</i>	<i>Heating rods</i>
HWO-090NS	6 x SCA150 (1-028-518)
HWO-105NS	3 x SCA150 (1-028-518) / 3 x SCA200 (1-028-503)

<i>Item number</i>	<i>Name</i>
1-028-845	Heater protection grille for 8.0 – 10.5 kW
1-028-297	Infusion bowl

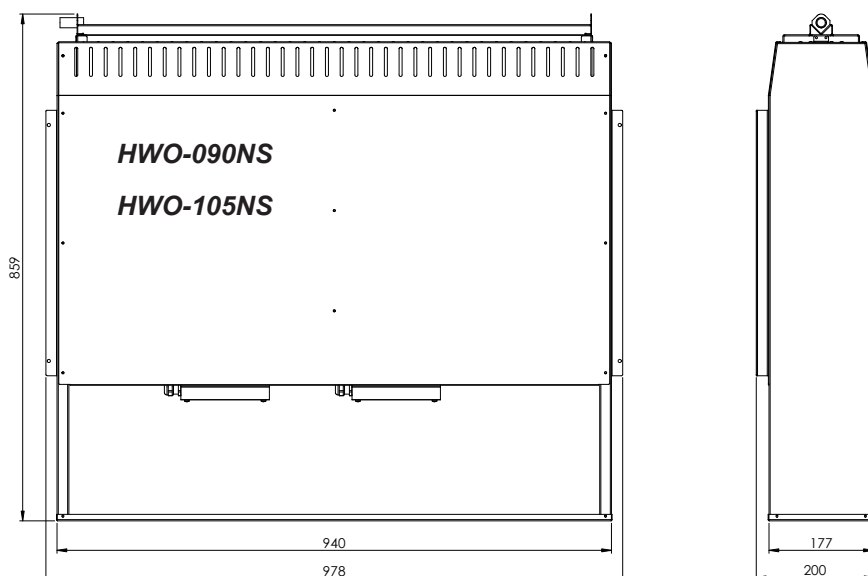
12. Technical data

<i>Item number</i>	<i>Power rating [kW]</i>	<i>Cabin volume [m³]</i>	<i>Minimum size of ventilation opening [mm]</i>	<i>Weight without stones [kg]</i>
HWO-090NS	9.0 kW	9 – 14 m ³	350 x 50	32
HWO-105NS	10.5 kW	10 – 15 m ³	350 x 60	32

<i>Item number</i>	<i>Stone weight [kg]</i>	<i>Fuse [A]</i>	<i>Supply voltage</i>
HWO-090NS	approx. 15	3 x 16 / 1 x 50	400 V AC 3N~ 50/60 Hz 230 V AC 1N~ 50/60 Hz
HWO-105NS	approx. 15	3 x 16 / 1 x 50	400 V AC 3N~ 50/60 Hz 230 V AC 1N~ 50/60 Hz

13. Dimensions

Values in mm



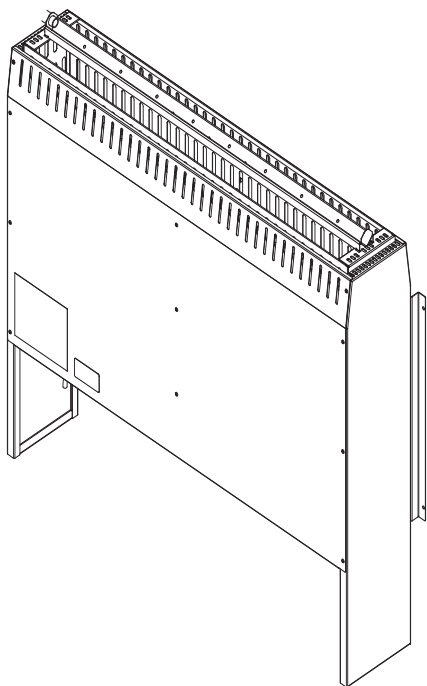
Saunaofen

Hinterwandofen

HWO-090NS-P / 1-027-800: Hinterwandofen 9,0 kW

HWO-105NS-P / 1-027-801: Hinterwandofen 10,5 kW

MONTAGE- UND GEBRAUCHSANWEISUNG Deutsch



DE

Inhaltsverzeichnis

1. Zu dieser Anleitung	4
2. Wichtige Hinweise zu Ihrer Sicherheit	5
2.1. Bestimmungsgemäßer Gebrauch	5
2.2. Sicherheitshinweise für den Monteur	5
2.3. Sicherheitshinweise für den Anwender	7
3. Produktbeschreibung	8
3.1. Lieferumfang	8
3.2. Optionales Zubehör	8
3.3. Produktfunktionen	8
4. Montage und Anschluss	9
4.1. Aufstellort	9
4.2. Sicherheitsabstände	10
4.3. Fühlerposition	11
4.4. Montage Fühleradapter	12
4.5. Befestigung des Ofens an der Saunawand	13
4.6. Montage des Aufguss Schlauches	14
5. Elektrischer Anschluss	15
5.1. Anschlussplan 400V 3N~	16
5.2. Anschlussplan 230V 1N~	17
5.3. Verdrahtungsschemen	18

6. Inbetriebnahme	19
6.1. Steinebehälter füllen.....	19
6.2. Platzierung des Hinweisschildes für den Steinbehälter.....	20
6.3. Platzierung des Hinweisschildes "nicht Abdecken".....	20
6.4. Erstmaliges Aufheizen.....	21
7. Bedienung	22
7.1. Saunaofen bedienen.....	22
7.2. Aufgießen.....	22
8. Wartung	23
8.1. Längere Betriebspausen.....	23
8.2. Saunaofen reinigen.....	23
8.3. Saunasteine wechseln.....	23
9. Entsorgung	24
10. Problemlösung durch den Monteur	25
11. Ersatzteile	25
12. Technische Daten	26
13. Abmessungen	26

1. Zu dieser Anleitung

Lesen Sie diese Montage- und Gebrauchsanweisung gut durch und bewahren Sie sie in der Nähe der Sauna auf. So können Sie jederzeit Informationen zu Ihrer Sicherheit und zur Bedienung nachlesen.



Sie finden diese Montage- und Gebrauchsanweisung auch im Downloadbereich unserer Webseite auf www.sentiotec.com/downloads.

Symbole in Warnhinweisen

In dieser Montage- und Gebrauchsanweisung ist vor Tätigkeiten, von denen eine Gefahr ausgeht, ein Warnhinweis angebracht. Befolgen Sie diese Warnhinweise unbedingt. So vermeiden Sie Sachschäden und Verletzungen, die im schlimmsten Fall sogar tödlich sein können.

In den Warnhinweisen werden Signalwörter verwendet, die folgende Bedeutungen haben:



GEFAHR!

Wenn Sie diesen Warnhinweis nicht beachten, sind Tod oder schwere Verletzungen die Folge.



WARNUNG!

Wenn Sie diesen Warnhinweis nicht beachten, können Tod oder schwere Verletzungen die Folge sein.



VORSICHT!

Wenn Sie diesen Warnhinweis nicht befolgen, können leichte Verletzungen die Folge sein.

ACHTUNG!

Dieses Signalwort warnt Sie vor Sachschäden.

Andere Symbole



Dieses Symbol kennzeichnet Tipps und nützliche Hinweise.



Nicht abdecken!



Bedienungsanleitung lesen

2. Wichtige Hinweise zu Ihrer Sicherheit

Dieser Hinterwandofen ist nach anerkannten sicherheitstechnischen Regeln gebaut. Dennoch können bei der Verwendung Gefahren entstehen. Befolgen Sie deshalb die folgenden Sicherheitshinweise und die speziellen Warnhinweise in den einzelnen Kapiteln.

2.1. Bestimmungsgemäßer Gebrauch

Dieser Hinterwandofen darf nur zur Erwärmung von Saunakabinen in Kombination mit einer Saunasteuerung ohne Fernstartfunktion verwendet werden.

Jeder darüber hinausgehende Gebrauch gilt als nicht bestimmungsgemäß. Nicht bestimmungsgemäßer Gebrauch kann zur Beschädigung des Produkts, zu schweren Verletzungen oder Tod führen.

2.2. Sicherheitshinweise für den Monteur

- Montage- und Anschlussarbeiten am Saunaofen dürfen nur im spannungsfreien Zustand durchgeführt werden.
- Die Montage darf nur durch eine Elektrofachkraft oder eine vergleichsweise qualifizierte Person ausgeführt werden.
- Es ist bauseits eine allpolige Trennvorrichtung mit voller Abschaltung entsprechend der Überspannungskategorie III vorzusehen.
- Verwenden Sie zum Anschluss des Saunaofens ausschließlich bis 150 °C temperaturbeständige Silikonleitungen.
- Installieren Sie nur einen Saunaofen in der Kabine. Der Hinterwandofen darf nicht gemeinsam mit anderen Saunaofen in einer Saunakabine verwendet werden.

- Decken und Wände der Saunakabine sind aus harzarmen, unbehandelten oder thermisch behandelten Hölzern, z.B. nordischer Fichte, Hemlock, Kiefer oder Tanne, oder aus Holzlagen-Werkstoffen herzustellen. Bei Verwendung von Holzlagen-Werkstoffen ist darauf zu achten, dass deren Klebstoffe kein Formaldehyd abgeben. Werden andere Werkstoffe als Holz in der Saunakabine eingesetzt, müssen diese Materialien hitze- und korrosionsbeständig sein und dürfen keine negativen Auswirkungen auf die Gesundheit der Saunagäste haben.
- Die Höhe der Saunakabine muss mindestens 1,9 m betragen.
- Beachten Sie die Vorgaben zum Volumen und zur Belüftung der Saunakabine in Kapitel **12. Technische Daten** auf Seite 28.
- Beachten Sie beim Aufstellen des Saunofens die minimalen Sicherheitsabstände (siehe Kapitel **4.2. Sicherheitsabstände**).
- Beachten Sie auch die örtlichen Bestimmungen am Aufstellort.
- Bei Problemen, die in den Montageanweisungen nicht ausführlich genug behandelt werden, wenden Sie sich zu Ihrer eigenen Sicherheit an Ihren Lieferanten.

2.3. Sicherheitshinweise für den Anwender

- Das Gerät darf nicht von Kindern unter 8 Jahren verwendet werden.
- Das Gerät darf von Kindern über 8 Jahren, von Personen mit verringerten psychischen, sensorischen oder mentalen Fähigkeiten und von Personen mit Mangel an Erfahrung und Wissen unter folgenden Bedingungen verwendet werden:
 - wenn sie beaufsichtigt werden.
 - wenn ihnen die sichere Verwendung gezeigt wurde und sie die Gefahren, die entstehen können, verstehen.
- Kinder dürfen nicht mit dem Gerät spielen.
- Kinder unter 14 Jahren dürfen das Gerät nur reinigen, wenn sie beaufsichtigt werden.
- Wenn Sie unter dem Einfluss von Alkohol, Medikamenten oder Drogen stehen, verzichten Sie aus gesundheitlichen Gründen auf das Saunabad.
- Nehmen Sie den Saunaofen niemals ohne Saunasteine in Betrieb, da dies Brände verursachen kann.
- Stellen Sie sicher, dass keine brennbaren Gegenstände auf dem Saunaofen liegen, bevor Sie die Saunasteuerung einschalten.
- Heizen Sie VOR dem ersten Saunabad den Saunaofen für eine halbe Stunde auf. Halten Sie sich während dieser Zeit NICHT in der Saunkabine auf. Lüften Sie anschließend die Saunakabine gut durch (siehe **6.4. Erstmaliges Aufheizen** auf Seite 21).
- Berühren Sie niemals den Saunaofen während des Betriebs. Die Oberfläche des Saunaofens und die Saunasteine werden sehr heiß.
- Bei Problemen, die in der Gebrauchsanweisung nicht ausführlich genug behandelt werden, wenden Sie sich zu Ihrer eigenen Sicherheit an Ihren Lieferanten.

3. Produktbeschreibung

3.1. Lieferumfang

- Saunaofen
- Montagematerial
- Schutzgitter
- Fühleradapter (nur HWO-080 bis HWO-105)
- Aufgusschlauch mit Aufgusschale
- Aufkleber „Warnhinweise Steinbehälter“ und „Nicht Abdecken“
- Montage- und Gebrauchsanweisung

3.2. Optionales Zubehör

<i>Zubehör</i>	<i>Artikelnummer</i>
Leistungserweiterung	O-S2-18 / O-S2-18S / O-S2-30

3.3. Produktfunktionen

Dieser Hinterwandofen ist ein finnischer Saunaofen und ermöglicht die Erzeugung des für die finnische Sauna typischen Saunaklimas von 80 bis 100 °C bei einer Luftfeuchtigkeit von ca. 10 %.

Über den Aufgusschlauch kann Wasser auf die Saunasteine gegossen werden. Dadurch wird das Wasser verdampft und die Luftfeuchtigkeit in der Saunakabine erhöht.

4. Montage und Anschluss

Berücksichtigen Sie folgende Punkte beim Aufstellen und beim Anschluss des Saunaofens:



WARNUNG!

Stromschlag-Gefahr

- Führen Sie Montage- und Anschlussarbeiten am Saunaofen nur im spannungsfreien Zustand durch.
-

- Der elektrische Anschluss darf nur durch eine Elektrofachkraft oder eine vergleichsweise qualifizierte Person ausgeführt werden.
- Es ist bauseits eine allpolige Trennvorrichtung mit voller Abschaltung entsprechend der Überspannungskategorie III vorzusehen.
- Platzieren sie den Saunaofen nicht auf einem Boden aus einem leicht brennbarem Material wie Holz oder Kunststoff. Geeignete Bodenbeläge sind z.B. Keramikfliesen.

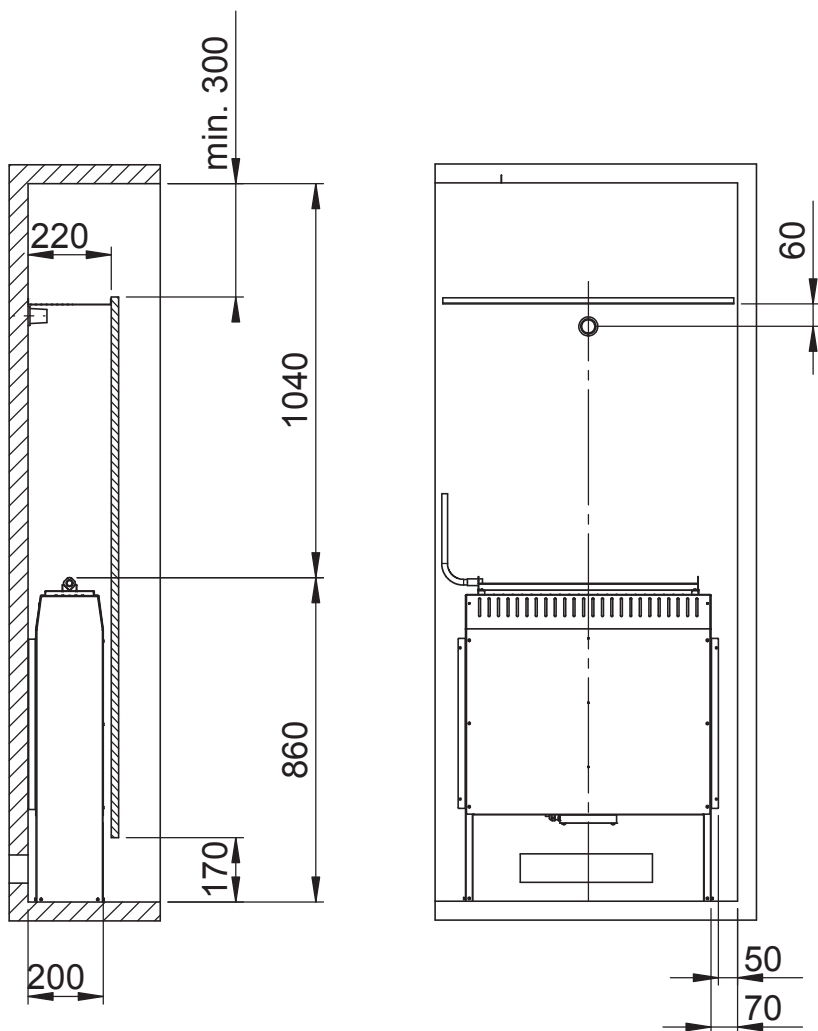
4.1. Aufstellort

Stellen Sie den Ofen mittig vor die Lufteintrittsöffnung in der Kabinenwand. Halten Sie dabei die in **Abb.1** angegebenen Sicherheitsabstände zur Kabinenwand ein.

4.2. Sicherheitsabstände

Beachten Sie die in der **Abb.1** angegebenen minimalen Sicherheitsabstände.

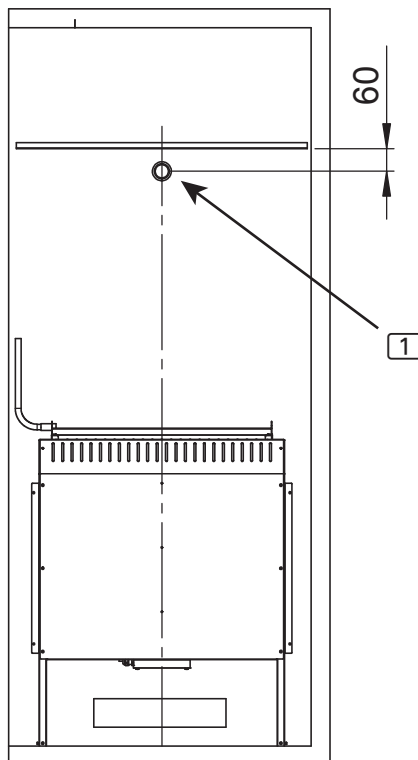
Abb.1 Sicherheitsabstände Hinterwandofen
(HWO-090NS-P / HWO-105NS-P)
Maße in mm



4.3. Fühlerposition

Entgegen zur Fühlermontage Ihres Saunasteuergerätes, wird der Ofenfühler wie in **Abb.2** montiert. Montieren Sie den Ofenfühler **1** mittig über dem Ofen, 60 mm (Fühlermitte) unterhalb des Schutzgitters. Beachten Sie auch die unter „**Sicherheitsabstände**“ auf **Seite 10** angegebenen Maße bezüglich des Schutzgitters.

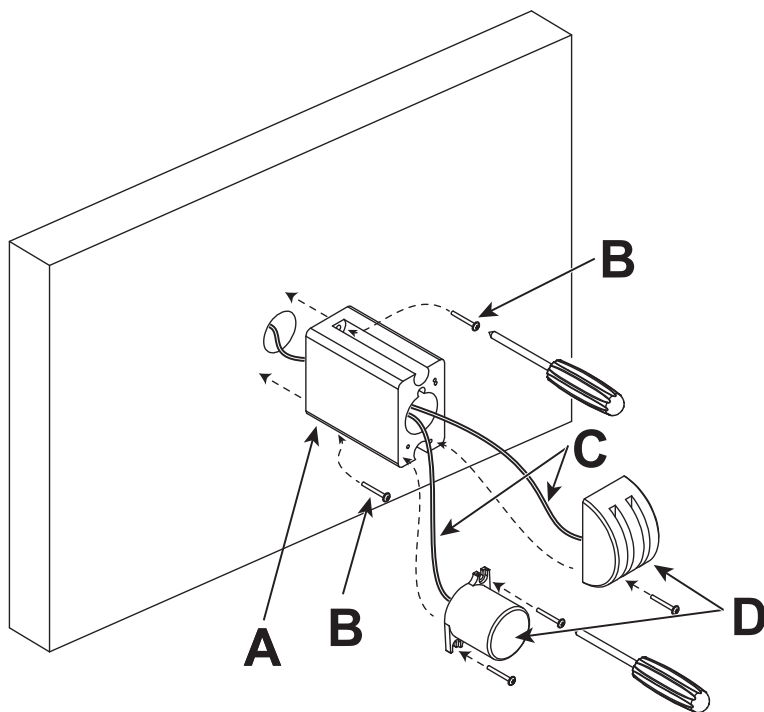
Abb.2



4.4. Montage Fühleradapter

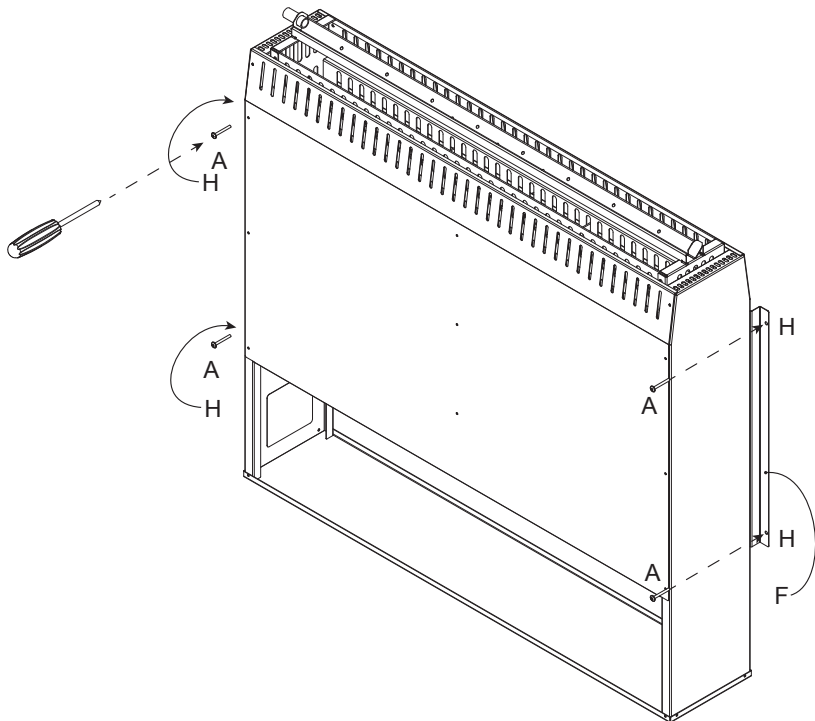
Befestigen Sie den Fühleradapter **A** (im Lieferumfang des Ofens enthalten) an der unter „Fühlerposition“ auf **Seite 11** angegebenen Position mit den Holzschrauben **B** an der Saunawand.

Führen Sie die Fühlerkabel **C** durch den Fühleradapter **A** und die Saunawand. Montieren Sie nun den Fühler **D** an der Stirnseite des Fühleradapters **A**. Achten Sie darauf, dass die Schrauben in die vorgegebenen Körnungen treffen.



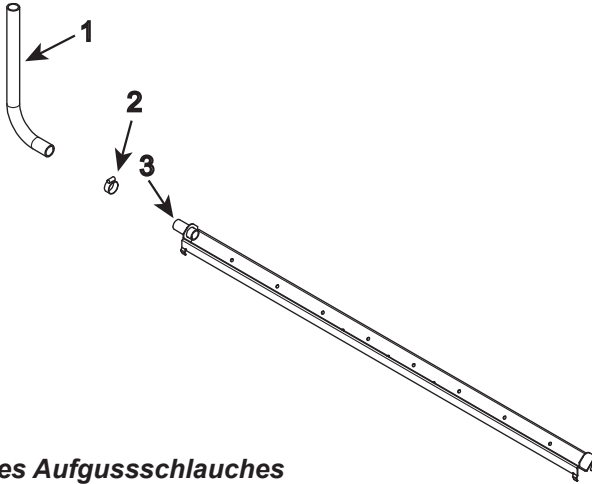
4.5. Befestigung des Ofens an der Saunawand

Um den Ofen zu fixieren und gegen verrutschen oder umfallen zu sichern, befestigen Sie diesen mit den mitgelieferten Holzschrauben **A** durch die Befestigungsbohrungen **H** in den beidseitig vorhandenen Montageflanschen **F**.



4.6. Montage des Aufgusseschlauches

Stecken Sie die Schlauchschelle [2] in geöffnetem Zustand auf den Aufgusseschlauch [1]. Schieben Sie den Schlauch über das Anschlussstück [3]. Ziehen Sie die Schlauchschelle mit einem Schraubendreher fest.



Verlegen des Aufgusseschlauches

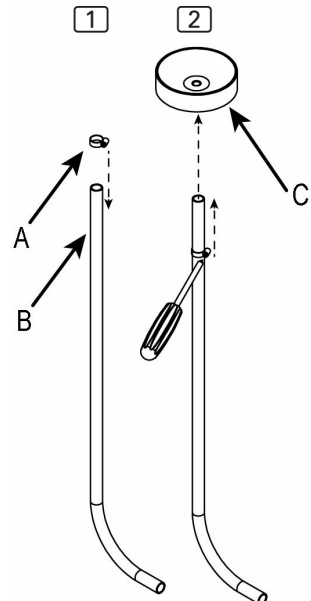
Achten Sie beim Verlegen des Schlauches auf ein durchgehendes Gefälle. Wasser, welches sich in Senken sammelt kann nach längeren Betriebspausen zur Beeinträchtigung der Luftqualität führen.

[1]

Öffnen Sie die Schlauchschelle **A** vollständig und geben Sie diese über den Aufgusseschlauch **B**.

[2]

Führen Sie nun den Aufgusseschlauch über das Anschlussstück der Aufgusschale **C**. Fixieren Sie den Schlauch mit der Schlauchschelle **A**.



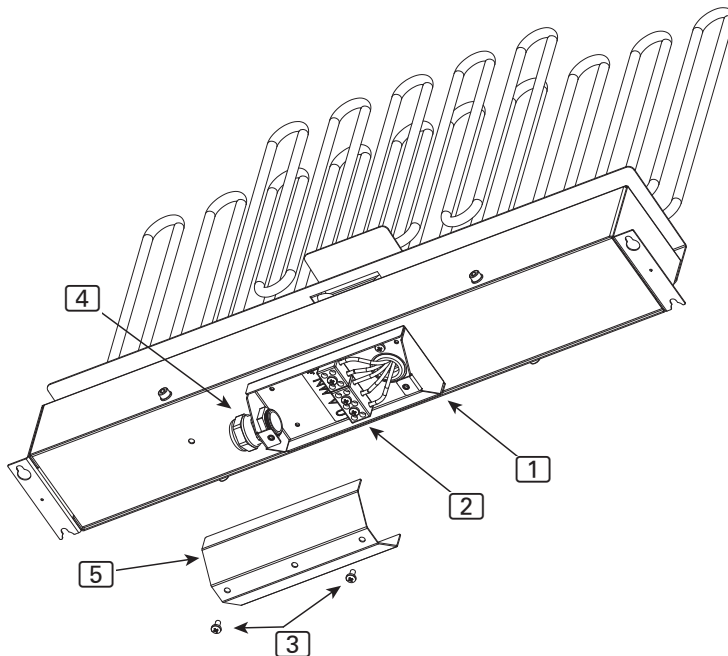
5. Elektrischer Anschluss



ACHTUNG! Stromschlag-Gefahr

- Führen Sie Montage- und Anschlussarbeiten am Saunaofen nur im spannungsfreien Zustand durch.

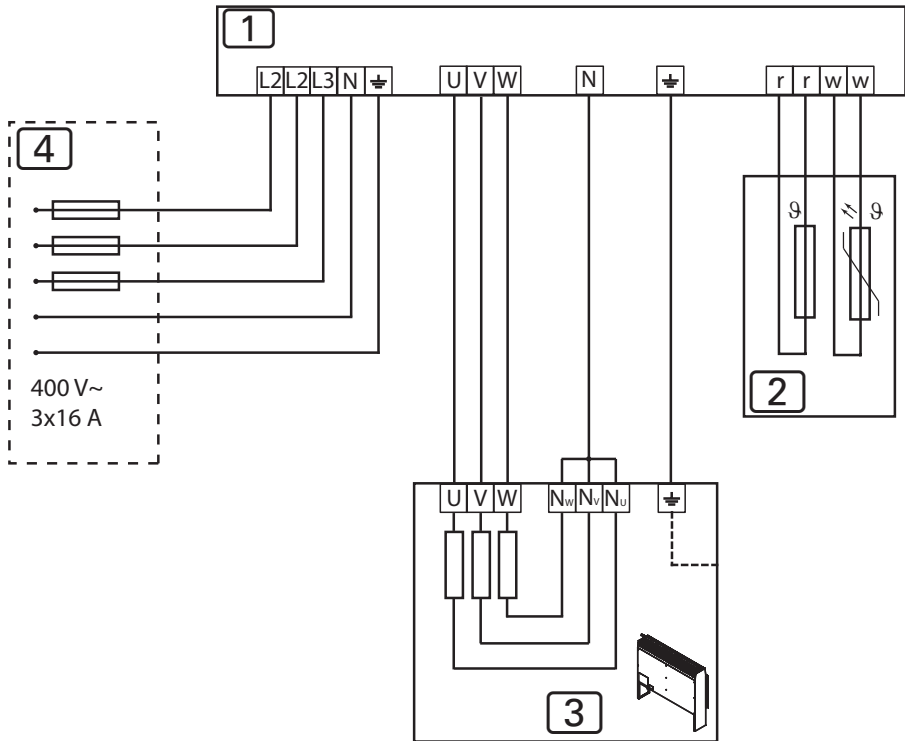
1. Lösen Sie die Schrauben [3] der Abdeckung [5].
2. Ziehen Sie die Abdeckung [5] von der Anschlussbox [1] ab.
3. Ziehen Sie das Kabel durch die Durchführung [4].
4. Schließen Sie die Adern U – V – W – N – PE des Kabels an die entsprechenden Klemmen [2] an.



5. Ziehen Sie die Durchführung [4] fest.
6. Setzen Sie die Abdeckung [5] wieder auf die Anschlussbox [1] auf und befestigen Sie mit den Schrauben [3].

5.1. Anschlussplan 400V 3N~

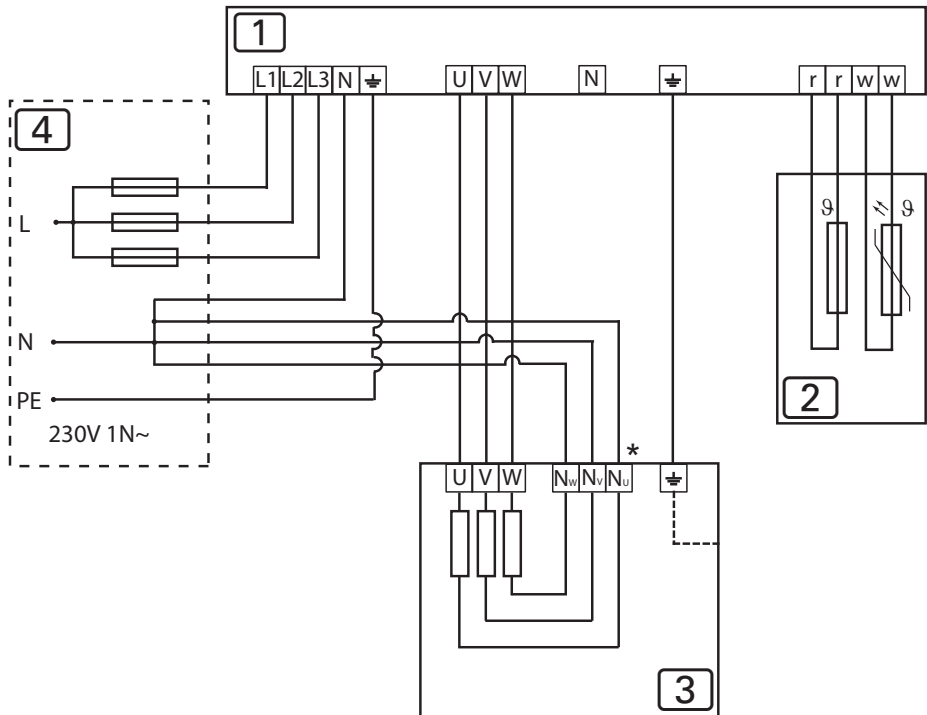
Abb.3 Anschlussplan
(HWO-090NS-P / HWO-105NS-P)



- 1 Saunasteuerung
- 2 Temperaturfühler mit Übertemperatur-Sicherung
- 3 Hinterwandofen
- 4 Stromversorgung

5.2. Anschlussplan 230V 1N~

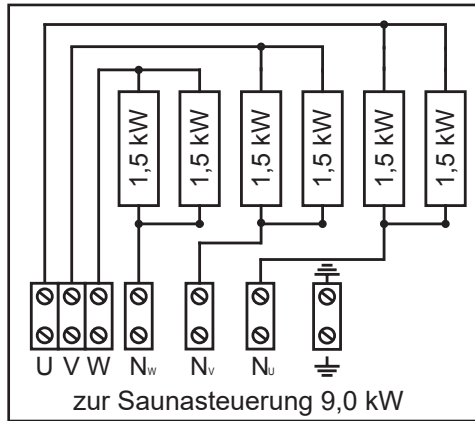
Abb.4 Anschlussplan
(HWO-090NS-P / HWO-105NS-P)



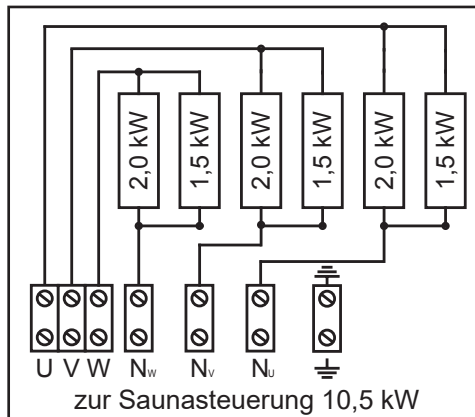
- 1 Saunasteuerung
- 2 Temperaturfühler mit Übertemperatur-Sicherung
- 3 Hinterwandofen
- 4 Stromversorgung
- * Kupfer-Brücke entfernen

5.3. Verdrahtungsschemen

HWO-090NS



HWO-105NS



6. Inbetriebnahme

6.1. Steinebehälter füllen



WARNUNG!

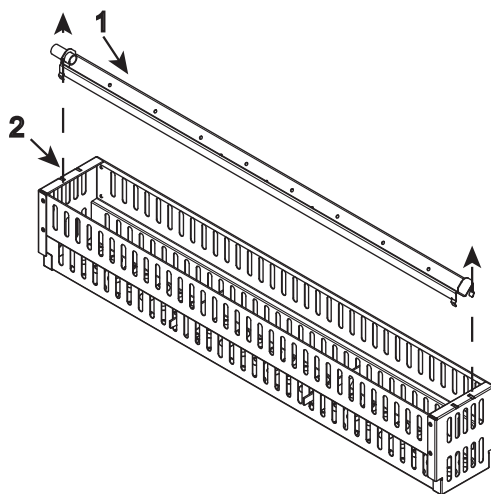
Brandgefahr durch Überhitzung

Wird der Saunaofen ohne Saunasteine verwendet, erhitzen sich die Kabinenwände stark. Dadurch können Brände verursacht werden.

- Nehmen Sie den Saunaofen NIEMALS ohne Saunasteine in Betrieb.

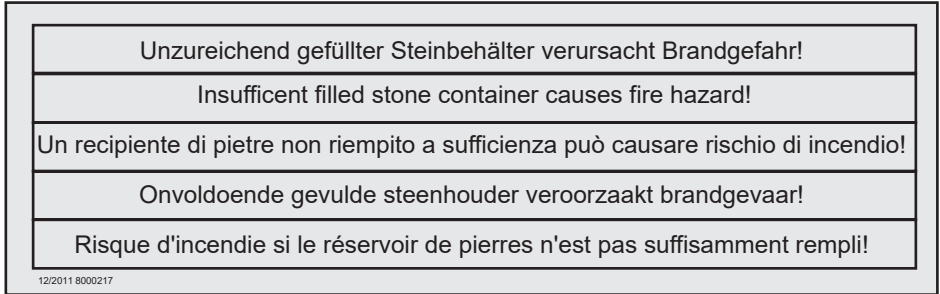
Die für Ihre Ofenleistung passende Steinmenge finden Sie in im Kapitel **12. Technische Daten** siehe Seite **26**.

1. Waschen Sie die Saunasteine vor der Verwendung gründlich mit Bürste und Wasser. Verwenden Sie keine Reinigungszusätze.
2. Prüfen Sie die Steine vor dem Einfüllen in den Saunaofen auf Fremdkörper und entfernen Sie Verpackungsreste.
3. Ziehen Sie die Aufgussrinne **1** vom Steinbehälter **2** nach oben ab und schichten Sie die dem Ofen entsprechende Steinmenge gleichmäßig in den Steinkorb **2**.
4. Schichten Sie die Saunasteine locker, damit Luft durch die Zwischenräume strömen kann. Achten Sie darauf, dass die Saunasteine nicht über den Rand des Steinbehälters ragen.
5. Setzen Sie die Aufgussrinne **1** wieder in den Steinbehälter ein. Achten Sie darauf, dass diese korrekt eingerastet ist.



6.2. Platzierung des Hinweisschildes für den Steinbehälter

Das im Lieferumfang des Ofens enthaltene Hinweisschild muss gut sichtbar innerhalb der Kabine angebracht werden.



6.3. Platzierung des Hinweisschildes "nicht Abdecken"

Das im Lieferumfang des Ofens enthaltene Hinweisschild muss gut sichtbar innerhalb der Kabine und in der Nähe des Ofens angebracht werden.



6.4. Erstmaliges Aufheizen



VORSICHT!

Rauch- und Geruchsbildung beim ersten Aufheizen

Auf neuen Heizstäben befinden sich Betriebsstoffe aus dem Fertigungsprozess. Diese zersetzen sich beim ersten Aufheizen des Saunaofens. Dabei entsteht Rauch und unangenehmer Geruch. Wenn Sie diese Dämpfe oder den Rauch einatmen, schadet dies Ihrer Gesundheit.

Führen Sie folgende Schritte durch, wenn Sie Ihren Saunaofen **erstmalig in Betrieb** nehmen und wenn die **Heizstäbe Ihres Saunaofens getauscht** wurden. Sie verhindern so Gesundheitsschäden durch Dämpfe und Rauch, die beim ersten Aufheizen entstehen.

1. Wählen Sie an der Saunasteuerung die höchst mögliche Temperatur.
2. Heizen den Saunaofen für eine halbe Stunde auf.
Halten Sie sich während dieser Zeit NICHT in der Saunakabine auf.
3. Lüften Sie nach dem ersten Aufheizen die Saunakabine gut durch.
4. Wenn beim nächsten Aufheizen kein Rauch und kein Geruch mehr entstehen, können Sie mit dem ersten Saunabad beginnen.
Wenn erneut Rauch oder Geruch entsteht, verlassen Sie sofort die Saunakabine und wiederholen Sie das erstmalige Aufheizen mit anschließendem Lüften.

7. Bedienung



WARNUNG!

Brandgefahr

Brennbare Gegenstände, die auf dem heißen Saunaofen oder über dem Ofen in den Luftschränken liegen, entzünden sich und verursachen Brände.

- Legen Sie **NIEMALS** brennbare Gegenstände auf den Saunaofen.
 - Stellen Sie sicher, dass **KEINE** brennbaren Gegenstände auf dem Saunaofen liegen, bevor Sie den Saunaofen in Betrieb nehmen.
-

7.1. Saunaofen bedienen

Die Bedienung des Saunaofens erfolgt über eine Saunasteuerung. Für Informationen zur Bedienung der Saunasteuerung lesen Sie die Bedienungsanleitung des verwendeten Geräts. Beachten Sie, dass der Hinterwandofen nur für Saunasteuerungen ohne Fernstartfunktion geeignet ist.

7.2. Aufgießen

Am Ende des Saunaganges können Sie einen Aufguss durchführen. Gießen Sie dazu Wasser mit einer Saunakelle in die Aufgusschale. Dadurch wird das Wasser verdampft und die Luftfeuchtigkeit in der Saunakabine erhöht.



Durch den Aufguss Schlauch findet der Aufguss verzögert statt. Warten Sie nach jedem Füllen der Aufgusschale bis das Wasser vollständig durchgelaufen ist.

Beachten sie beim Aufguss folgende Punkte:

- Verwenden Sie zum Aufgießen nur Leitungswasser. Meerwasser, stark kalkhaltiges und chloriertes Wasser können den Saunaofen beschädigen.
- Verwenden Sie nur Duftstoffe und ätherische Öle, die ausdrücklich für die Verwendung als Aufgussmittel in Saunen geeignet sind. Beachten Sie die Herstellerangaben auf der Verpackung der Aufgussmittel.
- Gießen Sie das Wasser nicht zu schnell in die Aufgusschale. Nur dann wird das Aufgusswasser vollständig verdampft.

8. Wartung

8.1. Längere Betriebspausen

Bei feuchten Umgebungsbedingungen oder langen Betriebspausen reichert sich Feuchtigkeit in den Heizstäben an. Dies ist ein physikalischer Vorgang und kein Fehler des Herstellers. Die Feuchtigkeit in den Heizstäben kann zum Auslösen des FI-Schutzschalters führen. Verständigen Sie in diesem Fall zur Fehlerbehebung eine Elektrofachkraft (siehe Kapitel **10. Problemlösung durch den Monteur**).



Heizen Sie den Saunaofen alle 5 bis 6 Wochen für ca. 15 Minuten auf. So verhindern Sie, dass sich bei längeren Betriebspausen Wasser in den Heizstäben anreichert.

8.2. Saunaofen reinigen

Achten Sie darauf, dass die Belüftungsöffnungen frei von Flusen und Staub sind. So verhindern Sie, dass die Luftzirkulation im Saunaofen eingeschränkt wird und das Gerät überhitzt.

8.3. Saunasteine wechseln

Saunasteine werden durch Aufgussmittel und große Temperaturunterschiede, die bei der Benutzung auftreten, beansprucht. Die Saunasteine können angegriffen und brüchig werden.

Überprüfen Sie die Saunasteine in regelmäßigen Abständen und tauschen Sie die Steine mindestens einmal jährlich.



WARNUNG!

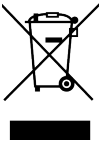
Brandgefahr durch Überhitzung

Wird der Saunaofen ohne Saunasteine verwendet, erhitzen sich die Kabinenwände stark. Dadurch können Brände verursacht werden.

- Nehmen Sie den Saunaofen **NIEMALS** ohne Saunasteine in Betrieb.
-

1. Entfernen Sie die alten Saunasteine.
2. Befreien Sie den Steinbehälter von Kalkrückständen, Staub und anderen Verunreinigungen.
3. Waschen Sie die Saunasteine vor der Verwendung gründlich mit Bürste und Wasser. Verwenden Sie keine Reinigungszusätze.
4. Prüfen Sie die Steine vor dem Einfüllen in den Saunaofen auf Fremdkörper und entfernen Sie Verpackungsreste.
5. Legen Sie die Saunasteine in den Steinbehälter. Schichten Sie die Saunasteine locker, damit Luft durch die Zwischenräume strömen kann.
6. Achten Sie darauf, dass die Saunasteine nicht über den Rand des Steinbehälters ragen.

9. Entsorgung



- Entsorgen Sie die Verpackungsmaterialien nach den gültigen Entsorgungsrichtlinien.
- Altgeräte enthalten wiederverwendbare Materialien, aber auch schädliche Stoffe. Geben Sie Ihr Altgerät deshalb auf keinen Fall in den Restmüll, sondern entsorgen Sie das Gerät nach den örtlich geltenden Vorschriften.

10. Problemlösung durch den Monteur

Heizstäbe ausheizen

Bei feuchten Umgebungsbedingungen oder langen Betriebspausen kann es zu einer Anreicherung von Feuchtigkeit in den Heizstäben kommen. Dies ist ein physikalischer Vorgang und kein Fehler des Herstellers. Die Feuchtigkeit in den Heizstäben kann unter Umständen zum Auslösen des FI-Schutzschalters führen.

In diesem Fall ist es notwendig, den Saunaofen unter Aufsicht einer Elektrofachkraft auszuheizen. Dabei muss die Schutzfunktion des FI-Schalters außer Kraft gesetzt werden. Der Ausheizvorgang nimmt ca. 10 Minuten in Anspruch. Danach muss die Sicherungsfunktion des FI-Schalters wiederhergestellt werden.

Sollte das Problem weiterhin bestehen, wenden Sie sich an Ihren Lieferanten.

11. Ersatzteile

<i>Artikelnummer</i>	<i>Heizstäbe</i>
HWO-090NS	6 x SCA150 (1-028-518)
HWO-105NS	3 x SCA150 (1-028-518) / 3 x SCA200 (1-028-503)

DE

<i>Artikelnummer</i>	<i>Bezeichnung</i>
1-028-845	Ofenschutzgitter für 8,0 - 10,5 kW
1-028-297	Aufgusschale

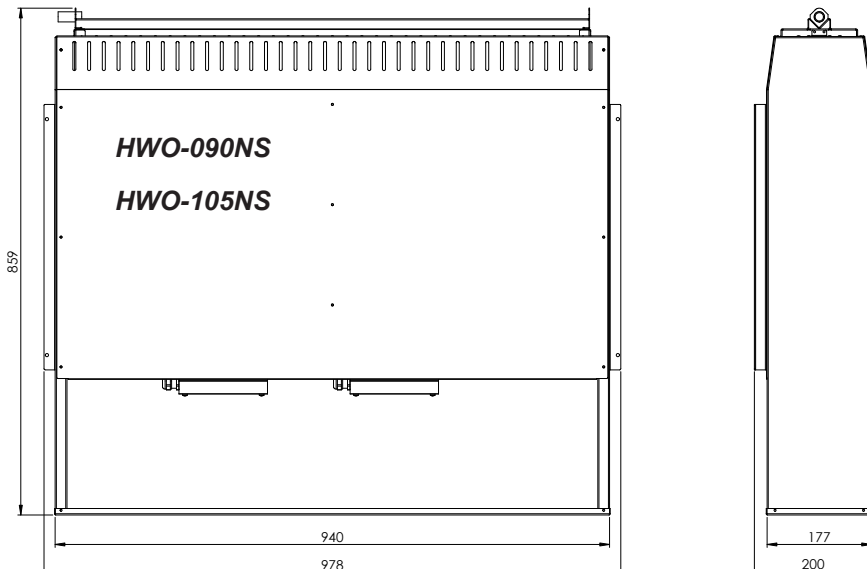
12. Technische Daten

Artikelnummer	Leistung [kW]	Kabinenvolumen [m ³]	Mindestgröße Belüftungsöffnung [mm]	Gewicht ohne Steine [kg]
HWO-090NS	9,0 kW	9 - 14 m ³	350 x 50	32
HWO-105NS	10,5 kW	10 - 15 m ³	350 x 60	32

Artikelnummer	Steinmenge [kg]	Absicherung [A]	Versorgung
HWO-090NS	ca. 15	3 x 16 / 1 x 50	400 V AC 3N~ 50/60 Hz 230 V AC 1N~ 50/60 Hz
HWO-105NS	ca. 15	3 x 16 / 1 x 50	400 V AC 3N~ 50/60 Hz 230 V AC 1N~ 50/60 Hz

13. Abmessungen

Angaben in mm.



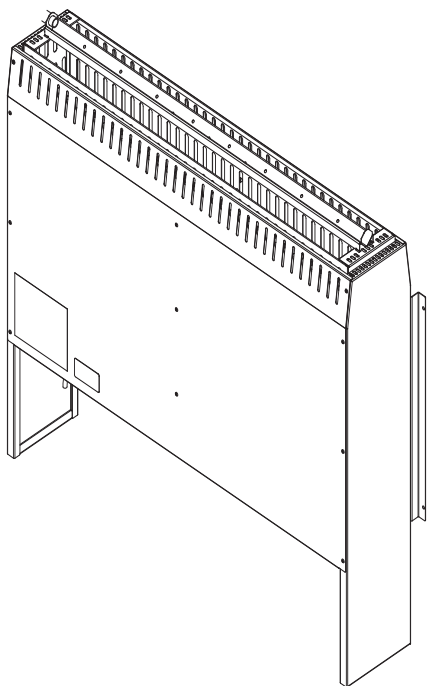
Poêle de sauna

Poêle en arrière de cloison

HWO-090NS-P / 1-027-800 : Poêle en arrière de cloison 9,0 kW

HWO-105NS-P / 1-027-801 : Poêle en arrière de cloison 10,5 kW

INSTRUCTIONS DE MONTAGE ET MODE D'EMPLOI Français



FR

Table des matières

1. Concernant ces instructions	4
2. Remarques importantes pour votre sécurité	5
2.1. Usage conforme	5
2.2. Consignes de sécurité pour le monteur	5
2.3. Consignes de sécurité pour l'utilisateur	7
3. Description du produit	8
3.1. Contenu de la livraison	8
3.2. Accessoires optionnels	8
3.3. Fonctions du produit	8
4. Montage et raccordement	9
4.1. Lieu d'installation	9
4.2. Distances de sécurité	10
4.3. Position de la sonde	11
4.4. Montage de l'adaptateur de la sonde	12
4.5. Fixation du poêle à la paroi du sauna	13
4.6. Montage du tuyau d'arrosage	14
5. Branchements électriques	15
5.1. Schéma de raccordement 400V 3N~	16
5.2. Schéma de raccordement 230V 1N~	17
5.3. Schémas de câblage	18

6. Mise en service	19
6.1. Remplissage du réservoir de pierres.....	19
6.2. Placement du panneau d'avertissement sur le réservoir de pierres...	20
6.3. Placement du panneau d'avertissement « Ne pas couvrir ».....	20
6.4. Premier chauffage.....	21
7. Utilisation	22
7.1. Commande du poêle de sauna.....	22
7.2. Arrosage.....	22
8. Entretien	23
8.1. Périodes d'arrêt prolongées.....	23
8.2. Nettoyage du poêle de sauna.....	23
8.3. Remplacement des pierres à sauna.....	23
9. Élimination	24
10. Dépannage par le monteur	25
11. Pièces de rechange	25
12. Caractéristiques techniques	26
13. Dimensions	26

1. Concernant ces instructions

Lisez attentivement ces instructions de montage et ce mode d'emploi et conservez-les à proximité du sauna. Ainsi, vous pourrez consulter à tout moment des informations concernant son utilisation et relatives à votre sécurité.



Ces instructions de montage et ce mode d'emploi sont également disponibles dans la rubrique de téléchargement de notre site Internet www.sentiotec.com/downloads.

Symboles d'avertissement

Dans les instructions de montage et le mode d'emploi, un avertissement précède les activités représentant un danger. Conformez-vous impérativement à ces avertissements. Vous éviterez ainsi des dommages matériels et des blessures qui, dans le pire des cas, peuvent être mortelles.

Ces avertissements utilisent des termes clés qui ont la signification suivante :



DANGER !

Le non-respect de cet avertissement entraîne un risque de blessures graves, voire mortelles.



AVERTISSEMENT !

Le non-respect de cet avertissement entraîne un risque éventuel de blessures graves, voire mortelles.



PRUDENCE !

Le non-respect de cet avertissement entraîne un risque éventuel de blessures légères.

ATTENTION !

Ce terme clé vous avertit de dommages matériels éventuels.

Autres symboles



Ce symbole désigne les conseils et indications utiles.



Ne pas couvrir !



Lire le mode d'emploi

2. Remarques importantes pour votre sécurité

Ce poêle en arrière de cloison est conçu selon des règles techniques de sécurité reconnues. Cependant, des dangers peuvent survenir lors de l'utilisation. C'est pourquoi vous devez suivre les consignes de sécurité suivantes et les avertissements spécifiques des différents chapitres.

2.1. Usage conforme

Le poêle en arrière de cloison doit être utilisé exclusivement pour chauffer des cabines de sauna, en combinaison avec une commande de sauna sans fonction de démarrage à distance.

Toute autre utilisation est considérée comme un usage non conforme. Un usage non conforme peut endommager le produit et provoquer de graves blessures, voire la mort.

2.2. Consignes de sécurité pour le monteur

- Les travaux de montage et de raccordement du poêle de sauna doivent être effectués uniquement lorsque l'appareil est hors tension.
- Seul un électricien spécialisé ou une personne ayant une qualification similaire est habilité à procéder au montage.
- Un dispositif de coupure totale du circuit sur tous les pôles selon la catégorie de surtension III doit être prévu par le client.
- Pour le raccordement du poêle de sauna, utilisez exclusivement des lignes en silicone résistant à des températures allant jusqu'à 150 °C.
- Installez un seul poêle de sauna par cabine. Le poêle en arrière de cloison ne doit pas être utilisé avec d'autres poêles pour sauna dans une même cabine de sauna.

- Les plafonds et parois de la cabine de sauna doivent être fabriqués en bois peu résineux, non traités ou traités thermiquement, par ex. pin nordique, tsuga, pin ou sapin, ou en matériaux composés de couches de bois. En cas d'utilisation de matériaux composés de couches de bois, veillez à ce que leurs colles n'émettent pas de formaldéhyde. Si d'autres matériaux que le bois sont utilisés dans la cabine de sauna, ils doivent résister à la chaleur et à la corrosion et ne doivent avoir aucun effet négatif sur la santé des utilisateurs du sauna.
- La cabine de sauna doit mesurer au moins 1,9 m de hauteur.
- Respectez les indications concernant le volume et la ventilation de la cabine de sauna du chapitre **12. Caractéristiques techniques**.
- Lors de l'installation du poêle en arrière de cloison, respectez les distances minimales de sécurité (voir chapitre **4.2. Distances de sécurité**).
- Respectez également les dispositions légales du lieu d'installation.
- En cas de problèmes insuffisamment traités dans les instructions de montage, adressez-vous à votre fournisseur pour votre propre sécurité.

2.3. Consignes de sécurité pour l'utilisateur

- L'appareil ne doit pas être utilisé par des enfants de moins de 8 ans.
- L'appareil peut être utilisé par des enfants de plus de 8 ans, par des personnes ayant des capacités psychiques, sensorielles ou mentales limitées et par des personnes manquant d'expérience et de connaissances dans les conditions suivantes :
 - lorsqu'ils sont surveillés.
 - lorsque l'utilisation en toute sécurité leur a été expliquée et qu'ils comprennent les dangers qui peuvent survenir.
- Les enfants ne doivent pas jouer avec l'appareil.
- Les enfants de moins de 14 ans peuvent nettoyer l'appareil uniquement s'ils sont surveillés.
- Pour des raisons de santé, n'utilisez pas le sauna lorsque vous êtes sous l'influence d'alcool, de médicaments ou de drogues.
- Ne faites jamais fonctionner le poêle de sauna sans pierres à sauna, cela pourrait provoquer des incendies.
- Assurez-vous qu'aucun objet inflammable ne se trouve sur le poêle de sauna avant de mettre en marche la commande.
- AVANT de commencer à utiliser le sauna, faites chauffer le poêle de sauna pendant une demi-heure. Pendant ce temps, NE restez PAS dans la cabine de sauna. Ensuite, aérez bien la cabine de sauna (voir **6.4. Premier chauffage** à la page **21**).
- Ne touchez jamais le poêle de sauna pendant son fonctionnement. Les surfaces du poêle de sauna et les pierres à sauna sont très chaudes.
- Pour votre sécurité, adressez-vous à votre fournisseur si le mode d'emploi ne traite pas exhaustivement de certains problèmes.

3. Description du produit

3.1. Contenu de la livraison

- Poêle de sauna
- Matériel de montage
- Grille de protection
- Adaptateur de sonde (uniquement HWO-080 à HWO-105)
- Tuyau et bol d'arrosage
- Autocollants « Avertissements réservoir de pierres » et « Ne pas couvrir »
- Instructions de montage et mode d'emploi

3.2. Accessoires optionnels

<i>Accessoires</i>	<i>Numéro de produit</i>
Module d'extension de puissance	O-S2-18 / O-S2-18S / O-S2-30

3.3. Fonctions du produit

Le poêle en arrière de cloison est un poêle de sauna finlandais et permet de créer le climat typique du sauna finlandais, à savoir une température de 80 à 100 °C, avec une humidité de l'air d'environ 10 %.

De l'eau peut être versée sur les pierre de sauna grâce au tuyau. Cela fait évaporer l'eau et augmente l'humidité de l'air dans la cabine.

4. Montage et raccordement

Tenez compte des points suivants lors de l'installation et du raccordement du poêle de sauna :



AVERTISSEMENT ! **Risque d'électrocution**

- Effectuez les travaux de montage et de raccordement du poêle de sauna uniquement lorsque celui-ci est hors tension.
- Seul un électricien spécialisé ou une personne ayant une qualification similaire est habilité à procéder au raccordement électrique.
- Un dispositif de coupure totale du circuit sur tous les pôles selon la catégorie de surtension III doit être prévu par le client.
- Ne placez pas le poêle de sauna sur un plancher en matériau facilement inflammable comme le bois ou le plastique. Les revêtements de sol adaptés sont par ex. du carrelage en céramique.

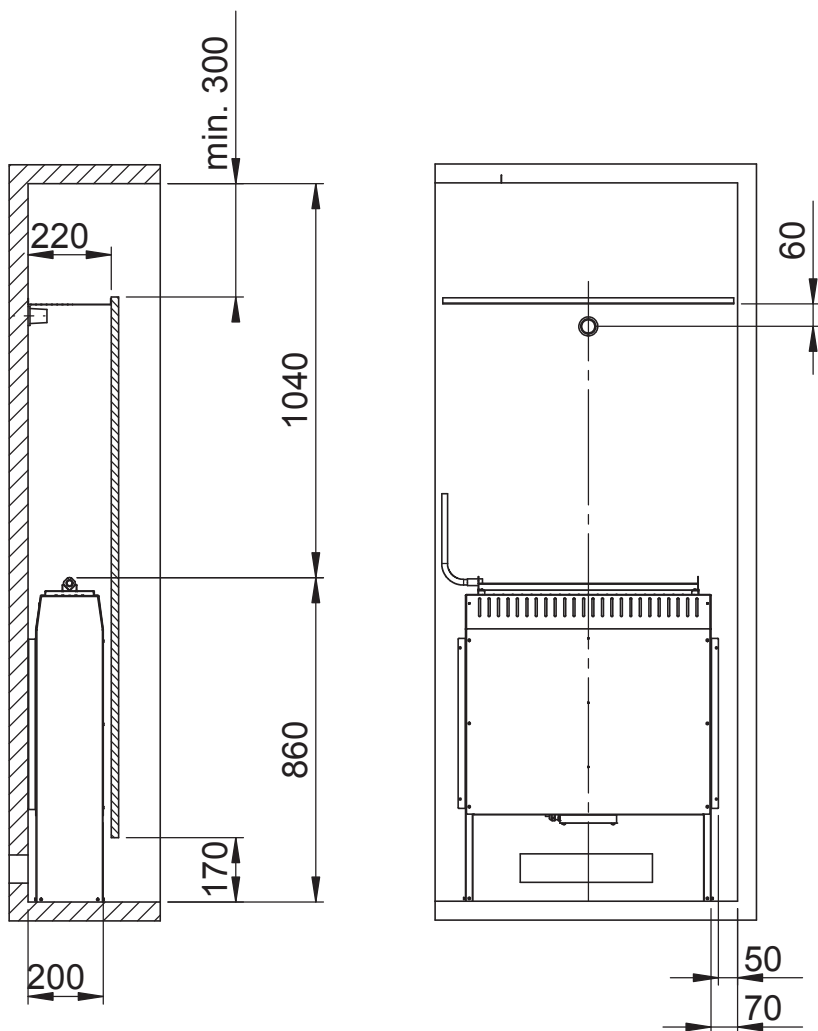
4.1. Lieu d'installation

Installez le poêle au milieu, devant l'ouverture d'entrée d'air de la paroi de la cabine. Ce faisant, respectez les distances de sécurité par rapport à la paroi de la cabine indiquées à la **Fig. 1**.

4.2. Distances de sécurité

Respectez les distances de sécurité minimales indiquées sur la **Fig. 1**.

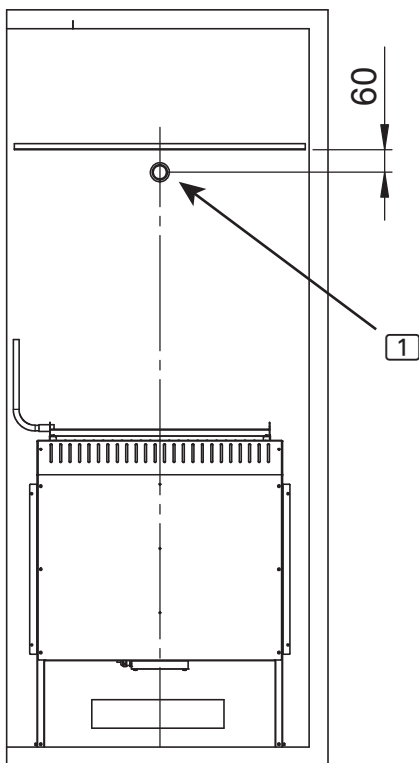
Fig. 1 Distances de sécurité pour le poêle en arrière de cloison
(HWO-090NS-P / HWO-105NS-P)
Mesures en mm



4.3. Position de la sonde

Contrairement au montage de la sonde de votre commande de sauna, la sonde de poêle est montée comme décrit dans **Fig. 2**. Montez la sonde de poêle **1** au milieu, au-dessus du poêle, à 60 mm (milieu de la sonde) sous la grille de protection. Tenez compte des dimensions indiquées sous « **Distances de sécurité** » à la page 10 concernant la grille de protection.

Fig. 2

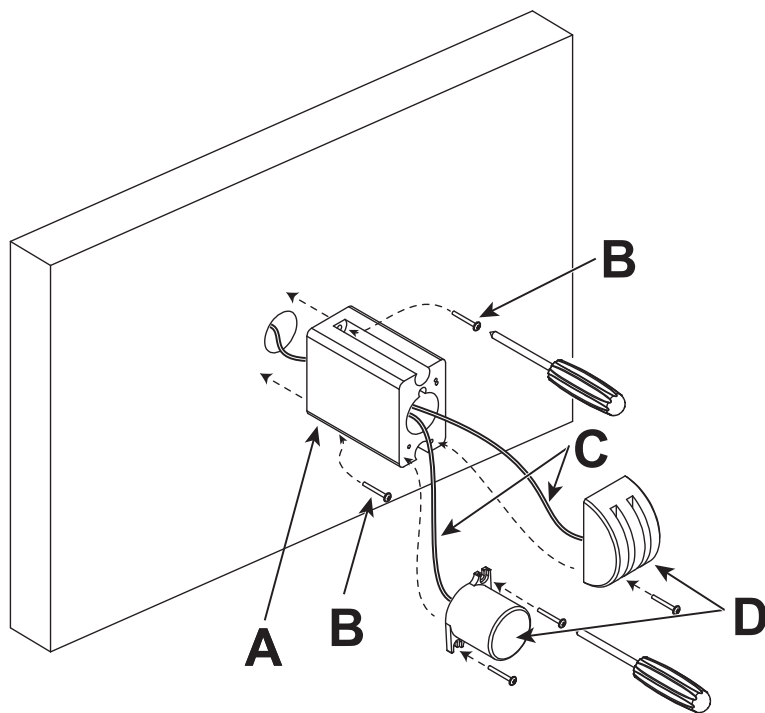


4.4. Montage de l'adaptateur de la sonde

Fixez l'adaptateur de la sonde **A** (compris dans la livraison du poêle) sur la paroi du sauna à la position indiquée sous « **Position de la sonde** » à la page 11 à l'aide des vis à bois **B**.

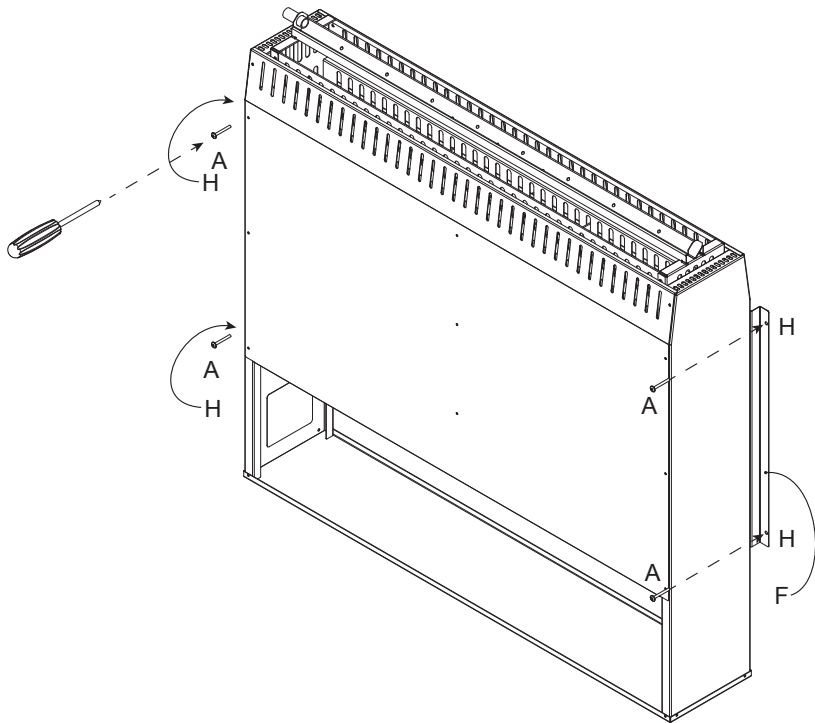
Faites passer le câble de la sonde **C** par l'adaptateur de la sonde **A** et la paroi du sauna.

Montez maintenant la sonde **D** sur la face frontale de l'adaptateur de la sonde **A**. Veillez à ce que les vis rentrent dans les granulations prescrites.



4.5. Fixation du poêle à la paroi du sauna

Afin de fixer le poêle et de le sécuriser contre les glissements ou les chutes, fixez-le avec les vis à bois fournies **A** en les passant à travers les trous de fixation **H** dans les brides de montage **F** présentes des deux côtés.

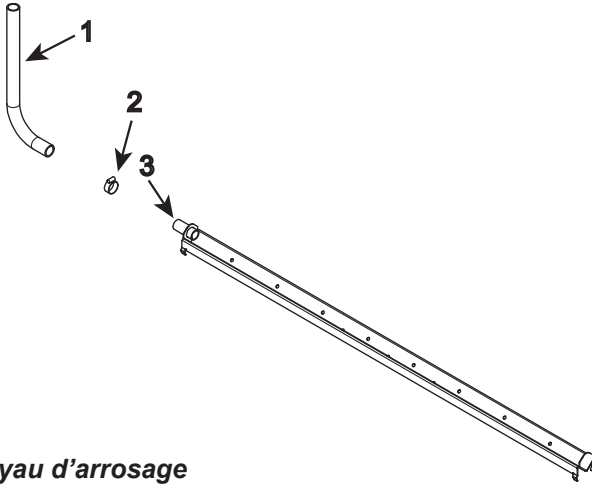


4.6. Montage du tuyau d'arrosage

Enfichez le collier de serrage **2** ouvert sur le tuyau d'arrosage **1**.

Faites glisser le tuyau sur l'embout de raccordement **3**.

Serrez le collier de serrage avec un tournevis.



Pose du tuyau d'arrosage

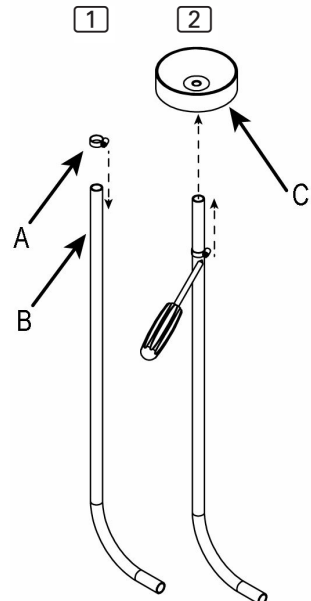
Lors de la pose du tuyau, veillez à une inclinaison continue. L'eau qui s'accumule dans les replis peut affecter la qualité de l'air suite à de longues périodes d'arrêt du fonctionnement.

1

Ouvrez complètement le collier de serrage **A** et faites-le passer par-dessus le tuyau d'arrosage **B**.

2

Faites maintenant passer le tuyau d'arrosage sur l'embout de raccordement du bol d'arrosage **C**. Fixez le tuyau avec le collier de serrage **A**.



5. Branchements électriques

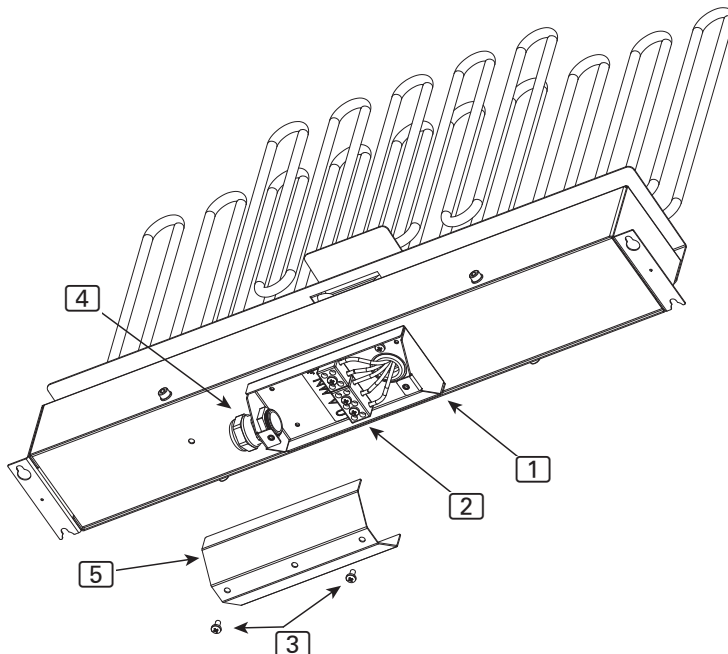


ATTENTION !

Risque d'électrocution

- Effectuez les travaux de montage et de raccordement du poêle de sauna uniquement lorsque celui-ci est hors tension.

1. Desserrez les vis [3] du cache [5].
2. Retirez le cache [5] du boîtier de raccordement [1].
3. Faites passer le câble par le passage [4].
4. Raccordez les fils U – V – W – N – PE du câble aux bornes correspondantes [2].

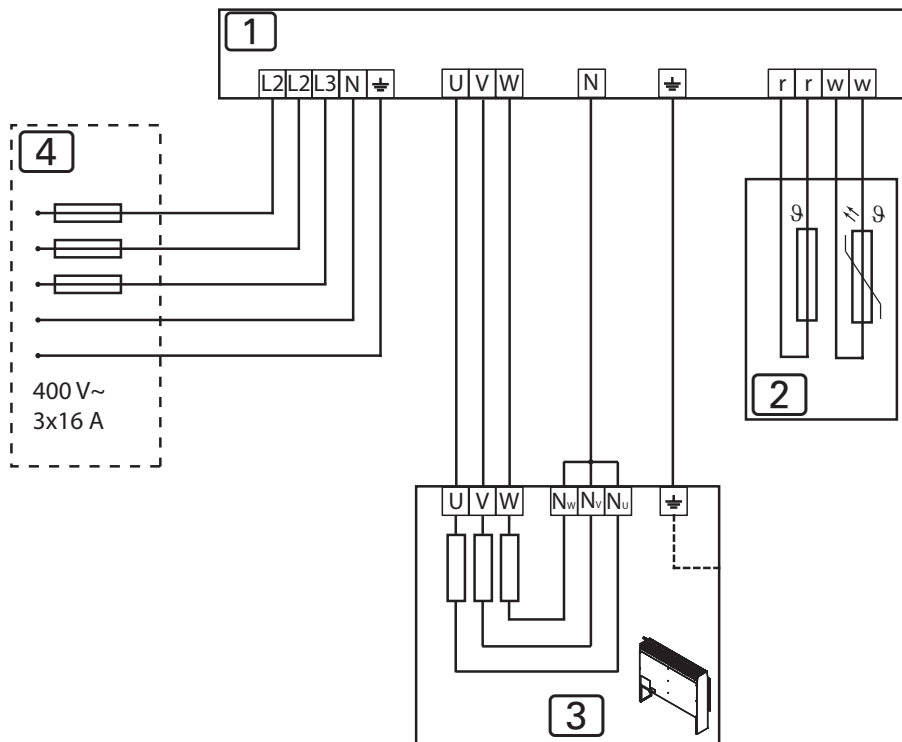


FR

5. Vissez le passage de câble [4].
6. Remplacez le cache [5] sur le boîtier de raccordement [1] et fixez-le avec les vis [3].

5.1. Schéma de raccordement 400V 3N~

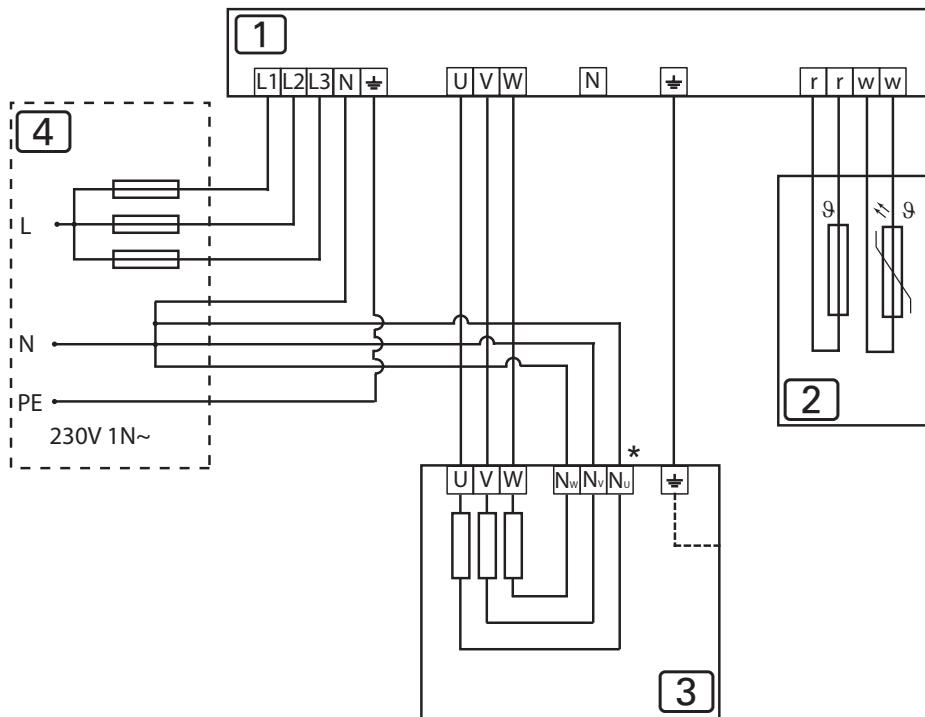
Fig. 3 Schéma de raccordement
(HWO-090NS-P / HWO-105NS-P)



- 1 Commande de sauna
- 2 Sonde de température avec dispositif de protection contre la surtempérature
- 3 Poêle en arrière de cloison
- 4 Alimentation électrique

5.2. Schéma de raccordement 230V 1N~

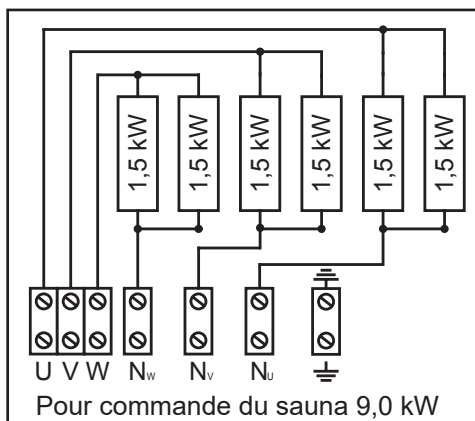
Fig. 4 Schéma de raccordement
(HWO-090NS-P / HWO-105NS-P)



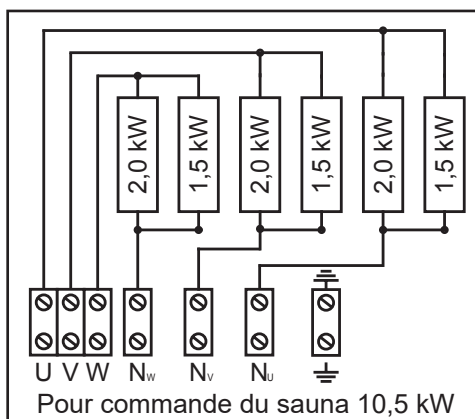
- 1 Commande de sauna
 - 2 Sonde de température avec dispositif de protection contre la surtempérature
 - 3 Poêle en arrière de cloison
 - 4 Alimentation électrique
- * Retirer le cavalier de cuivre

5.3. Schémas de câblage

HWO-090NS



HWO-105NS



6. Mise en service

6.1. Remplissage du réservoir de pierres



AVERTISSEMENT !

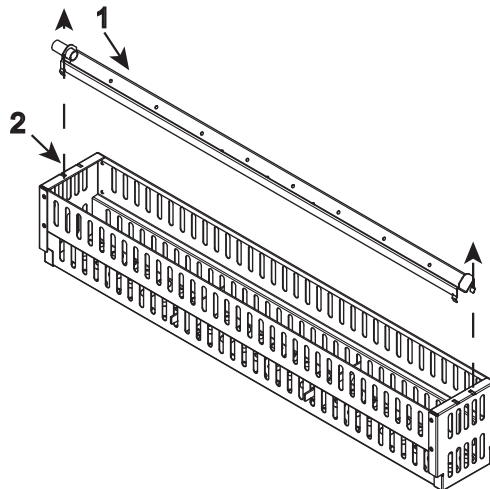
Risque d'incendie dû à la surchauffe

Si le poêle de sauna est utilisé sans pierres à sauna, les parois de la cabine de réchauffent fortement. Cela peut provoquer des incendies.

- NE mettez JAMAIS le poêle de sauna en marche sans pierres à sauna.

Vous trouverez la quantité de pierres correspondant à la puissance de votre poêle au chapitre **12. Caractéristiques techniques** (voir page **26**).

1. Avant utilisation, nettoyez soigneusement les pierres à sauna à l'eau, à l'aide d'une brosse. N'utilisez pas de produits de nettoyage.
2. Avant de les placer dans le poêle de sauna, vérifiez que les pierres sont exemptes de corps étrangers et retirez les restes d'emballage.
3. Tirez la gouttière d'arrosage [1] du réservoir de pierres [2] vers le haut et disposez la quantité de pierres appropriée pour le poêle de façon uniforme dans le panier à pierres [2].
4. Disposez les pierres à sauna sans les serrer, afin que l'air puisse passer entre les interstices. Veillez à ce que les pierres à sauna ne dépassent pas du bord du réservoir de pierres.
5. Insérez de nouveau la gouttière d'arrosage [1] dans le réservoir de pierres. Veillez à ce qu'elle soit correctement enclenchée.



6.2. Placement du panneau d'avertissement sur le réservoir de pierres

Le panneau d'avertissement fourni à la livraison du poêle doit être apposé de manière clairement visible dans la cabine.

Unzureichend gefüllter Steinbehälter verursacht Brandgefahr!
Insufficient filled stone container causes fire hazard!
Un recipiente di pietre non riempito a sufficienza può causare rischio di incendio!
Onvoldoende gevulde steenhouder veroorzaakt brandgevaar!
Risque d'incendie si le réservoir de pierres n'est pas suffisamment rempli!

12/2011 8000217

6.3. Placement du panneau d'avertissement « Ne pas couvrir »

Le panneau d'avertissement fourni à la livraison du poêle doit être apposé de manière clairement visible dans la cabine et à proximité du poêle.



6.4. Premier chauffage



PRUDENCE !

Formation de fumée et de mauvaises odeurs lors du premier chauffage

Sur les thermoplongeurs neufs se trouvent des matières consommables issues du processus de fabrication. Celles-ci se décomposent lors du premier chauffage du poêle de sauna. Cela provoque de la fumée et des odeurs désagréables. Le fait de respirer ces vapeurs ou la fumée nuit à votre santé.

Procédez aux opérations suivantes lorsque vous mettez votre poêle de sauna **en service pour la première fois** et lorsque les **thermoplongeurs de votre poêle de sauna ont été remplacés**. Vous évitez ainsi des dommages pour votre santé provoqués par les vapeurs et la fumée se formant lors du premier chauffage.

1. Sur la commande du sauna, sélectionnez la température la plus élevée possible.
2. Faites chauffer le poêle de sauna pendant une demi-heure.
Pendant ce temps, NE restez PAS dans la cabine de sauna.
3. Après le premier chauffage, aérez bien la cabine de sauna.
4. Si plus aucune fumée ni aucune odeur ne se forment lors du prochain chauffage, vous pouvez commencer à utiliser votre sauna.
Si de la fumée ou des odeurs apparaissent à nouveau, quittez immédiatement la cabine de sauna et répétez la procédure de premier chauffage, suivie d'une aération.

7. Utilisation



AVERTISSEMENT !

Risque d'incendie

Des objets inflammables se trouvant sur le poêle à sauna chaud ou au-dessus du poêle dans les conduits d'air, s'enflamment et provoquent des incendies.

- NE placez JAMAIS de matériaux inflammables sur le poêle de sauna.
 - Assurez-vous qu'AUCUN objet inflammable ne se trouve sur le poêle de sauna avant de mettre le sauna en marche.
-

7.1. Commande du poêle de sauna

L'utilisation du poêle de sauna s'effectue par l'intermédiaire d'une commande de sauna. Pour obtenir des informations concernant l'utilisation de la commande pour sauna, lisez le mode d'emploi de l'appareil correspondant. Notez que le poêle en arrière de cloison ne convient qu'aux commandes sans fonction de démarrage à distance.

7.2. Arrosage

À la fin de l'utilisation du sauna, vous pouvez effectuer un arrosage. Pour ce faire, versez de l'eau dans le bol d'arrosage à l'aide d'une louche pour sauna. Cela fait évaporer l'eau et augmente l'humidité de l'air dans la cabine.



Le tuyau d'arrosage retarde l'arrosage. Attendez après chaque remplissage du bol d'arrosage que l'eau ait complètement disparu.

Lors de l'arrosage, respectez les points suivants :

- Utilisez uniquement de l'eau du robinet pour l'arrosage. De l'eau de mer, une eau très calcaire et de l'eau chlorée peuvent endommager le poêle de sauna.
- Utilisez uniquement des parfums et des huiles essentielles explicitement adaptés à l'arrosage dans des saunas. Suivez les consignes données par le fabricant sur l'emballage des essences.
- Ne versez pas l'eau trop vite dans le bol d'arrosage. Cela permet que l'eau d'arrosage s'évapore totalement.

8. Entretien

8.1. Périodes d'arrêt prolongées

Si l'environnement est particulièrement humide, ou lors de longues périodes d'arrêt, de l'humidité s'accumule dans les thermoplongeurs. Il s'agit d'un phénomène physique et non d'un défaut de fabrication. L'humidité des thermoplongeurs peut provoquer le déclenchement du disjoncteur. Dans ce cas, contactez un électricien qualifié pour le dépannage (voir chapitre **10. Dépannage par le monteur**).



Faites chauffer le poêle de sauna toutes les 5 à 6 semaines pendant env. 15 minutes. Vous évitez ainsi que de l'eau ne s'accumule dans les thermoplongeurs lors de longues périodes d'arrêt.

8.2. Nettoyage du poêle de sauna

Veillez à ce que les ouvertures de ventilation soient exemptes de peluches et de poussières. Vous évitez ainsi que la circulation de l'air dans le poêle de sauna soit limitée et que l'appareil chauffe excessivement.

8.3. Remplacement des pierres à sauna

Les pierres à sauna sont très sollicitées par les produits d'arrosage et les importantes différences de température survenant lors de l'utilisation. Les pierres à sauna peuvent être attaquées et devenir cassantes.

Contrôlez les pierres à sauna à intervalles réguliers et remplacez les pierres au moins une fois par an.



AVERTISSEMENT !

Risque d'incendie dû à la surchauffe

Si le poêle de sauna est utilisé sans pierres à sauna, les parois de la cabine de réchauffent fortement. Cela peut provoquer des incendies.

- NE mettez JAMAIS le poêle de sauna en marche sans pierres à sauna.

1. Retirez les anciennes pierres à sauna.
2. Nettoyez le réservoir de pierres pour retirer les dépôts de calcaire, la poussière et autres impuretés.
3. Avant utilisation, nettoyez soigneusement les pierres à sauna à l'eau, à l'aide d'une brosse. N'utilisez pas de produits de nettoyage.
4. Avant de les placer dans le poêle de sauna, vérifiez que les pierres sont exemptes de corps étrangers et retirez les restes d'emballage.
5. Placez les pierres à sauna dans le réservoir de pierres. Disposez les pierres à sauna sans les serrer, afin que l'air puisse passer entre les interstices.
6. Veillez à ce que les pierres à sauna ne dépassent pas du bord du réservoir de pierres.

9. Élimination



- Éliminez les matériaux d'emballage conformément aux directives en vigueur relatives à l'élimination.
- Les appareils usagés contiennent des matériaux recyclables, mais aussi des substances toxiques. Par conséquent, ne jetez en aucun cas votre appareil usagé avec les déchets ménagers. Éliminez-le conformément aux directives locales en vigueur.

10. Dépannage par le monteur

Chauffage des thermoplongeurs

Si l'environnement est particulièrement humide, ou lors de longues périodes d'arrêt, de l'humidité peut s'accumuler dans les thermoplongeurs. Il s'agit d'un phénomène physique et non d'un défaut de fabrication. L'humidité des thermoplongeurs peut éventuellement provoquer le déclenchement du disjoncteur.

Dans ce cas, il est nécessaire de faire chauffer le poêle de sauna sous la surveillance d'un électricien qualifié. Pendant cette procédure, la fonction de protection du disjoncteur doit être hors service. La procédure de chauffage dure env. 10 minutes. La fonction de protection du disjoncteur doit ensuite être rétablie.

Si le problème persiste, adressez-vous à votre fournisseur.

11. Pièces de rechange

<i>Référence</i>	<i>Thermoplongeurs</i>
HWO-090NS	6 x SCA150 (1-028-518)
HWO-105NS	3 x SCA150 (1-028-518) / 3 x SCA200 (1-028-503)

FR

<i>Référence</i>	<i>Désignation</i>
1-028-845	Grille de protection du poêle pour 8,0 - 10,5 kW
1-028-297	Bol d'arrosage

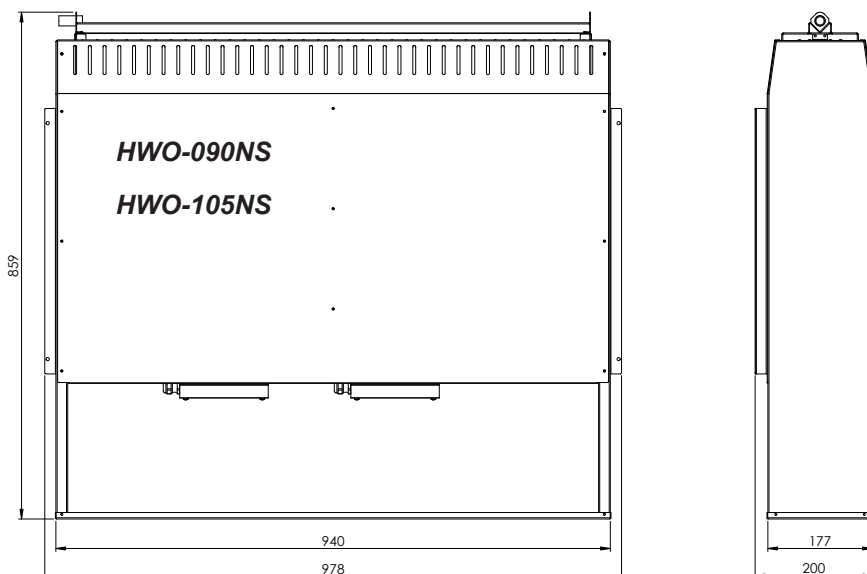
12. Caractéristiques techniques

Référence	Puis- sance [kW]	Volume de la cabine [m ³]	Taille minimale de l'ouverture de ventilation [mm]	Poids sans pierres [kg]
HWO-090NS	9,0 kW	9 - 14 m ³	350 x 50	32
HWO-105NS	10,5 kW	10 - 15 m ³	350 x 60	32

Référence	Quantité de pierres [kg]	Fusible [A]	Alimentation
HWO-090NS	Env. 15	3 x 16 / 1 x 50	400 V CA 3N~ 50/60 Hz 230 V CA 1N~ 50/60 Hz
HWO-105NS	Env. 15	3 x 16 / 1 x 50	400 V CA 3N~ 50/60 Hz 230 V CA 1N~ 50/60 Hz

13. Dimensions

Toutes les mesures sont indiquées en mm.



Stufa per sauna

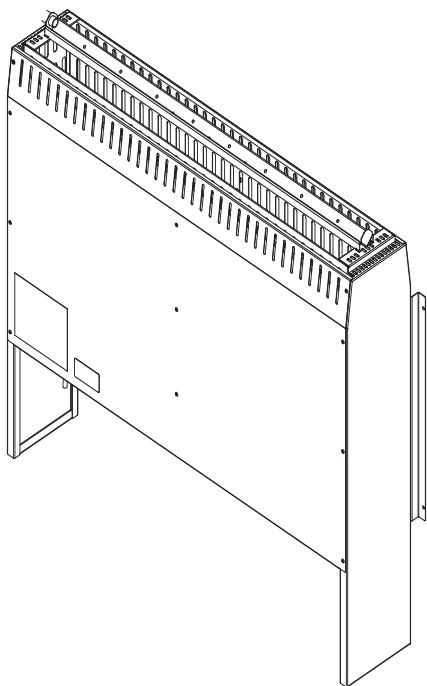
Stufa a parete a scomparsa

HWO-090NS-P / 1-027-800: Stufa a parete a scomparsa 9,0 kW

HWO-105NS-P / 1-027-801: Stufa a parete a scomparsa 10,5 kW

ISTRUZIONI DI MONTAGGIO E D'USO

Italiano



IT

Indice

1. Informazioni sul presente manuale	4
2. Importanti indicazioni per la sicurezza personale	5
2.1. Conformità d'uso	5
2.2. Indicazioni di sicurezza per l'installatore	5
2.3. Indicazioni di sicurezza per l'utilizzatore	7
3. Descrizione del prodotto	8
3.1. Dotazione	8
3.2. Accessori opzionali	8
3.3. Funzioni del prodotto	8
4. Montaggio e collegamento	9
4.1. Luogo di installazione	9
4.2. Distanze di sicurezza	10
4.3. Posizione del sensore	11
4.4. Montaggio dell'adattatore del sensore	12
4.5. Fissaggio della stufa sulla parete della sauna	13
4.6. Montaggio del del flessibile per la gettata di vapore	14
5. Collegamento elettrico	15
5.1. Schema di collegamento 400V 3N~	16
5.2. Schema di collegamento 230V 1N~	17
5.3. Schemi di cablaggio	18

6. Messa in funzione	19
6.1. Riempimento del contenitore delle pietre.....	19
6.2. Posizionamento della piastrina indicatrice del contenitore delle pietre	20
6.3. Posizionamento della piastrina indicatrice "Non coprire".....	20
6.4. Primo riscaldamento.....	21
7. Impiego	22
7.1. Utilizzo della stufa per sauna.....	22
7.2. Gettata di vapore.....	22
8. Manutenzione	23
8.1. Pause di funzionamento prolungate.....	23
8.2. Pulizia della stufa per sauna.....	23
8.3. Sostituzione delle pietre.....	23
9. Smaltimento	24
10. Risoluzione del problema con l'intervento di un installatore	25
11. Pezzi di ricambio	25
12. Specifiche tecniche	26
13. Dimensioni	26

1. Informazioni sul presente manuale

Leggere attentamente le presenti istruzioni di montaggio e d'uso e conservarle vicino alla sauna. Così facendo è possibile in ogni momento controllare le informazioni sulla sicurezza personale e il comando.



Le presenti istruzioni di montaggio e d'uso si trovano anche nell'area di download della nostra pagina web all'indirizzo: www.sentiotec.com/downloads.

Simboli nelle avvertenze

Nelle presenti istruzioni di montaggio e d'uso, prima di ogni attività che genera un pericolo, è applicata un'avvertenza. Osservare sempre queste avvertenze. Così facendo, si evitano danni a beni materiali e lesioni che, nel peggiore dei casi, possono essere addirittura mortali.

Nelle avvertenze vengono utilizzati pittogrammi che hanno i seguenti significati:



PERICOLO!

L'inosservanza di questa avvertenza può causare lesioni gravi o addirittura mortali.



AVVERTENZA!

L'inosservanza di questa avvertenza può causare lesioni gravi o addirittura mortali.



ATTENZIONE!

L'inosservanza di questa avvertenza può causare lesioni lievi.

ATTENZIONE!

Questo pittogramma avverte della possibilità di danni a beni materiali.

Altri simboli



Questo simbolo indica consigli e indicazioni utili.



Non coprire!



Leggere il manuale di istruzioni

2. Importanti indicazioni per la sicurezza personale

Questa stufa a parete a scomparsa è costruita secondo le regole tecniche di sicurezza riconosciute. Tuttavia, durante l'utilizzo, possono presentarsi pericoli. Osservare pertanto le seguenti indicazioni di sicurezza e le avvertenze speciali riportate nei singoli capitoli.

2.1. Conformità d'uso

La stufa a parete a scomparsa deve essere utilizzata unicamente per riscaldare le cabine della sauna in combinazione con un comando sauna senza funzione di avvio remoto.

Qualsiasi altro utilizzo è considerato improprio. Un utilizzo improprio può causare danni al prodotto e lesioni gravi o mortali.

2.2. Indicazioni di sicurezza per l'installatore

- I lavori di montaggio e di collegamento della stufa per sauna devono essere eseguiti solo in assenza di tensione.
- Il montaggio deve essere eseguito solo da elettricisti o da persone con una qualifica simile.
- Per l'installazione, predisporre sul posto un dispositivo di separazione su tutti i poli con disinnesto totale corrispondente alla categoria di sovratensione III.
- Per collegare la stufa per sauna, utilizzare solamente tubi in silicone termoresistenti fino a una temperatura di 150°C.

- Installare la stufa per sauna solo nella cabina. La stufa a parete a scomparsa non deve essere utilizzata insieme ad altre stufe nella stessa cabina.
- Il soffitto e la pareti della cabina della sauna devono essere costruiti in legno a basso contenuto di resina, non trattato o termotrattato, ad es. abete rosso nordico, tsuga, pino o abete oppure in materiali a strati di legno. Se si utilizzano materiali in strati di legno, assicurarsi che le colle ivi presenti non rilascino formaldeide. Se nella cabina vengono utilizzati altri materiali, questi devono essere resistenti al calore e alla corrosione e non devono avere effetti negativi sulla salute di chi fa la sauna.
- La cabina deve avere un'altezza di almeno 1,9 m.
- Osservare i valori prescritti per il volume e la ventilazione della cabina per sauna al capitolo **12. Specifiche tecniche**.
- Durante l'installazione della stufa per sauna osservare le distanze di sicurezza minime (vedi capitolo **4.2. Distanze di sicurezza**).
- Osservare anche le disposizioni locali valide sul posto di installazione.
- Qualora si presentassero problemi non trattati in modo esaustivo nelle presenti istruzioni di montaggio, per la vostra sicurezza, vi preghiamo di rivolgervi al vostro fornitore.

2.3. Indicazioni di sicurezza per l'utilizzatore

- Il dispositivo non deve essere utilizzato da bambini di età inferiore agli 8 anni.
- Questo dispositivo può essere utilizzato da bambini con più di 8 anni di età, da persone con capacità fisiche, sensoriali o mentali limitate e prive della sufficiente esperienza e del know-how necessari, alle seguenti condizioni:
 - se sono in presenza di persone responsabili per loro;
 - se è stato spiegato loro come utilizzare l'apparecchio in modo sicuro e sono chiari i pericoli che ne possono derivare.
- Ai bambini non è permesso giocare con il dispositivo.
- I bambini al di sotto dei 14 anni possono pulire il dispositivo solo in presenza di adulti.
- Se si è sotto l'effetto di alcol, medicinali o droghe, per motivi di salute, evitare di andare in sauna.
- Non mettere mai in funzione la stufa per sauna senza le pietre perché potrebbero verificarsi incendi.
- Prima di accendere il comando della sauna, assicurarsi che sulla stufa per sauna non si trovino oggetti infiammabili.
- PRIMA dell'utilizzo iniziale della sauna, riscaldare la stufa per mezz'ora. NON rimanere nella cabina della sauna durante questo arco di tempo. Quindi aerare bene la cabina (vedi **6.4. Primo riscaldamento** a pagina **21**).
- Non toccare mai la stufa per sauna durante il funzionamento. La superficie della stufa per sauna e le pietre si scaldano molto.
- Qualora si presentassero problemi non trattati in modo esaustivo nelle istruzioni per l'uso, per la vostra sicurezza, vi preghiamo di rivolgervi al vostro fornitore.

3. Descrizione del prodotto

3.1. Dotazione

- Stufa per sauna
- Materiale di montaggio
- Griglia di protezione
- Adattatore per sensore (solo da HWO-080 a HWO-105)
- Flessibile per la gettata di vapore con ciotola per infusioni
- Etichette "Avvertenze contenitore per le pietre" e "Non coprire"
- Istruzioni di montaggio e d'uso

3.2. Accessori opzionali

<i>Accessori</i>	<i>Numero articolo</i>
Ampliamento della potenza	O-S2-18 / O-S2-18S

3.3. Funzioni del prodotto

Questa stufa a parete a scomparsa è una stufa per sauna finlandese e consente la creazione di un clima tipico da 80 a 100°C, con un'umidità dell'aria di circa il 10%.

Il flessibile per la gettata di vapore consente di gettare l'acqua sulle pietre della sauna. Così facendo l'acqua evapora e l'umidità dell'aria nella cabina aumenta.

4. Montaggio e collegamento

Tenere presente i seguenti punti durante l'installazione e il collegamento della stufa per sauna:



AVVERTENZA!

Pericolo di scossa elettrica

- Eseguire i lavori di montaggio e collegamento alla stufa per sauna solo in assenza di tensione.
-

- Il collegamento elettrico deve essere eseguito solo da elettricisti specializzati o da persone con una qualifica simile.
- Per l'installazione, predisporre sul posto un dispositivo di separazione su tutti i poli con disinnesco totale corrispondente alla categoria di sovratensione III.
- Non posizionare la stufa per sauna su un pavimento in materiale facilmente infiammabile come legno o plastica. Rivestimenti per pavimenti adatti sono ad es. piastrelle in ceramica.

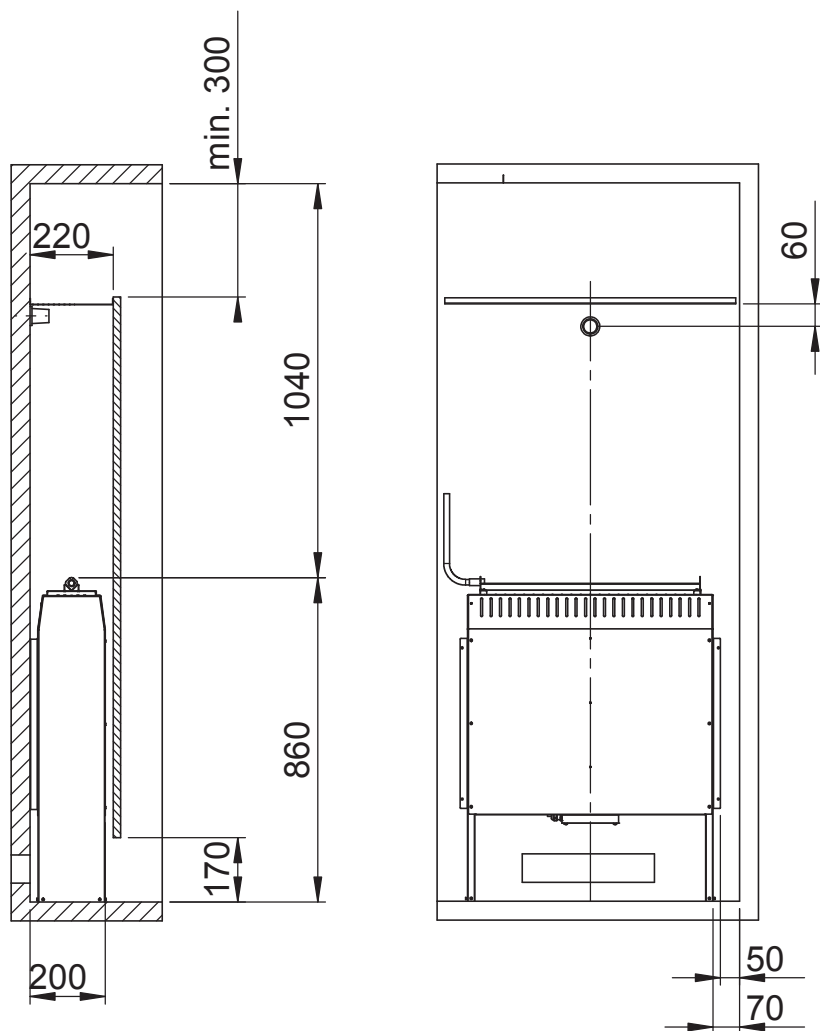
4.1. Luogo di installazione

Posizionare la stufa centralmente davanti all'apertura dell'entrata dell'aria nella parete della cabina. Durante quest'operazione mantenere le distanze di sicurezza indicate nella **Fig. 1** rispetto alla parete della cabina.

4.2. Distanze di sicurezza

Osservare le distanze di sicurezza minime indicate nella **Fig. 1**.

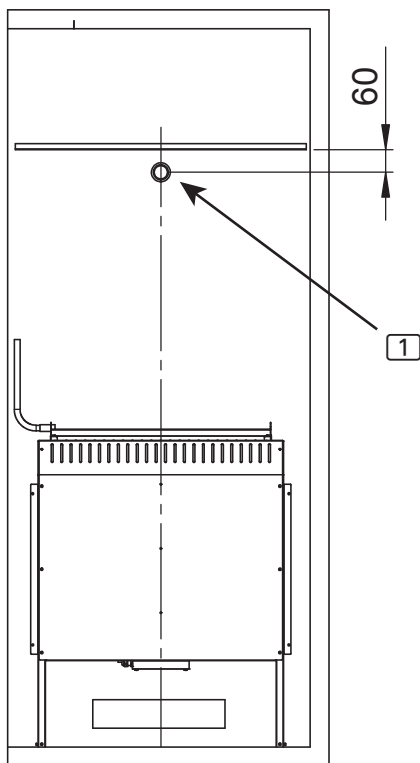
Fig. 1 Distanze di sicurezza stufa a parete a scomparsa
(HWO-090NS-P / HWO-105NS-P)
Unità di misura in mm



4.3. Posizione del sensore

Al contrario del montaggio per il sensore dell'unità di comando sauna, per il sensore della stufa il montaggio avviene come da **Fig. 2**. Montare il sensore della stufa **1** in posizione centrale sopra la stufa, 60 mm (centro sensore) al di sotto della griglia di protezione. Osservare anche le misure riguardanti la griglia di protezione indicate al paragrafo **“Distanze di sicurezza” a pagina 10**.

Fig. 2

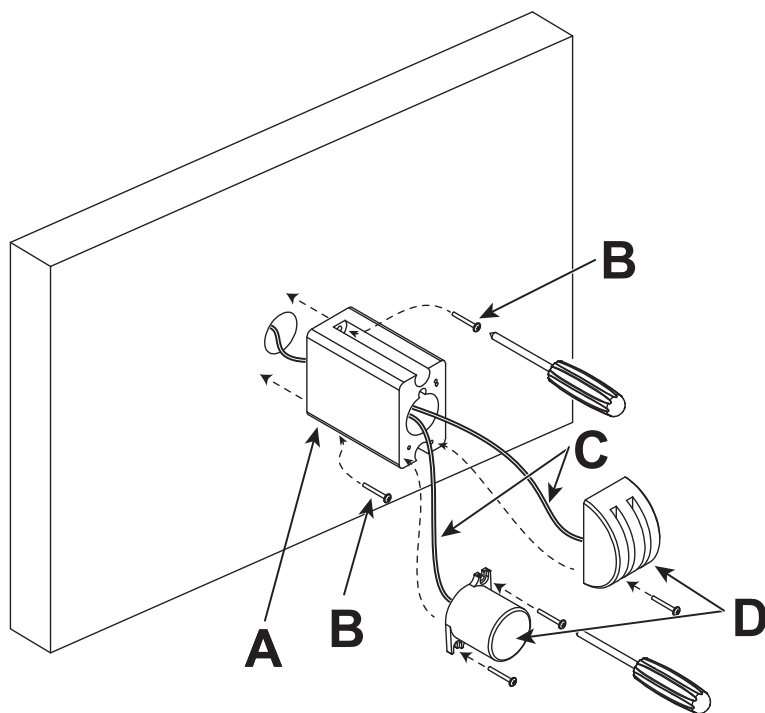


4.4. Montaggio dell'adattatore del sensore

Fissare l'adattatore del sensore **A** (incluso nella dotazione della stufa) nella posizione indicata al paragrafo **“Posizione del sensore”** a pagina 11, sulla parete della sauna, utilizzando le viti per legno **B**.

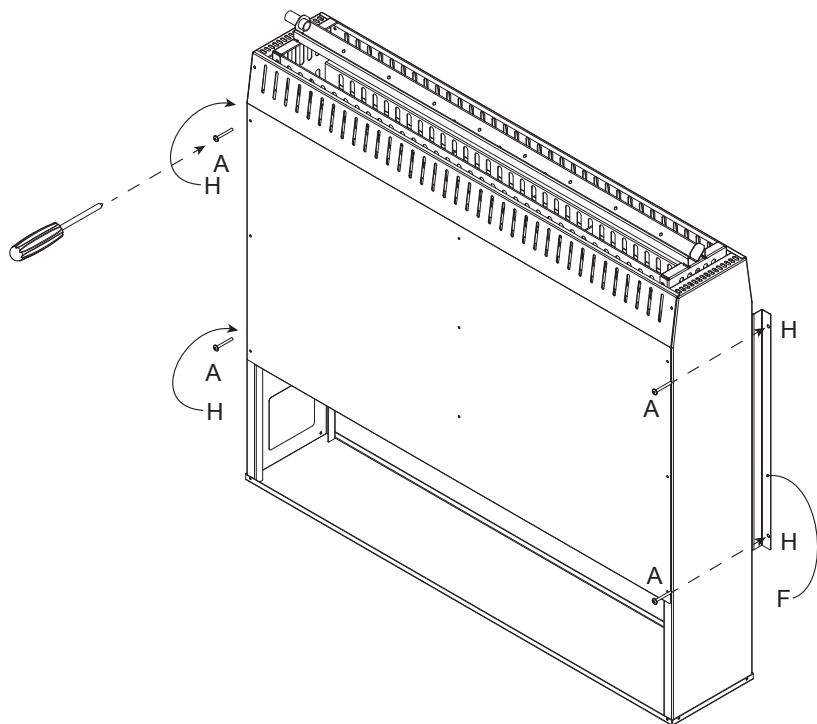
Far passare il cavo del sensore **C** attraverso il corrispondente adattatore **A** e la parete della sauna.

Montare quindi il sensore **D** sulla parte anteriore dell'adattatore del sensore **A**. Fare attenzione che le viti centrino i segni di preforatura.



4.5. Fissaggio della stufa sulla parete della sauna

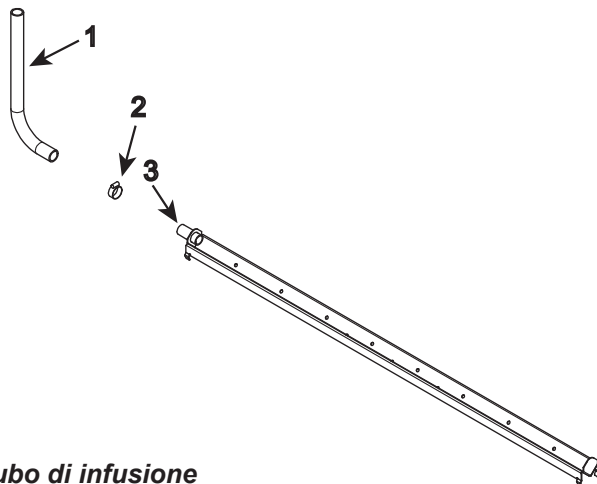
Per fissare la stufa e impedire che possa spostarsi o ribaltarsi, fissarla utilizzando le viti per legno **A** con i fori di fissaggio **H** nelle flange di montaggio **F** presenti su entrambi i lati.



4.6. Montaggio del del flessibile per la gettata di vapore

Inserire la fascetta stringitubo **2** aperta sul flessibile per la gettata di vapore **1**.
Spingere il flessibile sul raccordo **3**.

Serrare la fascetta stringitubo con un cacciavite.



Posa del tubo di infusione

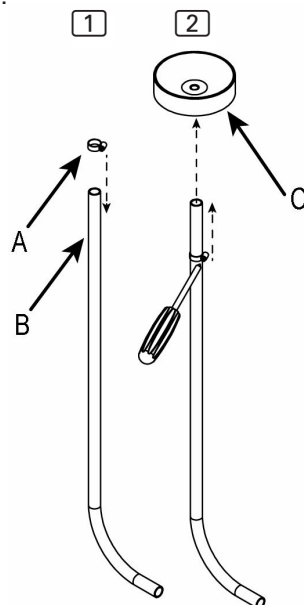
Riguardo alla posa del tubo, assicurarsi di mantenere una pendenza continua. L'acqua che dovesse accumularsi in avvallamenti può compromettere la qualità dell'aria in seguito a periodi prolungati di inutilizzo.

1

Aprire completamente la fascetta stringitubo **A** e farla passare sul flessibile per la gettata di vapore **B**.

2

Inserire ora il flessibile per la gettata di vapore sul raccordo della ciotola per infusioni **C**.
Fissare il flessibile mediante l'apposita fascetta **A**.



5. Collegamento elettrico

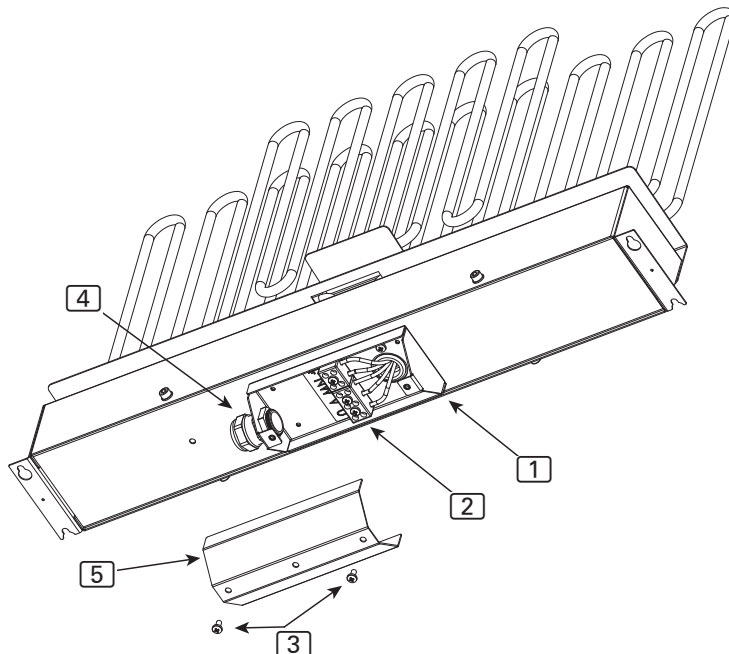


ATTENZIONE!

Pericolo di scossa elettrica

- Eseguire i lavori di montaggio e collegamento alla stufa per sauna solo in assenza di tensione.

1. Allentare le viti [3] della copertura 5.
2. Staccare la copertura [5] dalla scatola di connessione [1].
3. Far passare il cavo attraverso il passacavo [4].
4. Collegare i fili U - V - W - N - PE del cavo ai morsetti corrispondenti [2].

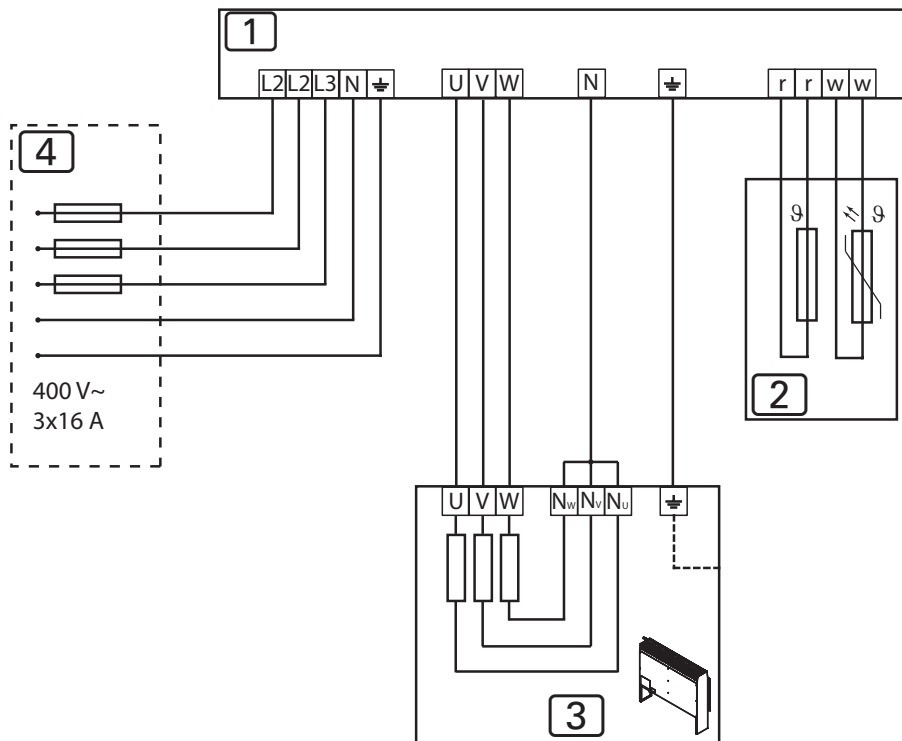


IT

5. Serrare il passacavo [4].
6. Ricollocare la copertura [5] sulla scatola di connessione [1] e fissarla con le viti [3].

5.1. Schema di collegamento 400V 3N~

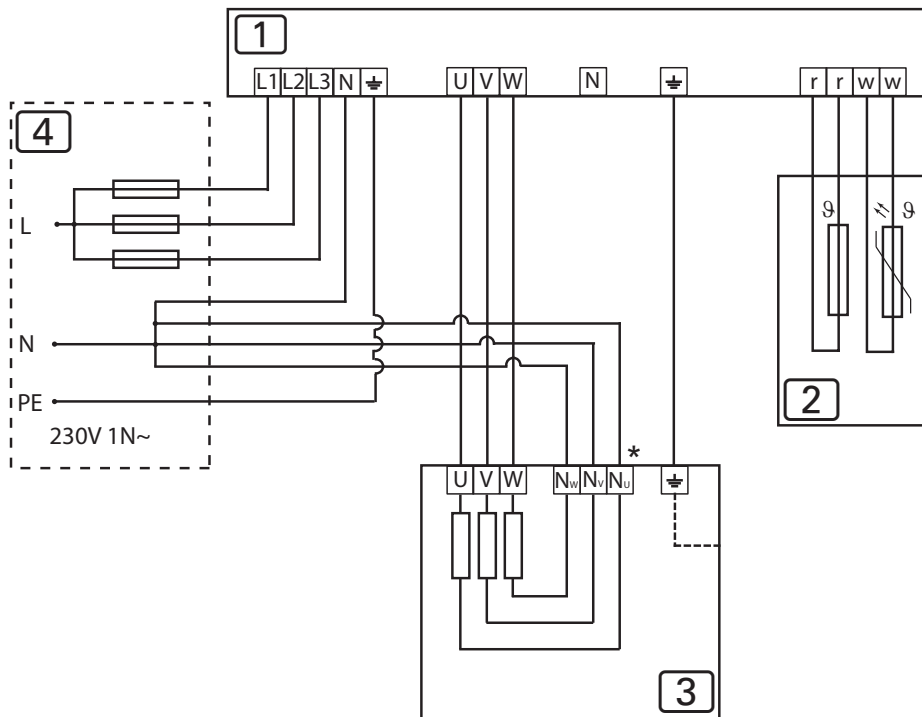
Fig. 3 Schema di collegamento
(HWO-090NS-P / HWO-105NS-P)



- 1 Comando della sauna
- 2 Sonda termica con fusibile termico di protezione
- 3 Stufa a parete a scomparsa
- 4 Alimentazione di corrente

5.2. Schema di collegamento 230V 1N~

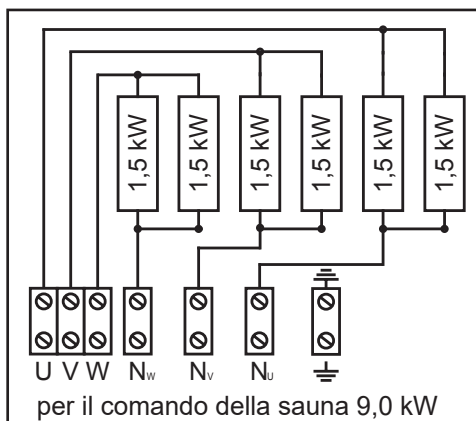
Fig. 4 Schema di collegamento
(HWO-090NS-P / HWO-105NS-P)



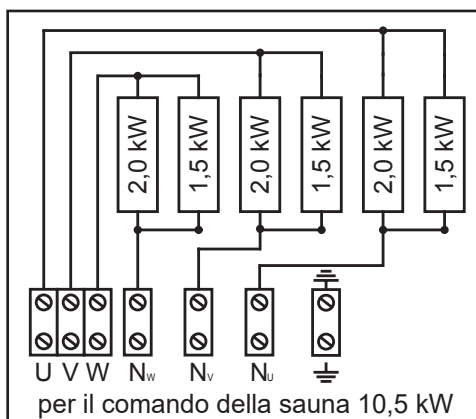
- 1 Comando della sauna
- 2 Sonda termica con fusibile termico di protezione
- 3 Stufa a parete a scomparsa
- 4 Alimentazione di corrente
- * Rimuovere il ponte in rame

5.3. Schemi di cablaggio

HWO-090NS



HWO-105NS



6. Messa in funzione

6.1. Riempimento del contenitore delle pietre

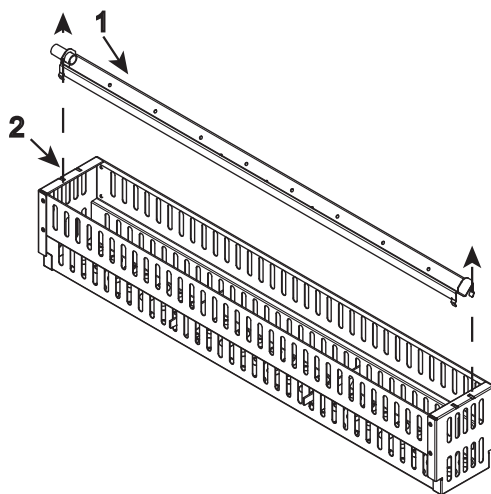
**AVVERTENZA!*****Pericolo d'incendio per surriscaldamento***

Se la stufa per sauna viene utilizzata senza pietre, le pareti della cabina si riscaldano molto. Per questo motivo possono verificarsi incendi.

- Non mettere MAI in funzione la stufa per sauna senza pietre.

Per la quantità di pietre adatta per la potenza della vostra stufa, consultare il capitolo **12. Specifiche tecniche** (vedi pagina **26**).

1. Prima di utilizzare le pietre per la sauna, lavarle accuratamente con una spazzola e acqua. Non utilizzare additivi per la pulizia.
2. Prima di mettere le pietre nella stufa, controllare se sono presenti corpi estranei e rimuovere i resti dell'imballaggio.
3. Sollevare il canaletto **1** dal contenitore delle pietre **2** e collocare la quantità di pietre in funzione della stufa in modo uniforme nella cesta delle pietre **2**.
4. Collocare le pietre per sauna in modo non troppo ravvicinato, affinché l'aria possa circolare fra gli spazi. Assicurarsi che le pietre non sporgano oltre il bordo del contenitore.
5. Riposizionare il canaletto **1** nel contenitore delle pietre, facendo attenzione che scatti correttamente in posizione.



6.2. Posizionamento della piastrina indicatrice del contenitore delle pietre

La piastrina indicatrice fornita in dotazione con la stufa deve essere apposta in una posizione ben visibile all'interno della cabina.

Unzureichend gefüllter Steinbehälter verursacht Brandgefahr!
Insufficient filled stone container causes fire hazard!
Un recipiente di pietre non riempito a sufficienza può causare rischio di incendio!
Onvoldoende gevulde steenhouders veroorzaakt brandgevaar!
Risque d'incendie si le réservoir de pierres n'est pas suffisamment rempli!

12/2011 8000217

6.3. Posizionamento della piastrina indicatrice “Non coprire”

La piastrina indicatrice fornita in dotazione con la stufa deve essere apposta in una posizione ben visibile all'interno della cabina e nelle vicinanze della stufa.



6.4. Primo riscaldamento



ATTENZIONE!

Formazione di fumo e odori durante il primo riscaldamento

Sulle nuove resistenze si trovano materiali di consumo derivanti dal processo di produzione. Questi si disgregano al momento del primo riscaldamento della stufa. Ciò produce fumo e un odore sgradevole. In caso di inalazione, questi fumi e vapori sono nocivi per la salute.

Eeguire i seguenti passaggi se si mette in funzione **per la prima volta** la stufa e se **sono state sostituite le resistenze**. In tal modo si evitano danni alla salute dovuti a fumi e vapori che derivano dal primo riscaldamento.

1. Selezionare la temperatura più alta possibile sul comando della sauna.
2. Riscaldare la stufa per mezz'ora.
NON rimanere nella cabina durante questo arco di tempo.
3. Aerare bene la cabina dopo il primo riscaldamento.
4. Se al successivo riscaldamento non si produce alcun odore e fumo, si può procedere alla prima sauna.
Se continuano a prodursi odore e fumo, uscire immediatamente dalla cabina della sauna e ripetere la procedura del primo riscaldamento con successiva aerazione.

7. Impiego



AVVERTENZA!

Pericolo di incendio

Oggetti infiammabili posti sulla stufa calda o nelle prese d'aria sovrastanti la stufa possono infiammarsi e causare incendi.

- Non appoggiare MAI oggetti infiammabili sulla stufa.
 - Prima di mettere in funzione la stufa per sauna, assicurarsi che su quest'ultima NON poggino oggetti infiammabili.
-

7.1. Utilizzo della stufa per sauna

Il comando della stufa per sauna avviene mediante un dispositivo di comando della sauna. Per informazioni sul comando della sauna leggere il manuale di istruzioni dell'apparecchio utilizzato. Osservare che la stufa a parete a scomparsa è adatta solo per comandi della sauna senza funzione di avvio remoto.

7.2. Gettata di vapore

Al termine della sauna è possibile eseguire una gettata di vapore. A tal fine versare acqua con un mestolo sulla ciotola per infusioni. Così facendo l'acqua evapora e l'umidità dell'aria nella cabina aumenta.



Mediante il flessibile per la gettata di vapore la gettata avviene in modo ritardato. Dopo ogni riempimento della ciotola per infusioni attendere la fine del passaggio dell'acqua.

Durante la gettata di vapore, osservare i seguenti punti:

- Per la gettata di vapore utilizzare solo acqua del rubinetto. L'acqua salata e l'acqua contenente molto calcare e cloro possono danneggiare la stufa della sauna.
- Utilizzare solo aromi e oli essenziali adatti per essere utilizzati come sostanze per la gettata di vapore nelle saune. Osservare le indicazioni del produttore presenti sulla confezione delle essenze utilizzate per la gettata di vapore.
- Non versare l'acqua troppo velocemente sulla ciotola. Solo così l'acqua per la gettata di vapore evapora completamente.

8. Manutenzione

8.1. Pause di funzionamento prolungate

In caso di condizioni ambientali umide o in seguito a pause di funzionamento prolungate, si accumula umidità nelle resistenze. Questo è un processo fisico e non un errore del produttore. L'umidità nelle resistenze può far scattare l'interruttore differenziale di protezione. Per eliminare il problema in questo caso informare un elettricista (vedi capitolo **10. Risoluzione del problema con l'intervento di un installatore**).



Riscaldare la stufa della sauna ogni 5, 6 settimane per ca. 15 minuti. In questo modo si impedisce l'accumulo d'acqua nelle resistenze in caso di pause di funzionamento prolungate.

8.2. Pulizia della stufa per sauna

Assicurarsi che le bocchette di aerazione siano libere da pelucchi e polvere. In questo modo si evita che diminuisca la circolazione dell'aria nella stufa e il surriscaldamento del dispositivo.

8.3. Sostituzione delle pietre

Le pietre subiscono forti sollecitazioni da parte delle sostanze per la gettata di vapore e dalle grandi differenze di temperatura che possono presentarsi con l'uso. Le pietre possono consumarsi o diventare friabili.

Controllare le pietre a intervalli regolari e sostituirle almeno una volta l'anno.



AVVERTENZA!

Pericolo d'incendio per surriscaldamento

Se la stufa per sauna viene utilizzata senza pietre, le pareti della cabina si riscaldano molto. Per questo motivo possono verificarsi incendi.

- Non mettere MAI in funzione la stufa per sauna senza pietre.

1. Rimuovere le pietre vecchie.
2. Eliminare dal contenitore delle pietre residui di calcare, polvere e altre impurità.
3. Prima di utilizzare le pietre per la sauna, lavarle accuratamente con una spazzola e acqua. Non utilizzare additivi per la pulizia.
4. Prima di mettere le pietre nella stufa, controllare se sono presenti corpi estranei e rimuovere i resti dell'imballaggio.
5. Mettere le pietre per sauna nell'apposito contenitore. Collocare le pietre per sauna in modo non troppo ravvicinato, affinché l'aria possa circolare fra gli spazi.
6. Assicurarsi che le pietre non sporgano oltre il bordo del contenitore.

9. Smaltimento



- Smaltire i materiali dell'imballaggio conformemente alle normative sullo smaltimento vigenti.
- I vecchi apparecchi contengono materiali riciclabili ma anche sostanze dannose. Non gettare mai l'apparecchio usato insieme ai rifiuti non riciclabili, bensì smaltirlo in conformità alle norme vigenti a livello locale.

10. Risoluzione del problema con l'intervento di un installatore

Riscaldamento delle resistenze

In caso di condizioni ambientali umide o in seguito a pause di funzionamento prolungate, può accumularsi umidità nelle resistenze. Questo è un processo fisico e non un errore del produttore. L'umidità nelle resistenze, in alcuni casi, può far scattare l'interruttore differenziale di protezione.

In questo caso è necessario riscaldare la stufa in presenza di un elettricista. A tal fine, la funzione di protezione dell'interruttore differenziale deve essere disattivata. Il processo di riscaldamento dura ca. 10 minuti. Dopodiché ripristinare la funzione di protezione dell'interruttore differenziale.

Se il problema persiste, rivolgersi al proprio fornitore.

11. Pezzi di ricambio

<i>Numero articolo</i>	<i>Resistenze</i>
HWO-090NS	6 x SCA150 (1-028-518)
HWO-105NS	3 x SCA150 (1-028-518) / 3 x SCA200 (1-028-503)

<i>Numero articolo</i>	<i>Dicitura</i>
1-028-845	Griglia di protezione per stufa per 8,0–10,5 kW
1-028-297	Ciotola per infusioni

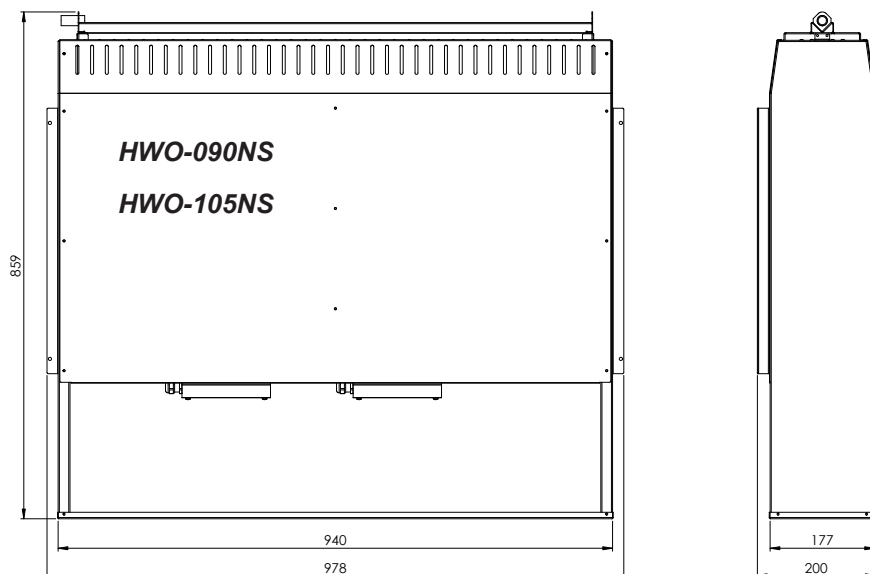
12. Specifiche tecniche

<i>Numero articolo</i>	<i>Potenza [kW]</i>	<i>Volume della cabina [m³]</i>	<i>Dimensione minima bocchetta di aerazione [mm]</i>	<i>Peso senza pietre [kg]</i>
HWO-090NS	9,0 kW	9–14 m ³	350 x 50	32
HWO-105NS	10,5 kW	10–15 m ³	350 x 60	32

<i>Numero articolo</i>	<i>Quantità di pietre [kg]</i>	<i>Protezione [A]</i>	<i>Alimentazione</i>
HWO-090NS	ca. 15	3 x 16 / 1 x 50	400 V AC 3N~ 50/60 Hz 230 V AC 1N~ 50/60 Hz
HWO-105NS	ca. 15	3 x 16 / 1 x 50	400 V AC 3N~ 50/60 Hz 230 V AC 1N~ 50/60 Hz

13. Dimensioni

Dati in mm.



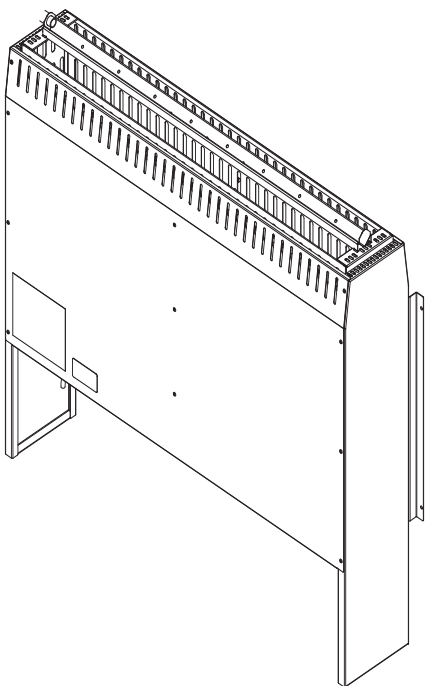
Saunakachel

Achterwandkachel

HWO-090NS-P / 1-027-800: Achterwandkachel 9,0 kW

HWO-105NS-P / 1-027-801: Achterwandkachel 10,5 kW

MONTAGE- EN GEBRUIKSAANWIJZING Nederlands



NL

Inhoudsopgave

1. Over deze handleiding	4
2. Belangrijke aanwijzingen voor uw veiligheid	5
2.1. Reglementair gebruik	5
2.2. Veiligheidsaanwijzingen voor de monteur	5
2.3. Veiligheidsaanwijzingen voor de gebruiker	7
3. Productbeschrijving	8
3.1. Leveromvang	8
3.2. Optionele accessoires	8
3.3. Productfuncties	8
4. Montage en aansluiting	9
4.1. Opstelplaats	9
4.2. Veiligheidsafstanden	10
4.3. Voelerpositie	11
4.4. Montage voeleradapter	12
4.5. Bevestiging van de kachel aan de saunawand	13
4.6. Montage van de opgietslang	14
5. Elektrische aansluiting	15
5.1. Aansluitschema 400V 3N~	16
5.2. Aansluitschema 230V 1N~	17
5.3. Bedradingsschema's	18

6. Inbedrijfstelling	19
6.1. Steenhouder vullen.....	19
6.2. Plaatsen van het waarschuwbord voor de steenhouder.....	20
6.3. Plaatsen van het waarschuwbord „Niet afdekken”.....	20
6.4. Eerste keer verwarmen.....	21
7. Bediening	22
7.1. Saunakachel bedienen.....	22
7.2. Opgieten.....	22
8. Onderhoud	23
8.1. Langere bedrijfspauzes.....	23
8.2. Saunakachel reinigen.....	23
8.3. Saunastenen wisselen.....	23
9. Afvoer	24
10. Oplossen van problemen door de monteur	25
11. Reserveonderdelen	25
12. Technische gegevens	26
13. Afmetingen	26

1. Over deze handleiding

Lees deze montage- en gebruiksaanwijzing goed door en bewaar deze in de buurt van de sauna. Zo kunt u te allen tijde informatie over uw veiligheid en de bediening nalezen.



U vindt deze montage- en gebruiksaanwijzing ook in het downloadbereik van onze website www.sentiotec.com/downloads.

Symbolen in waarschuwingsaanwijzingen

In deze montage- en gebruiksaanwijzing staat bij werkzaamheden die gevaarlijk kunnen zijn een waarschuwingsaanwijzing. Neem deze waarschuwingsaanwijzingen steeds in acht. Zo voorkomt u materiële schade, letsel en zelfs de dood.

In de waarschuwingsaanwijzingen worden signaalwoorden gebruikt die de volgende betekenis hebben:



GEVAAR!

Als u deze waarschuwingsaanwijzing niet in acht neemt, leidt dit tot ernstig letsel of de dood.



WAARSCHUWING!

Als u deze waarschuwingsaanwijzing niet in acht neemt, kan dit leiden tot ernstig letsel of de dood.



VOORZICHTIG!

Als u deze waarschuwingsaanwijzing niet opvolgt, kan dit leiden tot licht letsel.

ATTENTIE!

Dit signaalwoord waarschuwt voor materiële schade.

Andere symbolen



Dit symbool kenmerkt tips en nuttige aanwijzingen.



Niet afdekken!



Bedieningshandleiding lezen

2. Belangrijke aanwijzingen voor uw veiligheid

Deze achterwandkachel is gebouwd volgens erkende veiligheids-technische voorschriften. Toch kunnen bij gebruik gevaren ontstaan. Neem daarom volgende veiligheidsaanwijzingen en de speciale waarschuwingaanwijzingen in de afzonderlijke hoofdstukken in acht.

2.1. Reglementair gebruik

Deze achterwandkachel mag uitsluitend worden gebruikt voor de verwarming van saunacabines in combinatie met een saunabesturing zonder startfunctie op afstand.

Elk ander gebruik geldt als niet-reglementair. Niet-reglementair gebruik kan leiden tot productbeschadiging, ernstig letsel of de dood.

2.2. Veiligheidsaanwijzingen voor de monteur

- Montage- en aansluitwerkzaamheden aan de saunakachel mogen uitsluitend in stroomloze toestand worden uitgevoerd.
- De montage mag alleen door een elektricien of een vergelijkbaar gekwalificeerde persoon worden uitgevoerd.
- Op de plaats van opstelling moet een volledige scheidingsinrichting met complete uitschakeling overeenkomstig de overspanningscategorie III worden aangebracht.
- Gebruik voor de aansluiting van de saunakachel uitsluitend tot 150 °C temperatuurbestendige siliconenleidingen.
- Monteer slechts één saunakachel in de cabine. De achterwandkachel mag niet samen met andere saunakachels in één saunacabine worden gebruikt.

- Plafonds en muren van de saunacabine moeten van harsarm, onbehandeld of thermisch behandeld hout zijn vervaardigd, zoals Noorse spar, Canadese den, grenen- of sparrenhout, of van materialen met houtlagen. Bij gebruik van materialen met houtlagen mogen de kleefstoffen geen formaldehyde afgeven. Indien andere materialen dan hout in de saunacabine worden gebruikt, moeten deze hitte- en roestbestendig zijn en mogen deze materialen geen negatieve invloed hebben op de gezondheid van de saunagasten.
- De hoogte van de saunacabine moet minstens 1,9 m bedragen.
- Neem de gegevens over volume en ventilatie van de saunacabine in acht in hoofdstuk **12. Technische gegevens**.
- Neem bij het opstellen van de saunakachel de minimale veiligheidsafstanden in acht (zie hoofdstuk **4.2. Veiligheidsafstanden**).
- Neem ook de plaatselijke bepalingen op de plaats van opstelling in acht.
- Raadpleeg voor problemen die in de montageaanwijzingen niet uitvoerig genoeg werden behandeld in het belang van uw eigen veiligheid uw leverancier.

2.3. Veiligheidsaanwijzingen voor de gebruiker

- Het apparaat mag niet door kinderen onder 8 jaar worden gebruikt.
- Het apparaat mag door kinderen boven 8 jaar, door personen met verminderde psychische, sensorische of mentale vaardigheden en door personen met gebrek aan ervaring en kennis worden gebruikt, mits:
 - onder toezicht.
 - indien veilig gebruik werd gedemonstreerd en ze de gevaren die kunnen ontstaan, begrijpen.
- Kinderen mogen niet met het apparaat spelen.
- Kinderen onder 14 jaar mogen het apparaat alleen onder toezicht reinigen.
- Maak in het belang van uw eigen gezondheid geen gebruik van de sauna, indien u onder invloed staat van alcohol, medicamenten of drugs.
- Gebruik de saunakachel in geen geval zonder saunastenen, omdat anders brand kan ontstaan.
- Controleer of er geen brandbare voorwerpen op de saunakachel liggen voordat u de saunabesturing inschakelt.
- Verwarm de saunakachel **VOOR** het eerste saunabad een half uur. Betreed gedurende deze tijd de saunacabine **NIET**. Ventileer de saunacabine vervolgens grondig (zie **6.4. Eerste keer verwarmen** op pagina **21**).
- Raak de saunakachel tijdens bedrijf nooit aan. Het oppervlak van de saunakachel en de saunastenen worden zeer heet.
- Raadpleeg voor problemen die in de gebruiksaanwijzing niet uitvoerig genoeg werden behandeld in het belang van uw eigen veiligheid uw leverancier.

3. Productbeschrijving

3.1. Leveromvang

- Saunakachel
- Montagemateriaal
- Beschermerooster
- Voeleradapter (alleen HWO-080 tot HWO-105)
- Opgietslang met opgietschaal
- Stickers „Waarschuwingen steenhouders” en „Niet afdekken”
- Montage- en gebruiksaanwijzing

3.2. Optionele accessoires

<i>Toebehoren</i>	<i>Artikelnummer</i>
Vermogensuitbreiding	O-S2-18 / O-S2-18S / O-S2-30

3.3. Productfuncties

Deze achterwandkachel is een Finse saunakachel en zorgt voor het karakteristieke Finse saunaklimaat van 80 tot 100 °C bij een luchtvochtigheid van ca. 10%.

Met de opgietslang kan water op de saunastenen worden gegoten. Hierdoor verdampt water en wordt de luchtvochtigheid in de saunacabine verhoogd.

4. Montage en aansluiting

Neem volgende punten in acht bij het opstellen en aansluiten van de saunakachel:



WAARSCHUWING!

Gevaar voor elektrische schok

- Voer de montage- en aansluitwerkzaamheden aan de saunakachel alleen in stroomloze toestand uit.
- De elektrische aansluiting mag alleen door een electricien of een vergelijkbaar gekwalificeerde persoon worden uitgevoerd.
- Op de plaats van opstelling moet een volledige scheidingsinrichting met complete uitschakeling overeenkomstig de overspanningscategorie III worden aangebracht.
- Positioneer de saunakachel niet op een ondergrond van licht brandbaar materiaal zoals hout of kunststof. Een geschikte ondergrond is bijvoorbeeld keramiek.

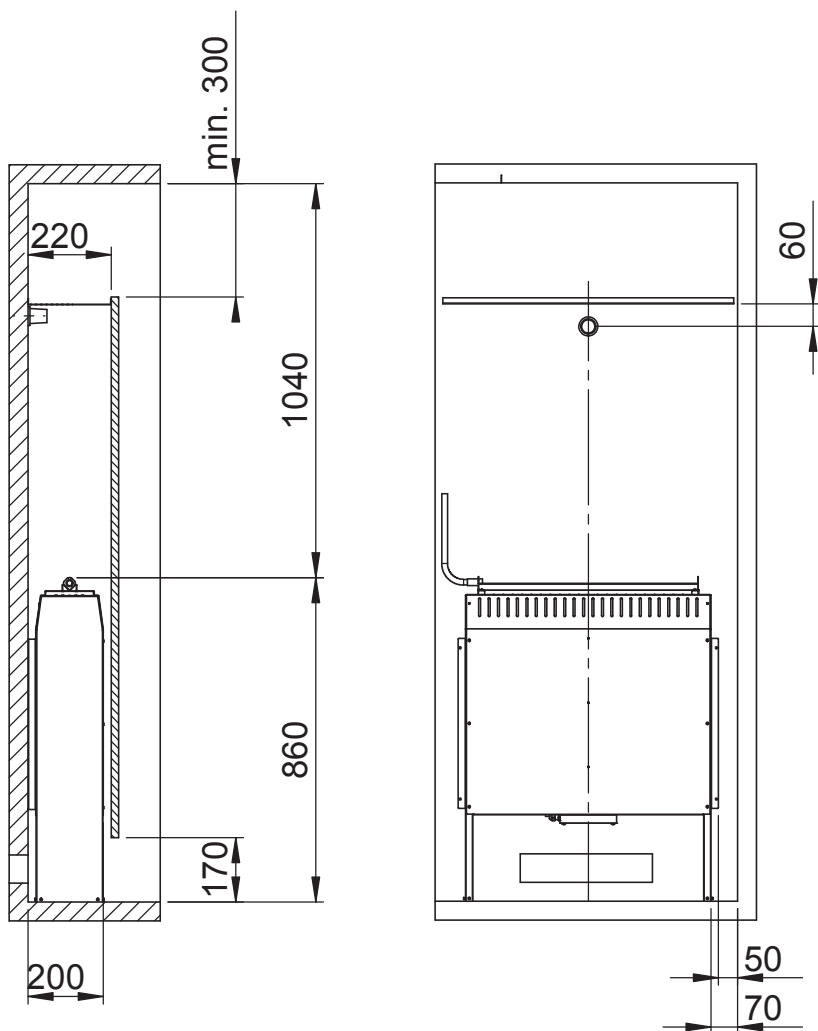
4.1. Opstelplaats

Plaats de kachel in het midden voor de luchtinlaat in de cabinewand. Houd hierbij de in **afb. 1** aangegeven veiligheidsafstanden tot de cabinewand aan.

4.2. Veiligheidsafstanden

Neem de in **afb. 1** aangegeven minimale veiligheidsafstanden in acht.

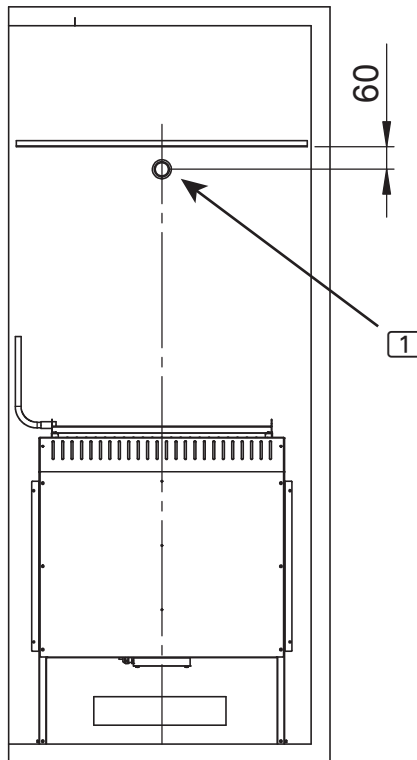
afb. 1 Veiligheidsafstanden achterwandkachel
(HWO-090NS-P / HWO-105NS-P)
Afmetingen in mm



4.3. Voelerpositie

In tegenstelling tot de voelermontage van uw saunabesturing wordt de kachelvoeler gemonteerd zoals in **afb. 2**. Monteer de kachelvoeler **1** in het midden boven de kachel, 60 mm (voelermidden) onder het beschermrooster. Neem ook de onder „**Veiligheidsafstanden**” op **pagina 10** aangegeven afmetingen van het beschermrooster in acht.

afb. 2



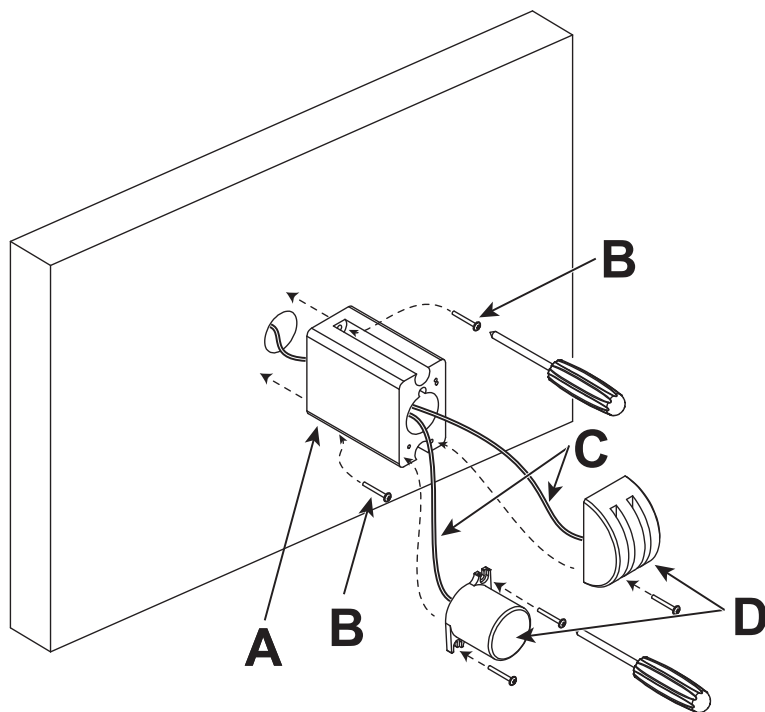
4.4. Montage voeleradapter

Bevestig de voeleradapter **A** (bij de levering van de kachel inbegrepen) op de onder „**Voelerpositie**” op pagina 11 aangegeven positie met de houtschroeven **B** aan de saunawand.

Leid de voelercabel **C** door de voeleradapter **A** en de saunawand.

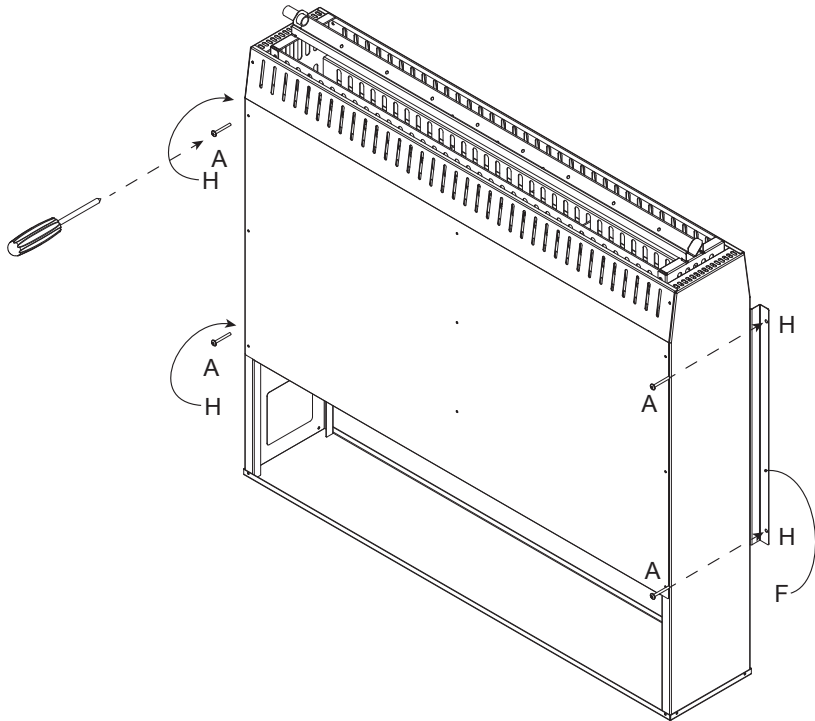
Monteer nu de voeler **D** aan de korte zijde van de voeleradapter **A**.

Let op dat de schroeven in de aangegeven gaten vallen.



4.5. Bevestiging van de kachel aan de saunawand

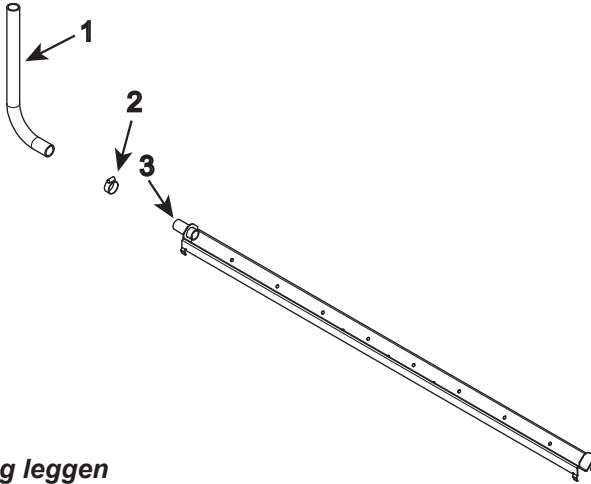
Om de kachel te bevestigen en te borgen tegen wegglijden of omvallen, dient u deze met de bijgeleverde houtschroeven **A** door de bevestigingsgaten **H** in de aan beide zijden aanwezige montageflenzen **F** te bevestigen.



4.6. Montage van de opgietslang

Steek de slangklem **2** in geopende toestand op de opgietslang **1**. Schuif de slang over het aansluitstuk **3**.

Draai de slangklem met een schroevendraaier vast.



Opgietslang leggen

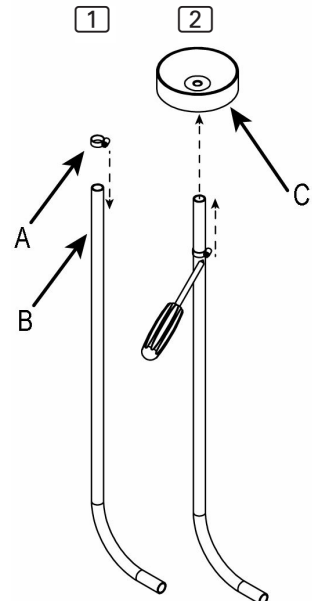
Zorg bij het leggen van de slang voor een ononderbroken daling. Water dat zich op lage punten verzamelt, kan na langere gebruikspauzes leiden tot een verslechtering van de luchtkwaliteit.

1

Open de slangklem **A** volledig en leid deze over de opgietslang **B**.

2

Leid nu de opgietslang over het aansluitstuk van de opgietschaal **C**. Bevestig de slang met de slangklem **A**.



5. Elektrische aansluiting

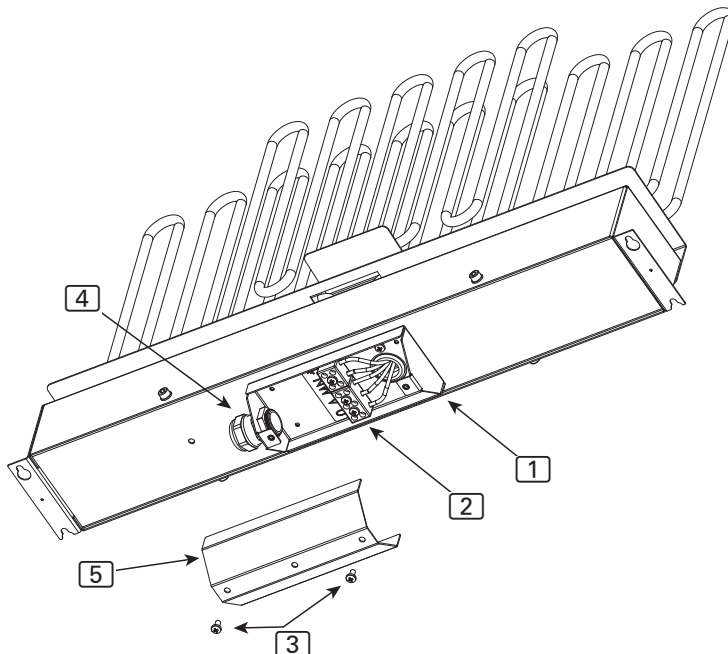


ATTENTIE!

Gevaar voor elektrische schok

- Voer de montage- en aansluitwerkzaamheden aan de saunakachel alleen in stroomloze toestand uit.

1. Draai de schroeven **3** van de afdekking **5** los.
2. Trek de afdekking **5** van de aansluitkast **1** af.
3. Leid de kabel door de doorvoering **4**.
4. Sluit de aders U - V - W - N - PE van de kabel aan op de desbetreffende klemmen **2**.

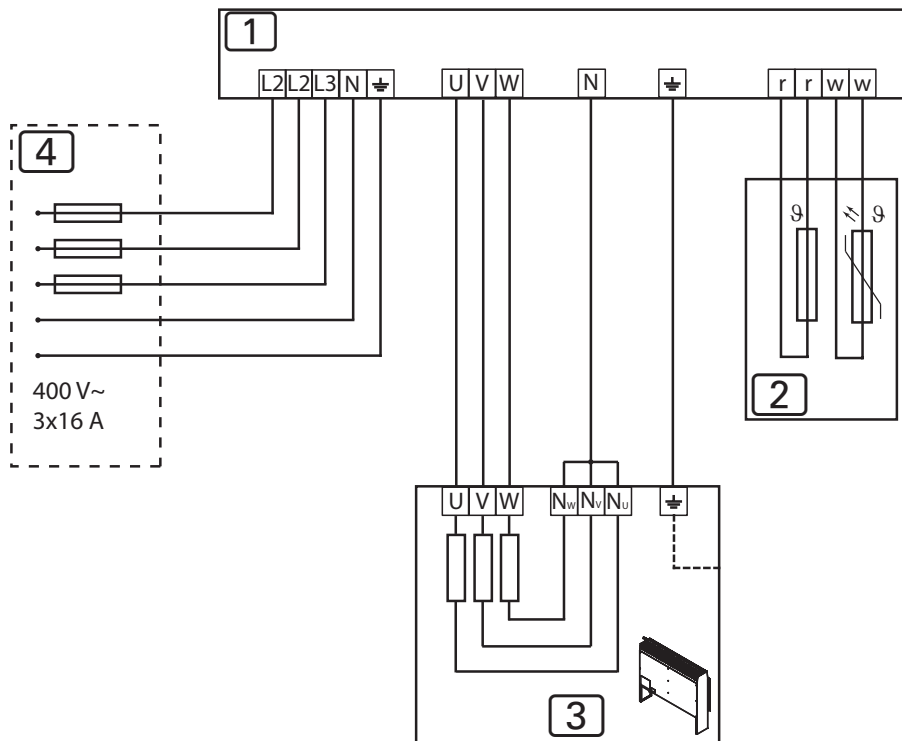


NL

5. Draai de doorvoering **4** vast.
6. Plaats de afdekking **5** weer op de aansluitkast **1** en bevestig deze met de schroeven **3**.

5.1. Aansluitschema 400V 3N~

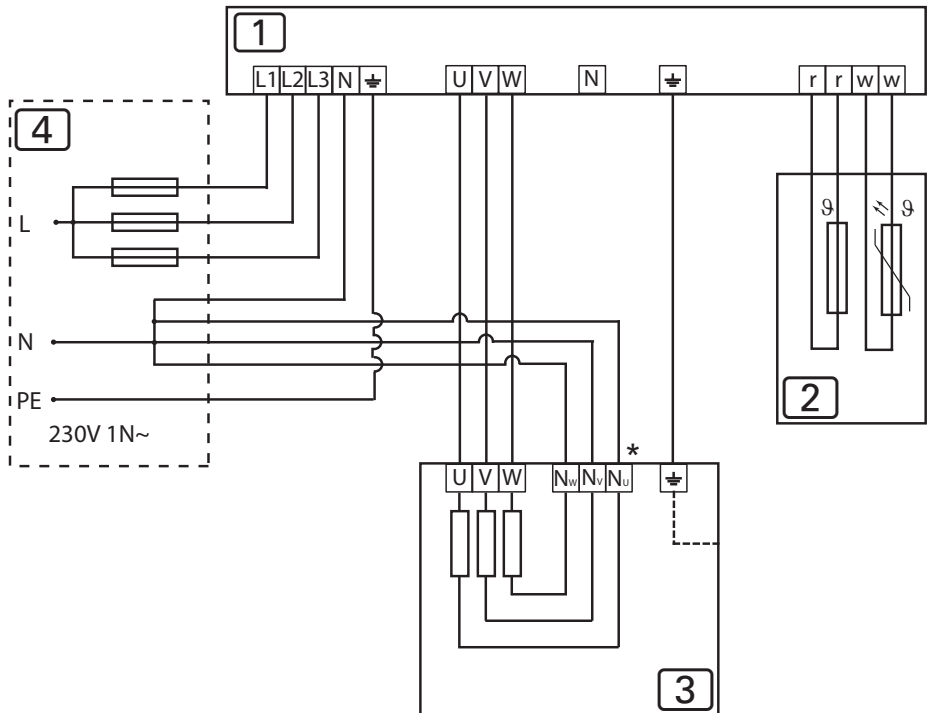
afb. 3 Aansluitschema
(HWO-090NS-P / HWO-105NS-P)



- 1 Saunabesturing
- 2 Temperatuurvoeler met oververhittingsbeveiliging
- 3 Achterwandkachel
- 4 Stroomvoorziening

5.2. Aansluitschema 230V 1N~

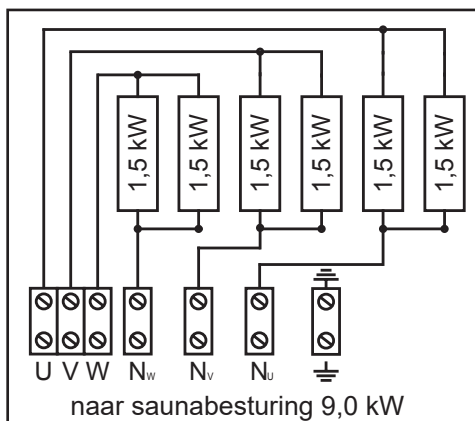
afb. 4 Aansluitschema
(HWO-090NS-P / HWO-105NS-P)



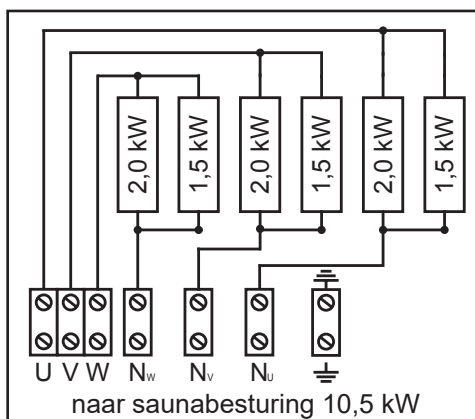
- 1 Saunabesturing
- 2 Temperatuurvoeler met oververhittingsbeveiliging
- 3 Achterwandkachel
- 4 Stroomvoorziening
- * Koper-brug verwijderen

5.3. Bedradingschema's

HWO-090NS



HWO-105NS



6. Inbedrijfstelling

6.1. Steenhouder vullen



WAARSCHUWING!

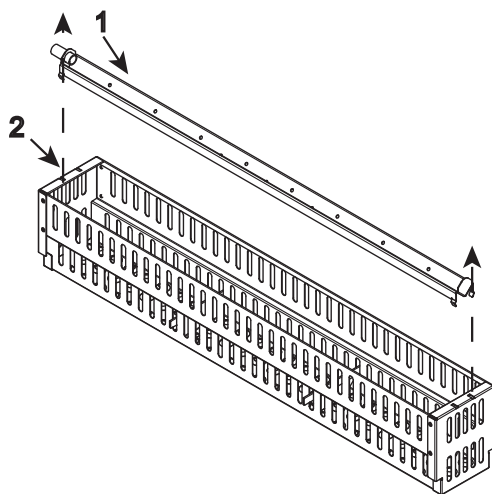
Brandgevaar door oververhitting

Als de saunakachel zonder saunastenen wordt gebruikt, worden de cabinewanden zeer heet. Hierdoor kan brand ontstaan.

- Gebruik de saunakachel **NOOIT** zonder saunastenen.

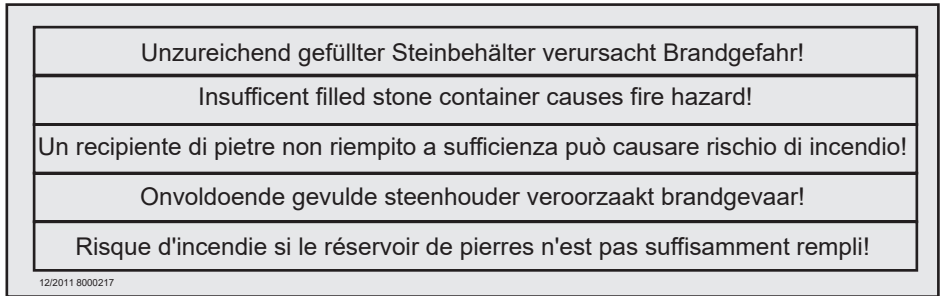
De voor uw kachelvermogen geschikte hoeveelheid stenen vindt u in hoofdstuk **12. Technische gegevens** (zie pagina **26**).

1. Borstel de saunastenen voor gebruik grondig met water. Gebruik geen reinigingsmiddelen.
2. Controleer de stenen voor vullen in de saunakachel op vreemde deeltjes en verwijder verpakkingsresten.
3. Trek de opgietsgoot **1** van de steenhouder **2** naar boven los en vul de steenhouder **2** gelijkmatig met de voor de kachel geschikte hoeveelheid stenen.
4. Arrangeer de saunastenen los ten opzichte van elkaar, zodat nog lucht tussen de tussenuitruimtes kan doorstromen. De saunastenen mogen niet over de rand van de steenhouder uitkomen.
5. Plaats de opgietsgoot **1** weer in de steenhouder. Let op dat deze correct vergrendelt.



6.2. Plaatsen van het waarschuwingsbord voor de steenhouders

Het bij de kachel geleverde waarschuwingsbord moet goed zichtbaar in de cabine worden aangebracht.



6.3. Plaatsen van het waarschuwingsbord „Niet afdekken”

Het bij de kachel geleverde waarschuwingsbord moet goed zichtbaar in de cabine en in de buurt van de kachel worden aangebracht.



6.4. Eerste keer verwarmen



VOORZICHTIG!

Rook- en geurvorming bij de eerste keer verwarmen

Op nieuwe verwarmingsstaven bevinden zich bedrijfsstoffen van het productieproces. Deze verdwijnen bij de eerste keer verwarmen van de saunakachel. Hierbij ontstaan rook en een onaangename geur. Als u deze dampen of de rook inademt, is dit schadelijk voor uw gezondheid.

Voer de volgende stappen uit, als u uw saunakachel **de eerste keer in bedrijf neemt** en nadat de **verwarmingsstaven van uw saunakachel vervangen** werden. Zo voorkomt u schade aan uw gezondheid door dampen en rook die ontstaan bij de eerste keer verwarmen.

1. Kies op de saunabediening de hoogst mogelijke temperatuur.
2. Verwarm de saunakachel gedurende een half uur.
Betreed gedurende deze tijd de saunacabine NIET.
3. Ventileer de saunacabine na de eerste keer verwarmen goed.
4. Als bij de volgende keer verwarmen geen rook en geuren meer ontstaan, kunt u met het eerste saunabad beginnen.
Als opnieuw rook en geuren ontstaan, de saunacabine onmiddellijk verlaten en de eerste keer verwarmen en aansluitend luchten herhalen.

7. Bediening



WAARSCHUWING!

Brandgevaar

Brandbare voorwerpen die op de hete saunakachel of boven de kachel in de luchtschachten liggen, kunnen ontvlammen en brand veroorzaken.

- Leg **NOOIT** brandbare voorwerpen op de saunakachel.
 - Controleer of **GEEN** brandbare voorwerpen op de saunakachel liggen, alvorens de saunakachel in te schakelen.
-

7.1. Saunakachel bedienen

De saunakachel wordt bediend met een saunabesturing. Voor informatie over bediening van saunabesturing leest u de bedieningshandleiding van het gebruikte apparaat. Let op dat de achterwandkachel alleen geschikt is voor saunabesturingen zonder startfunctie op afstand.

7.2. Opgieten

Aan het einde van de saunagang kunt u opgieten. Giet daarvoor water met een saunalepel in de opgietschaal. Hierdoor verdampt water en wordt de luchtvochtigheid in de saunacabine verhoogd.



Door de opgietslang wordt het opgieten vertraagd. Wacht na het vullen van de opgietschaal tot het water volledig is doorgelopen.

Neem voor opgieten de volgende punten in acht:

- Gebruik voor opgieten alleen leidingwater. Zeewater, sterk kalkhoudend water en chloorwater kunnen de saunakachel beschadigen.
- Gebruik alleen geurstoffen en etherische oliën die uitdrukkelijk voor gebruik als opgietsmiddel in sauna's geschikt zijn. Neem de fabrikantgegevens op de verpakking van het opgietsmiddel in acht.
- Giet het water niet te snel in de opgietschaal. Alleen dan verdampt het opgietswater volledig.

8. Onderhoud

8.1. Langere bedrijfspauzes

In vochtige omgevingen of bij lange bedrijfspauzes verzamelt zich vocht in de verwarmingsstaven. Dit is een fysisch proces en geen fout van de fabrikant. Het vocht in de verwarmingsstaven kan leiden tot het activeren van de aardlekschakelaar. Raadpleeg in dit geval een elektricien om de storing te verhelpen (zie hoofdstuk **10. Oplossen van problemen door de monteur**).



Verwarm de saunakachel elke 5 tot 6 weken gedurende ca. 15 minuten. Zo voorkomt u dat zich na langere bedrijfspauzes water in de verwarmingsstaven verzamelt.

8.2. Saunakachel reinigen

De ventilatieopeningen moeten vrij zijn van pluizen en stof. Zo wordt voorkomen dat de luchtcirculatie in de saunakachel wordt gereduceerd en het apparaat oververhit raakt.

8.3. Saunastenen wisselen

Opgietmiddel en grote temperatuurverschillen tijdens gebruik zijn van invloed op saunastenen. De saunastenen kunnen worden aangetast en breekbaar worden.

Controleer de saunastenen regelmatig en vervang de stenen jaarlijks.



WAARSCHUWING!

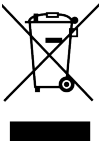
Brandgevaar door oververhitting

Als de saunakachel zonder saunastenen wordt gebruikt, worden de cabinewanden zeer heet. Hierdoor kan brand ontstaan.

- Gebruik de saunakachel **NOOIT** zonder saunastenen.
-

1. Verwijder de oude saunastenen.
2. Verwijder kalkresten, stof en andere verontreinigingen van de steenhouder.
3. Borstel de saunastenen voor gebruik grondig met water. Gebruik geen reinigingsmiddelen.
4. Controleer de stenen voor vullen in de saunakachel op vreemde deeltjes en verwijder verpakkingsresten.
5. Plaats de saunastenen in de steenhouder. Arrangeer de saunastenen los ten opzichte van elkaar, zodat nog lucht tussen de tussenruimtes kan doorstromen.
6. De saunastenen mogen niet over de rand van de steenhouder uitkomen.

9. Afvoer



- Voer het verpakkingsmateriaal af volgens de geldende afvoer-richtlijnen.
- Oude apparaten bevatten opnieuw bruikbare materialen maar ook schadelijke stoffen. Deponeer uw oude apparaat daarom in geen geval bij het gewone afval, maar voer het apparaat af volgens de plaatselijk geldende voorschriften.

10. Oplossen van problemen door de monteur

Verwarmingsstaven verwarmen

Vochtige omgevingsomstandigheden of lange bedrijfspauzes kunnen leiden tot achterblijven van vocht in de verwarmingsstaven. Dit is een fysisch proces en geen fout van de fabrikant. Het vocht in de verwarmingsstaven kan eventueel leiden tot het activeren van de aardlekschakelaar.

In dit geval moet de saunakachel onder toezicht van een elektricien worden gedroogd door verwarmen. Daarom moet de zekeringfunctie van de aardlekschakelaar buiten werking worden gesteld. Drogen door verwarmen duurt ongeveer 10 minuten. Daarna moet de zekeringfunctie van de aardlekschakelaar weer worden hersteld.

Als het probleem verder bestaat, raadpleeg dan uw leverancier.

11. Reserveonderdelen

<i>Artikel-nummer</i>	<i>Verwarmingsstaven</i>
HWO-090NS	6 x SCA150 (1-028-518)
HWO-105NS	3 x SCA150 (1-028-518) / 3 x SCA200 (1-043-503)

<i>Artikel-nummer</i>	<i>Benaming</i>
1-028-845	Kachelbeschermrooster voor 8,0 - 10,5 kW
1-028-297	Opgietschaal

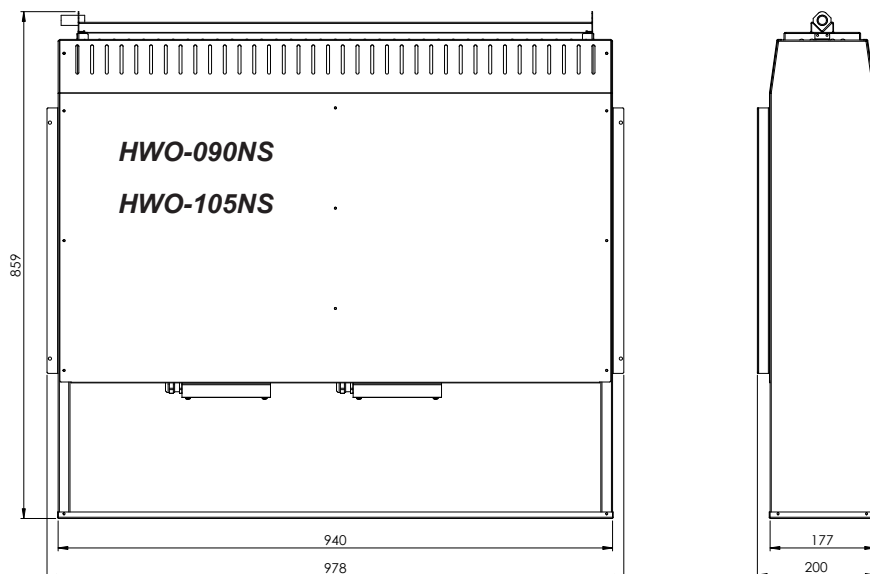
12. Technische gegevens

Artikel-nummer	Vermogen [kW]	Cabinevolume [m ³]	Minimumgrootte ventilatieopening [mm]	Gewicht zonder stenen [kg]
HWO-090NS	9,0 kW	9 - 14 m ³	350 x 50	32
HWO-105NS	10,5 kW	10 - 15 m ³	350 x 60	32

Artikel-nummer	Steenhoeveelheid [kg]	Zekering [A]	Voeding
HWO-090NS	ca. 15	3 x 16 / 1 x 50	400 V AC 3N~ 50/60 Hz 230 V AC 1N~ 50/60 Hz
HWO-105NS	ca. 15	3 x 16 / 1 x 50	400 V AC 3N~ 50/60 Hz 230 V AC 1N~ 50/60 Hz

13. Afmetingen

Gegevens in mm.



Bastuaggregat

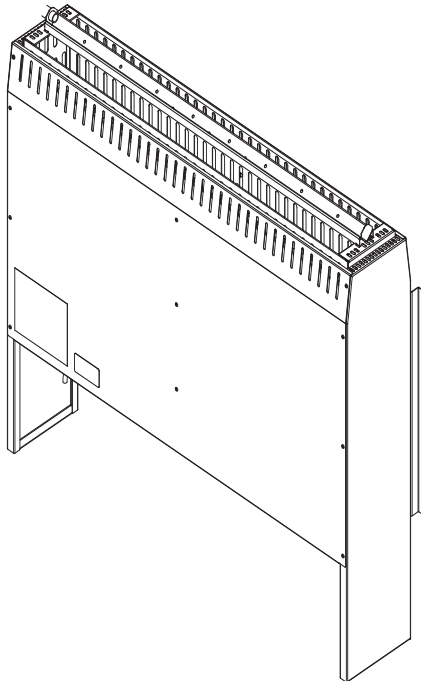
Bastuaggregat för fondvägg

HWO-090NS-P/1-027-800: Bastuaggregat för fondvägg 9,0 kW

HWO-105NS-P/1-027-801: Bastuaggregat för fondvägg 10,5 kW

MONTERINGS- OCH BRUKSANVISNING

Svenska



SV

Innehållsförteckning

1. Om monterings- och bruksanvisningen	4
2. Viktig säkerhetsinformation	5
2.1. Ändamålsenlig användning	5
2.2. Säkerhetsanvisningar för installatören	5
2.3. Säkerhetsanvisningar för användaren	7
3. Produktbeskrivning	8
3.1. Leveransomfattning	8
3.2. Valfria tillbehör	8
3.3. Funktioner	8
4. Installation och anslutning	9
4.1. Uppställningsplats	9
4.2. Säkerhetsavstånd	10
4.3. Givarens läge	11
4.4. Montering givaradapter	12
4.5. Fastsättning av bastuaggregatet på bastuväggen	13
4.6. Montering av hållslangen	14
5. Elanslutning	15
5.1. Kopplingsschema för 400 V 3N~	16
5.2. Kopplingsschema för 230V 1N~	17
5.3. Elscheman	18

6. Driftstart	19
6.1. Fylla på stenkorgen.....	19
6.2. Placering av stenkorgens informationsskylt.....	20
6.3. Placering av informationsskylten "Täck inte över".....	20
6.4. Den första uppvärmningen.....	21
7. Användning	22
7.1. Användning.....	22
7.2. Hälla vatten på stenarna.....	22
8. Underhåll	23
8.1. Längre användningsuppehåll.....	23
8.2. Rengöring av bastuaggregatet.....	23
8.3. Byta bastustenar.....	23
9. Avfallshantering	24
10. Felavhjälpning utförd av installatören	25
11. Reservdelar	25
12. Tekniska data	26
13. Mått	26

1. Om monterings- och bruksanvisningen

Läs hela monterings- och bruksanvisningen noga och förvara den sedan i närheten av bastun. Du kan då när som helst läsa de specifika säkerhets- och användningsanvisningarna.



Den här monterings- och bruksanvisningen kan även laddas ner från vår webbsida, www.sentiotec.com/downloads.

Symboler och varningar

I den här monterings- och bruksanvisningen används olika varningssymboler vid avsnitt som beskriver situationer som kan medföra fara eller risker av olika slag. Dessa varningar ska alltid beaktas. På så sätt undviker man sakskador och personskador, som i värsta fall kan ha dödlig utgång.

Följande signalord används:



FARA!

Om de här varningarna/anvisningarna inte följs leder det till allvarliga eller livsfarliga skador.



VARNING!

Om de här varningarna/anvisningarna inte följs kan det leda till allvarliga eller livsfarliga skador.



FÖRSIKTIGHET!

Om de här varningarna/anvisningarna inte följs kan det leda till lindriga skador.

OBS!

Varnar för sakskador.

Övriga symboler



Används vid tips och nyttig information.



Täck inte över!



Läs bruksanvisningen

2. Viktig säkerhetsinformation

Det här bastuaggregatet för fondvägg har konstruerats och tillverkats enligt vedertagna säkerhetstekniska regler. Det kan ändå uppstå vissa risker under användningen. Följ alltid nedanstående säkerhetsanvisningar och observera de särskilda varningarna i resp. kapitel.

2.1. Ändamålsenlig användning

Bastuaggregatet för fondvägg är endast avsett att användas för uppvärmning av basturum i kombination med en styrenhet utan fjärrstart.

All annan användning betraktas som ej ändamålsenlig. Ej ändamålsenlig användning kan leda till skador på produkten och innebära risk för allvarliga eller livsfarliga skador.

2.2. Säkerhetsanvisningar för installatören

- Bastuaggregatet får endast installeras och anslutas i spänningslöst tillstånd.
- Montering/installation får endast utföras av elektriker.
- På plats ska en allpolig frånskiljare med komplett avstängning enligt överspänningskategori III installeras.
- Använd endast silikonkablar med värmetålighet upp till 150 °C för anslutning av bastuaggregatet.
- Installera endast ett bastuaggregat i varje basturum. Bastuaggregatet för fondvägg får inte användas i ett basturum tillsammans med andra bastuaggregat.

- Bastuns väggar och tak ska vara tillverkade av obehandlat eller termiskt behandlat trä med låg hartshalt, t.ex. nordisk gran, hemlock, tall eller ädelgran, eller av flerskikts träskivor. Om flerskikts träskivor används får limmet inte innehålla formaldehyd. Om andra material än trä används i bastun måste de vara värme- och korrosionsbeständiga och får inte utgöra någon hälsorisk för bastubadarna.
- Basturummet ska ha minst 1,9 meters takhöjd.
- Beakta uppgifterna om volym och ventilation av basturummet i kapitel **12. Tekniska data**.
- Observera min. avstånden vid installation av bastuaggregatet (se kapitel **4.2. Säkerhetsavstånd**).
- Följ gällande lokala bestämmelser.
- Om det uppstår problem som inte beskrivs tillräckligt detaljerat i monteringsanvisningarna, vänd dig, för din egen säkerhets skull, till leverantören/återförsäljaren.

2.3. Säkerhetsanvisningar för användaren

- Barn under 8 år får inte använda utrustningen.
- Under följande förutsättningar får utrustningen användas av barn över 8 år, av personer med nedsatt psykisk, sensorisk eller mental förmåga och av personer som saknar erfarenhet och kunskap om liknande utrustningar:
 - under uppsikt.
 - när de har instruerats om säker användning och känner till vilka risker som kan uppstå.
- Utrustningen är ingen leksak. Barn får inte leka med den.
- Barn under 14 år får endast rengöra utrustningen under uppsikt.
- Av hälsoskäl bör man inte bada bastu när man är påverkad av alkohol, läkemedel eller droger.
- Använd aldrig bastuaggregatet utan bastustenar - det kan medföra brandrisk.
- Kontrollera att det inte finns några brännbara föremål på bastuaggregatet innan styrenheten slås på.
- Värm upp bastuaggregatet en halvtimme INNAN du ska använda bastun för första gången. Vistas INTE i basturummet under denna tid. Vädra därefter basturummet ordentligt (se **6.4. Den första uppvärmningen** på sidan **21**).
- Vidrör aldrig bastuaggregatet när det är igång. Bastuaggregatets yta och bastustenarna blir mycket varma.
- Om det uppstår problem som inte beskrivs tillräckligt detaljerat i bruksanvisningen, vänd dig, för din egen säkerhets skull, till leverantören/återförsäljaren.

3. Produktbeskrivning

3.1. Leveransomfattning

- Bastuaggregat
- Monteringsmaterial
- Skyddsgaller
- Givaradapter (endast HWO-080 till HWO-105)
- Hällslang med hällskål
- Etikett "Varningar stenkorg" och "Täck inte över"
- Monterings- och bruksanvisning

3.2. Valfria tillbehör

<i>Tillbehör</i>	<i>Artikelnummer</i>
Effektförstärkare	O-S2-18/O-S2-18S / O-S2-30

3.3. Funktioner

Bastuaggregatet för fondvägg är ett finsk bastuaggregat som skapar ett typiskt, finskt bastuklimat med en temperatur på 80 till 100 °C och en luftfuktighet på ca 10 %.

Det är möjligt att hålla vatten på bastustenarna med hjälp av hällslangen. Vattnet förångas och luften blir fuktigare i bastun.

4. Installation och anslutning

Observera följande punkter vid installation och anslutning av bastuaggregatet:



VARNING!

Risk för elektriska stötar

- Montering/installation och anslutning av bastuaggregatet får endast göras i spänningslöst tillstånd.

- Elanslutningarna får endast utföras av utbildad elektriker.
- På plats ska en allpolig frånskiljare med komplett avstängning enligt över-spänningskategori III installeras.
- Placera inte bastuaggregatet på ett golv av lätt brännbart material som t.ex. trä eller plast. Lämplig golvbeläggning är t.ex. keramiklinkers.

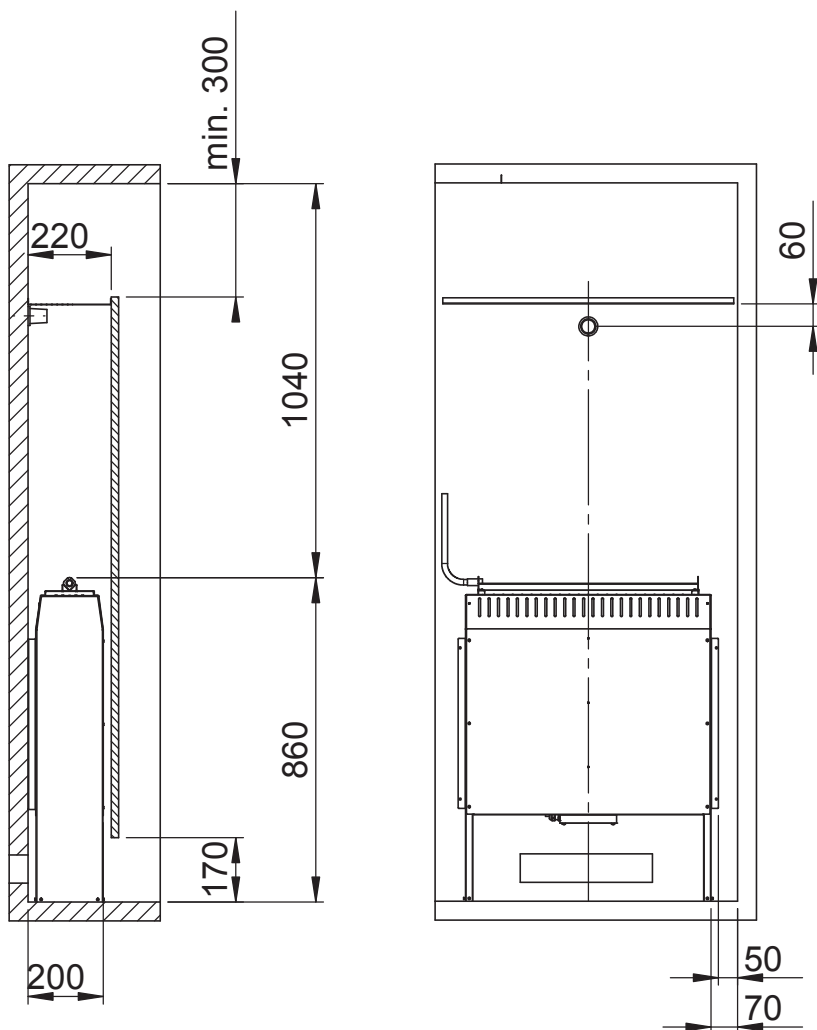
4.1. Uppställningsplats

Ställ upp aggregatet mitt framför luftintaget på bastuväggen. Observera säkerhetsavstånden till väggen som anges på **Bild 1**.

4.2. Säkerhetsavstånd

Beakta säkerhetsavstånden som anges på **Bild 1**.

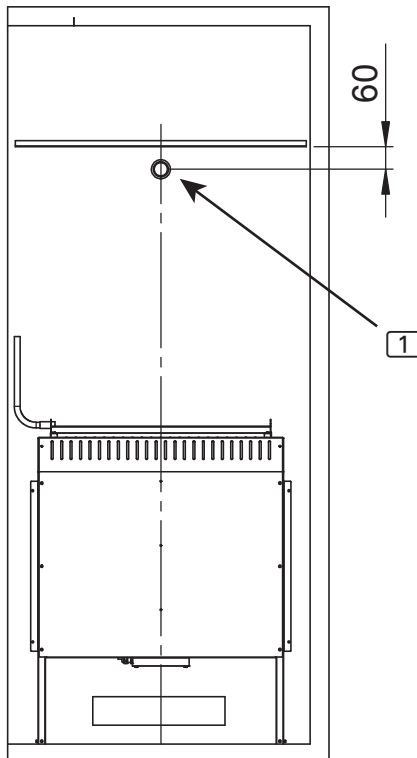
Bild 1 Säkerhetsavstånd för bastuaggregat för fondvägg
(HWO-090NS-P/HWO-105NS-P)
Mått i mm



4.3. Givarens läge

I motsats till hur styrenhetens givare ska monteras, monterar man aggregatgivaren enligt **Bild 2**. Montera aggregatgivaren **1** centralt över aggregatet, 60 mm (givarens mitt) under skyddsgallret. Observera också måtten för skyddsgaller i ”Säkerhetsavstånd” på sidan 10.

Bild 2



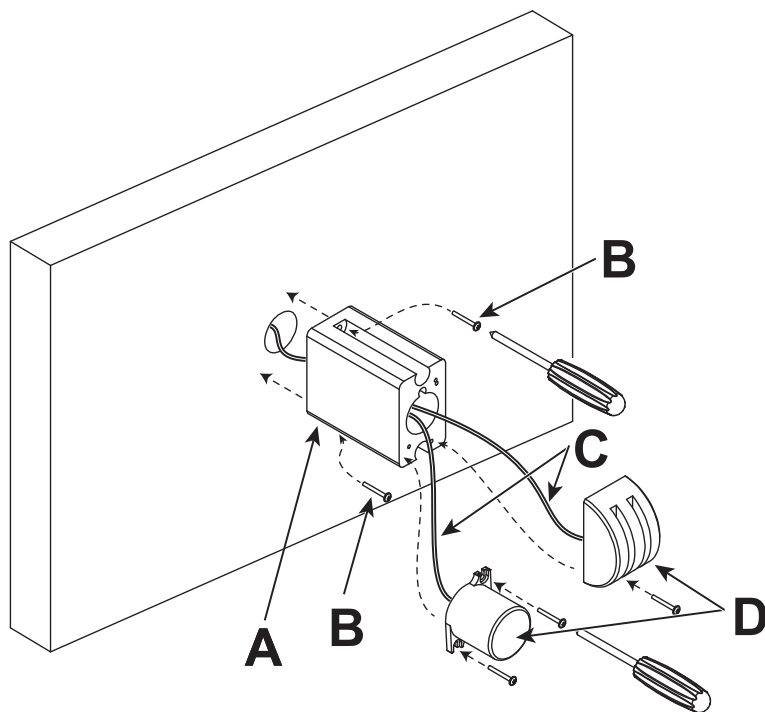
4.4. Montering givaradapter

Fäst givaradaptern **A** (följer med bastuaggregatet) i läget som anges i ”**Givarens läge**” på **sidan 11** med träskruvarna **B** i bastuväggen.

Led givarkabeln **C** genom givaradaptern **A** och bastuväggen.

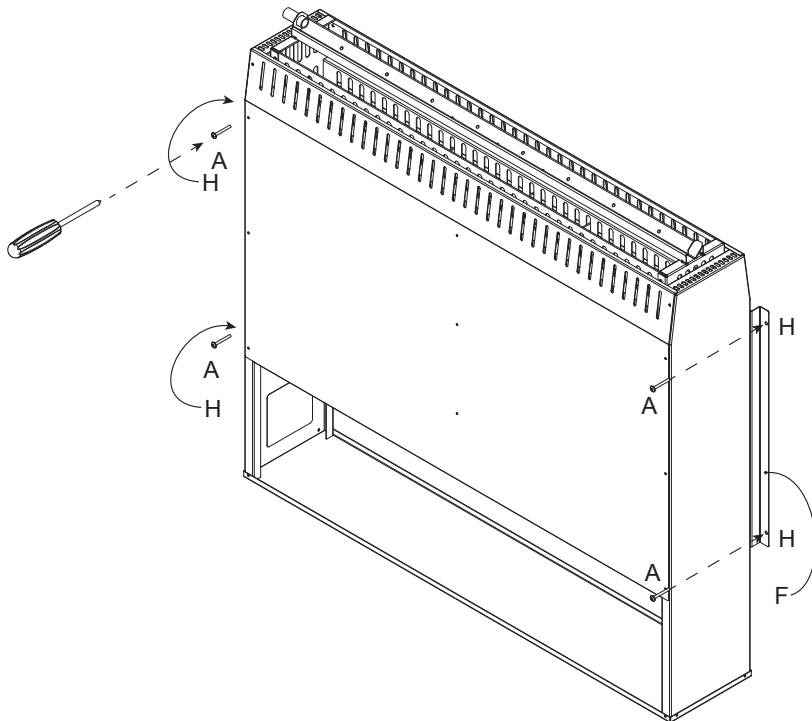
Montera nu givaren **D** på givaradapterns framsida **A**.

Kontrollera att skruvarna hamnar i de förinställda kornstorlekarna.



4.5. Fastsättning av bastuaggregatet på bastuväggen

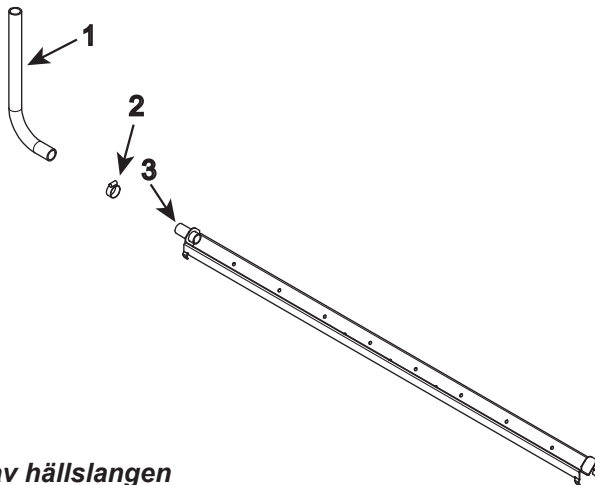
Sätt fast bastuaggregatet med de medföljande träskruvarna **A** genom fästhål-
len **H** i monteringsflänsarna, som sitter på båda sidor, **F** för att sätta fast ag-
gregatet och låsa fast det så att det inte glider eller faller ned.



4.6. Montering av hällslangen

Sätt slangklämman [2] i öppet tillstånd på hällslangen [1]. Skjut slangen över anslutningsdelen [3].

Dra fast slangklämman med en skruvdragare.



Dragning av hällslangen

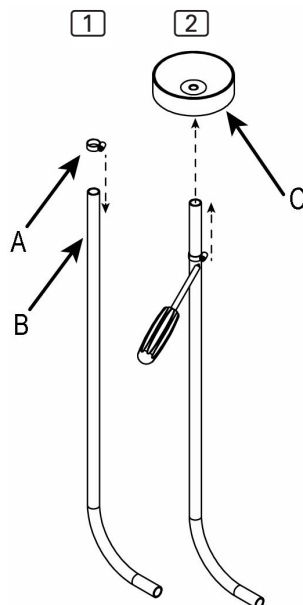
Kontrollera att slangen hela tiden dras i nedåtlutning. Vatten, som kan ansamlas i sänkor, kan efter längre driftuppehåll orsaka försämrade luftkvalitet.

[1]

Öppna slangklämman **A** helt och mata den över hällslangen **B**.

[2]

För nu hällslangen över hällskålens anslutningsdel **C**. Sätt fast slangen med slangklämman **A**.



5. Elanslutning

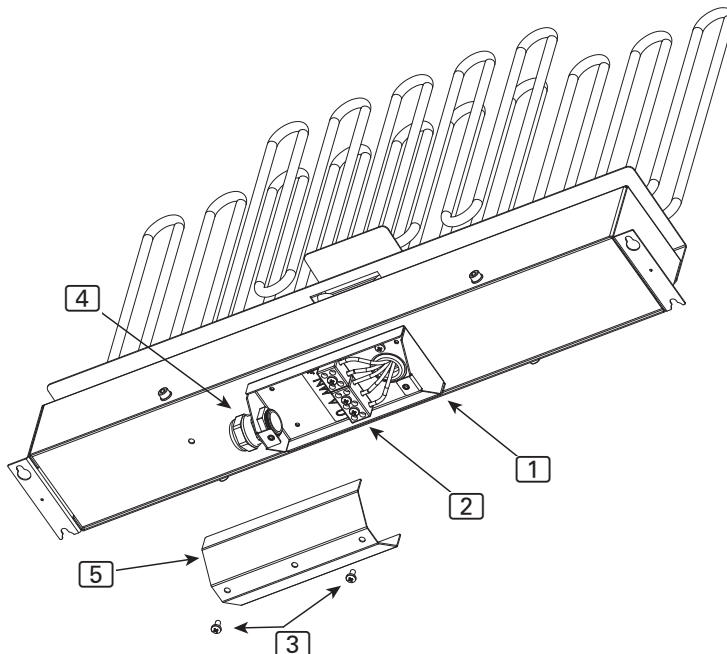


VARNING!

Risk för elektriska stötar

- Montering/installation och anslutning av bastuaggregatet får endast göras i spänningslöst tillstånd.

1. Lossa på skruvarna 3 för skyddet [5].
2. Dra bort skyddet [5] från anslutningsdosan [1].
3. Dra kabeln genom genomföringen [4].
4. Anslut ledarna U – V - W – N – PE för kabeln [2] till respektive klämma 2.

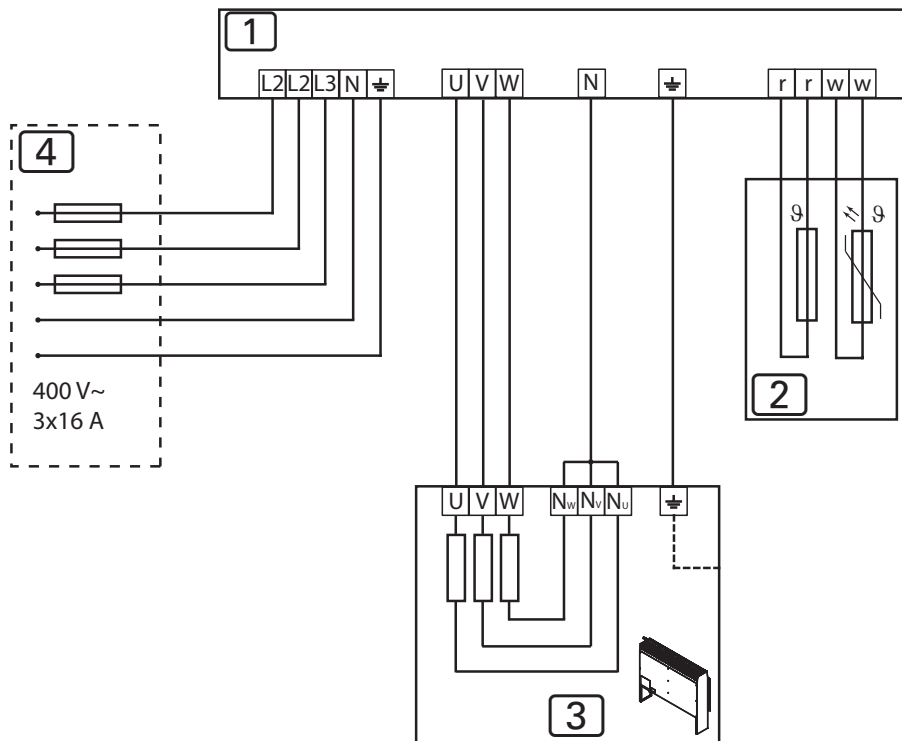


SV

5. Dra fast genomföringen 4.
6. Sätt tillbaka skyddet [5] på anslutningsdosan [1] och sätt fast med skruvarna [3].

5.1. Kopplingschema för 400 V 3N~

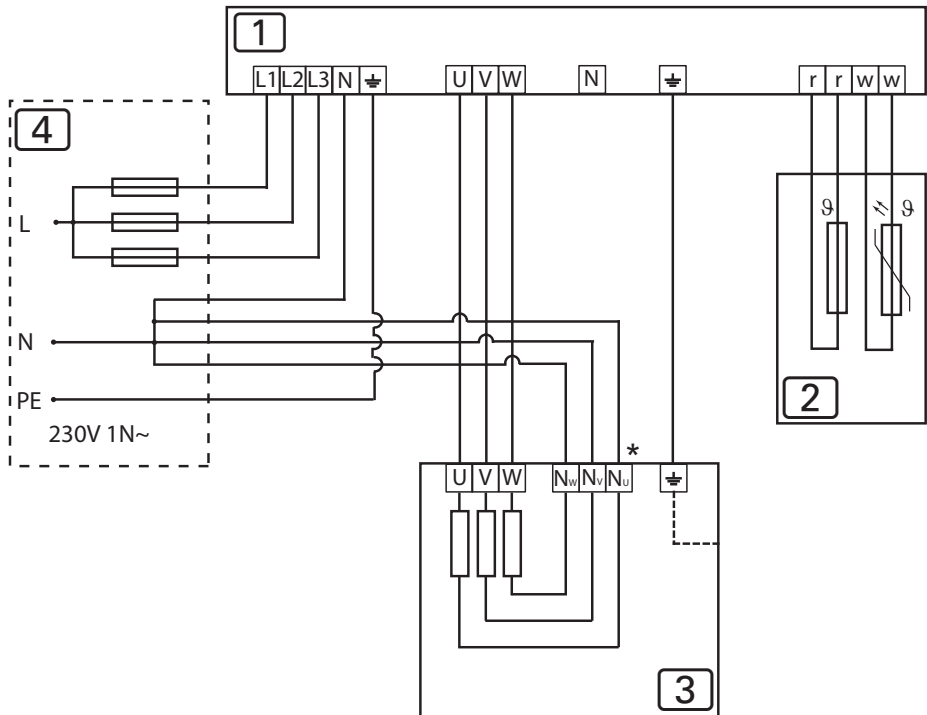
Bild 3 Kopplingschema
(HWO-090NS-P/HWO-105NS-P)



- 1 Styrenhet
- 2 Temperaturgivare med övertemperurskydd
- 3 Bastuaggregat för fondvägg
- 4 Strömförsörjning

5.2. Kopplingschema för 230V 1N~

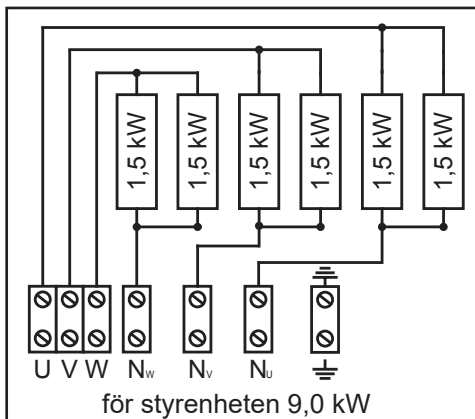
Bild 4 Kopplingschema
(HWO-090NS-P/HWO-105NS-P)



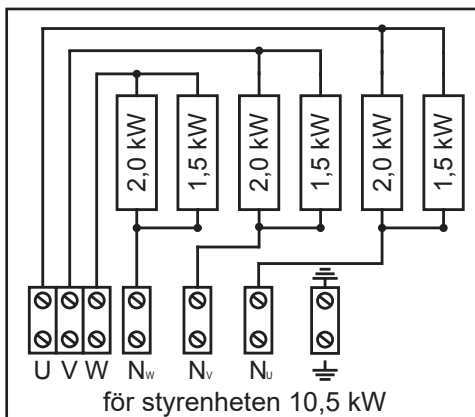
- 1 Styrenhet
- 2 Temperaturgivare med övertemperurskydd
- 3 Bastuaggregat för fondvägg
- 4 Strömförsörjning
- * Borttagning av kopparbryggan

5.3. Elschema

HWO-090NS



HWO-105NS



6. Driftstart

6.1. Fylla på stenkorgen

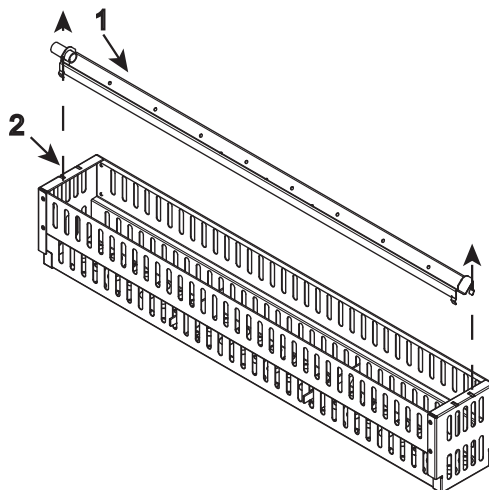
**VARNING!****Brandrisk på grund av överhettning**

Om bastuaggregatet används utan bastustenar blir bastuns väggar mycket varma. Detta kan orsaka eldsvåda.

- Använd INTE bastuaggregatet utan bastustenar.

Passande mängd stenar för resp. effekt anges i kapitel **12. Tekniska data** (se sidan **26**).

1. Rengör först bastustenarna noga med vatten och en borste. Använd inga rengöringsmedel.
2. Kontrollera om det finns främmande partiklar på stenarna och ta bort alla förpackningsrester innan de läggs in i bastuaggregatet.
3. Skjut bort hållrännan **1** från stenkorgen **2** i uppåtgående riktning och lägg lika mycket stenar i stenkorgen som det finns i bastuaggregatet **2**.
4. Lägg i bastustenarna löst på varandra så att luften kan cirkulera mellan dem. Se till att stenarna inte sticker ut ovanför stenkorgens kant.
5. Sätt tillbaka hållrännan **1** i stenkorgen. Kontrollera att den hakar fast korrekt.



6.2. Placering av stenkorgens informationsskylt

Informationsskylten som medföljer bastuaggregatet måste sättas upp så att den är lätt att se inuti bastun.

Otillräckligt fylld stenkorg medför brandrisk!
Insufficient filled stone container causes fire hazard!
Un recipiente di pietre non riempito a sufficienza può causare rischio di incendio!
Onvoldoende gevulde steenhouder veroorzaakt brandgevaar!
Risque d'incendie si le réservoir de pierres n'est pas suffisamment rempli!

12/2011 8000217

6.3. Placering av informationsskylten "Täck inte över"

Informationsskylten som medföljer bastuaggregatet måste sättas upp så att den är lätt att se inuti bastun och nära aggregatet.



6.4. Den första uppvärmningen

**AKTA!*****Rök- och luktutveckling vid den första uppvärmningen***

På nya värmestavar finns det rester från tillverkningsprocessen. Dessa bryts ner när bastuaggregatet värms upp för första gången. När detta sker bildas det rök och en obehaglig lukt. Inandning av röken och ångorna utgör en hälsofara.

Följ nedanstående anvisningar när du använder bastuaggregatet **för första gången** och när **värmestavarna i bastuaggregatet har bytts ut**. På det här sättet kan du undvika skadliga effekter av ångorna och röken som bildas vid den första uppvärmningen.

1. Välj den högsta möjliga temperaturen på styrenheten till bastun.
2. Värm upp bastuaggregatet under en halvtimme.
Vistas INTE i basturummet under denna tid.
3. Vädra bastun ordentligt efter den första uppvärmningen.

4. Om ingen rök eller lukt uppstår vid nästa uppvärmning kan du börja använda bastun.

Om rök eller lukt uppstår, lämna omedelbart basturummet, upprepa den första uppvärmningen och vädra därefter bastun igen.

7. Användning

**VARNING!****Brandrisk!**

Lättantändliga föremål, som ligger på det heta bastuaggregatet eller över aggregatet i luftschakten, antänds och förorsakar bränder.

- Lägg ALDRIG brännbara föremål på bastuaggregatet.
 - Kontrollera att det INTE finns några brännbara föremål på bastuaggregatet innan bastuaggregat sätts igång.
-

7.1. Användning

Bastuaggregatet styrs via en styrenhet. Användningen av styrenheten beskrivs i tillhörande bruksanvisning. Observera att bastuaggregatet för fondvägg endast är avsett för styrenheter utan fjärrstartfunktion.

7.2. Hälla vatten på stenarna

Man kan avsluta bastubadet med att hälla vatten på stenarna. Häll vatten i hällskålen med en bastuskopa. Vattnet förångas och luften blir fuktigare i bastun.



Påhållningen genomförs med fördröjning genom hällslangen. Efter påfyllning med hällslangen ska man vänta tills vattnet helt och hållet har runnit igenom.

Observera följande:

- Använd endast kranvatten. Saltvatten, starkt kalkhaltigt eller klorerat vatten kan leda till skador på bastuaggregatet.
- Använd endast doftämnen eller eteriska oljor som uttryckligen är avsedda för användning i bastu. Observera anvisningarna och uppgifterna på resp. förpackning.
- Häll inte vattnet för snabbt i hällskålen. Om det hälls för snabbt över stenarna förångas det inte riktigt.

8. Underhåll

8.1. Längre användningsuppehåll

Fuktiga omgivningar och långa användningsuppehåll leder till att fukt adsorberas i värmestavarna. Detta är ett fysikaliskt förlopp och inget tillverkningsfel. Fukten i värmestavarna kan leda till att FI-skyddsbrytaren löser ut. Låt i sådana fall en elektriker åtgärda felet (se kapitel **10. Felavhjälpning utförd av installatören**).



Värm upp bastuaggregatet i ca 15 minuter var 5:e till var 6:e vecka. På så sätt förhindrar man att fukt adsorberas i värmestavarna under längre användningsuppehåll.

8.2. Rengöring av bastuaggregatet

Se till att det inte samlas ludd eller damm i ventilationsöppningarna. På så sätt förhindrar man att luftcirkulationen försämras i bastuaggregatet. Försämrad luftcirkulation kan leda till överhettning.

8.3. Byta bastustenar

Bastustenarna påverkas både av vätskan och av de stora temperaturskillnaderna som uppstår under användningen. De kan bli anfräta och spröda.

Kontrollera bastustenarna regelbundet och byt ut dem minst en gång om året.



VARNING!

Brandrisk på grund av överhettning

Om bastuaggregatet används utan bastustenar blir bastuns väggar mycket varma. Detta kan orsaka eldsvåda.

- Använd INTE bastuaggregatet utan bastustenar.

1. Ta bort de gamla bastustenarna.
2. Avlägsna kalkavlagringar, damm och andra föroreningar från stenkorgen.
3. Rengör först bastustenarna noga med vatten och en borste. Använd inga rengöringsmedel.
4. Kontrollera om det finns främmande partiklar på stenarna och ta bort alla förpackningsrester innan de läggs in i bastuaggregatet.
5. Lägg bastustenarna i stenkorgen. Lägg i bastustenarna löst på varandra så att luften kan cirkulera mellan dem.
6. Se till att stenarna inte sticker ut ovanför stenkorgens kant.

9. Avfallshantering



- Ta hand om förpackningsmaterialet enligt gällande bestämmelser.
- Enheterna innehåller både återanvändbart material och skadliga ämnen. Släng inte en uttjänt produkt i hushållssoporna, utan lämna den till återvinning enligt gällande bestämmelser.

10. Felavhjälpning utförd av installatören

Uppvärmning och torkning av värmestavarna

Fuktiga omgivningar och långa användningsuppehåll kan leda till att fukt adsorberas i värmestavarna. Detta är ett fysikaliskt förlopp och inget tillverkningsfel. Fukten i värmestavarna kan i vissa fall leda till att FI-skyddsbrytaren löser ut.

I sådana fall ska bastuaggregatet värmas upp för torkning under uppsikt av en elektriker. FI-skyddsbrytarens skyddsfunktion ska då tas ur funktion. Uppvärmningen/torkningen tar ca 10 minuter. Därefter ska FI-skyddsbrytarens skyddsfunktion återställas igen.

Kontakta leverantören/återförsäljaren om problemet kvarstår efter detta.

11. Reservdelar

<i>Artikelnummer</i>	<i>Värmestavar</i>
HWO-090NS	6 x SCA150 (1-028-518)
HWO-105NS	3 x SCA150 (1-028-518)/3 x SCA200 (1-028-503)

<i>Artikelnummer</i>	<i>Beteckning</i>
1-028-845	Aggregatskyddsgaller för 8,0–10,5 kW
1-028-297	Hällskål

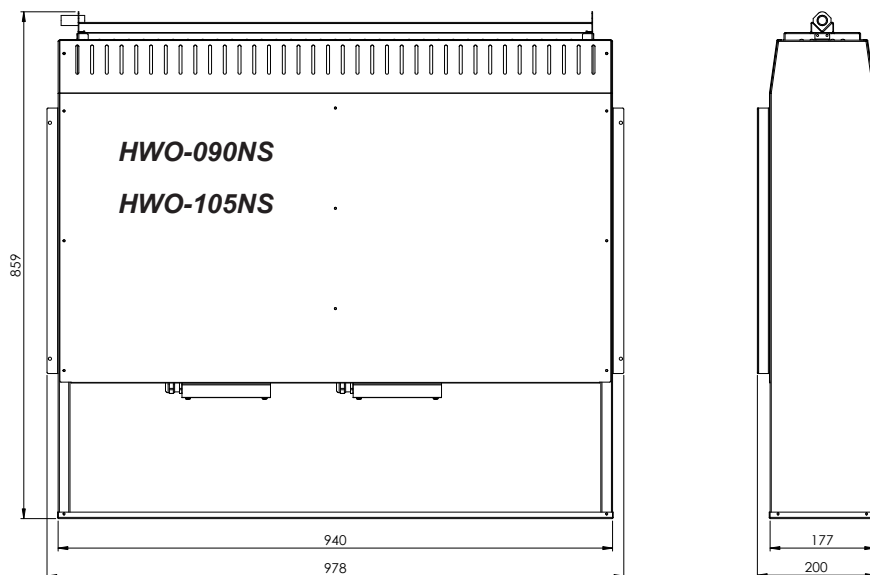
12. Tekniska data

Artikel-nummer	Effekt [kW]	Basturumets volym [m ³]	Ventilationsöppningens min. storlek [mm]	Vikt utan stenar [kg]
HWO-090NS	9,0 kW	9–14 m ³	350 x 50	32
HWO-105NS	10,5 kW	10–15 m ³	350 x 60	32

Artikel-nummer	Stenmängd [kg]	Säkring [A]	Matningsspänning
HWO-090NS	ca 15	3 x 16/1 x 50	400 V AC 3N~ 50/60 Hz 230 V AC 1N~ 50/60 Hz
HWO-105NS	ca 15	3 x 16/1 x 50	400 V AC 3N~ 50/60 Hz 230 V AC 1N~ 50/60 Hz

13. Mått

Mått i mm.



Saunová kamna

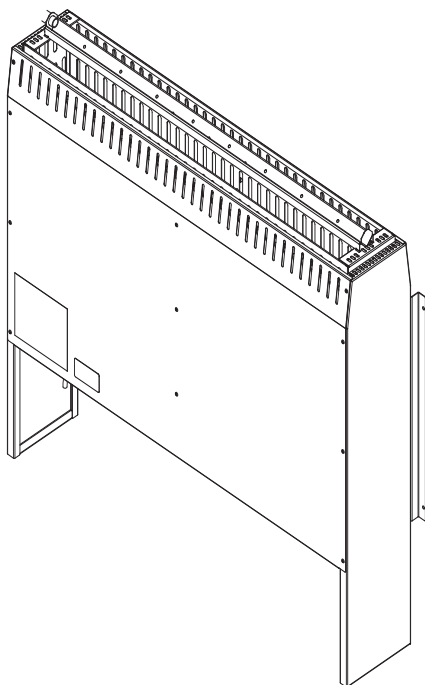
Kamna na zadní stěnu

HWO-090NS-P / 1-027-800: Kamna na zadní stěnu 9,0 kW

HWO-105NS-P / 1-027-801: Kamna na zadní stěnu 10,5 kW

NÁVOD K MONTÁŽI A POUŽITÍ

česky



CS

Obsah

1. O tomto návodu	4
2. Důležité pokyny pro vaši bezpečnost	5
2.1. Použití v souladu s určením	5
2.2. Bezpečnostní informace pro montéra	5
2.3. Bezpečnostní informace pro uživatele	7
3. Popis výrobku	8
3.1. Rozsah dodávky	8
3.2. Možné doplňky	8
3.3. Funkce výrobku	8
4. Montáž a připojení	9
4.1. Místo instalace	9
4.2. Bezpečnostní vzdálenosti	10
4.3. Poloha čidla	11
4.4. Montáž adaptéru čidla	12
4.5. Upevnění kamen na stěnu sauny	13
4.6. Montáž polévací hadice	14
5. Elektrické připojení	15
5.1. Schéma zapojení pro 400 V 3 N~	16
5.2. Schéma zapojení pro 230V 1 N~	17
5.3. Schémata zapojení	18

6. Uvedení do provozu	19
6.1. Plnění koše na kameny	19
6.2. Umístění informačního štítku pro nádobu na kameny	20
6.3. Umístění informačního štítku „Nezakrývat“	20
6.4. První nahřívání	21
7. Obsluha	22
7.1. Obsluha saunových kamen	22
7.2. Polévání	22
8. Údržba	23
8.1. Delší přestávky v provozu	23
8.2. Čistění saunových kamen	23
8.3. Výměna saunových kamenů	23
9. Likvidace	24
10. Řešení problémů montérem	25
11. Náhradní díly	25
12. Technické údaje	26
13. Rozměry	26

1. O tomto návodu

Tento návod k montáži a použití si důkladně přečtěte a uložte ho v blízkosti sauny. Tak si můžete vždy dodatečně přečíst informace o bezpečnosti a obsluze.



Tento návod k montáži a použití naleznete také v sekci ke stažení na našem webu na adrese www.sentiotec.com/downloads.

Symboly ve výstražných pokynech

V tomto návodu k montáži a použití je text o činnostech, z nichž vyplývá určité riziko, uvozen výstražným pokynem. Tyto výstražné pokyny bezpodmínečně dodržujte. Zabráníte tak věcným škodám a poraněním, která mohou být v nejhorším případě dokonce smrtelná.

Ve výstražných pokynech jsou použita signální slova, která mají následující význam:



NEBEZPEČÍ!

Pokud tento výstražný pokyn nebude dodržen, bude to mít za následek smrt nebo vážná zranění.



VÝSTRAHA!

Pokud tento výstražný pokyn nebude dodržen, může to mít za následek smrt nebo vážná zranění.



OPATRŇĚ!

Pokud tento výstražný pokyn nebude dodržen, může to mít za následek lehká zranění.

POZOR!

Tento signální symbol upozorňuje na věcné škody.

Jiné symboly



Tento symbol označuje tipy a užitečné pokyny.



Nezakrývat!



Pročtěte si návod k obsluze

2. Důležité pokyny pro vaši bezpečnost

Tato kamna na zadní stěnu jsou zkonstruována podle uznávaných bezpečnostně technických pravidel. Při jeho používání však mohou přesto vznikat určitá rizika. Dodržujte proto následující bezpečnostní pokyny a zvláštní výstražné pokyny uvedené v jednotlivých kapitolách.

2.1. Použití v souladu s určením

Tato kamna na zadní stěnu smíte používat pouze k vyhřívání saunových kabin v kombinaci s řídicí jednotkou sauny bez funkce dálkového zapínání.

Jakékoli jiné použití nad tento rámec se považuje za použití v rozporu s určením. Použití v rozporu s určením může vést k poškození výrobku, vážným zraněním nebo smrti.

2.2. Bezpečnostní informace pro montéra

- Montáž a připojení saunových kamen se smí provádět pouze ve stavu odpojení od napětí.
- Montáž smí provádět pouze kvalifikovaný elektrikář nebo jiná, srovnatelným způsobem kvalifikovaná osoba.
- V místě instalace musí být instalován odpojovač s odpojením všech pólů s úplným vypnutím v souladu s přepětovou kategorií III.
- K připojení saunových kamen používejte výlučně silikonová vedení odolná vůči teplotě do 150 °C.

- V kabině instalujte pouze jedna saunová kamna. Kamna na zadní stěnu nesmíte v saunové kabině používat společně s jinými saunovými kamny.
- Stropy a stěny saunové kabiny smí být vyrobeny z neopracovaných nebo tepelně opracovaných druhů dřeva s nízkým obsahem pryskyřice, např. severský smrk, jedlovec, borovice nebo jedle nebo z vrstvených dřevěných materiálů. Při použití vrstvených dřevěných materiálů je nutné dbát na to, aby jejich lepidla neobsahovala formaldehyd. Pokud budou v saunové kabině použity jiné materiály než dřevo, musejí být odolné vůči teplu a korozi a nesmí mít žádné negativní účinky na zdraví osob v sauně.
- Výška saunové kabiny musí činit minimálně 1,9 m.
- Dodržujte požadavky na objem saunové kabiny a její větrání uvedené v kapitole **12. Technické údaje**.
- Při instalaci saunových kamen dodržujte minimální bezpečnostní vzdálenosti (viz kapitola **4.2. Bezpečnostní vzdálenosti**).
- Dodržujte také místní předpisy v místě instalace.
- V případě problémů, které nejsou dostatečně podrobně řešeny v návodu k montáži, se v zájmu vlastní bezpečnosti obraťte na svého dodavatele.

2.3. Bezpečnostní informace pro uživatele

- Zařízení nesmí používat děti do 8 let věku.
- Zařízení smí používat děti ve věku nad 8 let, osoby s omezenými fyzickými, smyslovými nebo duševními schopnostmi a osoby s nedostatečnými zkušenostmi a znalosti za následujících podmínek:
 - pokud jsou pod dozorem.
 - pokud jim bylo správné používání předvedeno a rozumějí rizikům, která mohou vzniknout.
- Děti si se zařízením nesmí hrát.
- Děti mladší 14 let smí zařízení čistit, pouze pokud jsou pod dozorem.
- Saunování není ze zdravotních důvodů vhodné pro osoby pod vlivem alkoholu, léků nebo drog.
- Saunová kamna nikdy neuvádějte do provozu bez saunových kamenů, mohlo by to způsobit požár.
- Před zapnutím řídicí jednotky sauny se ujistěte, že na saunových kamnech neleží žádné hořlavé předměty.
- **PŘED** prvním saunováním saunová kamna na půl hodiny roze-hřejte. Během této doby se **NEZDRŽUJTE** v saunové kabině. Následně saunovou kabinu dobře vyvětrejte (viz **6.4. První nahřívání** na straně **21**).
- Saunových kamen se během provozu nedotýkejte. Povrch saunových kamen a saunové kameny se zahřívají na vysoké teploty.
- V případě problémů, které nejsou dostatečně podrobně řešeny v návodu k použití, se v zájmu vlastní bezpečnosti obraťte na svého dodavatele.

3. Popis výrobku

3.1. Rozsah dodávky

- Saunová kamna
- Montážní materiál
- Ochranná mřížka
- Adaptér čidla (pouze HWO-080 až HWO-105)
- Polévací hadice s polévací miskou
- Nálepka „Výstražné pokyny k nádobě na kameny“ a „Nezakrývat“
- Návod k montáži a použití

3.2. Možné doplňky

<i>Příslušenství</i>	<i>Číslo položky</i>
Přídavný výkonový modul	O-S2-18 / O-S2-18S / O-S2-30

3.3. Funkce výrobku

Tato kamna na zadní stěnu jsou finská saunová kamna a umožňují vytváření klimatu typického ve finské sauně při teplotě 80 až 100 °C a vlhkosti vzduchu asi 10 %.

Polévací hadicí lze saunové kameny polévat vodou. Tím se voda odpaří a zvýší se vlhkost vzduchu v saunové kabině.

4. Montáž a připojení

Při instalaci a připojení saunových kamen zohledněte následující body:



VÝSTRAHA!

Nebezpečí úrazu elektrickým proudem

- Montáž a připojení saunových kamen provádějte pouze ve stavu bez napětí.
-

- Elektrické připojení smí provádět pouze kvalifikovaný elektrikář nebo srovnatelným způsobem kvalifikovaná osoba.
- V místě instalace musí být instalován odpojovač s odpojením všech pólů s úplným vypnutím v souladu s přepětovou kategorií III.
- Saunová kamna neumísťujte na podlahu ze snadno hořlavého materiálu (dřevo nebo plast). K vhodným podlahovým krytinám patří např. keramické dlaždice.

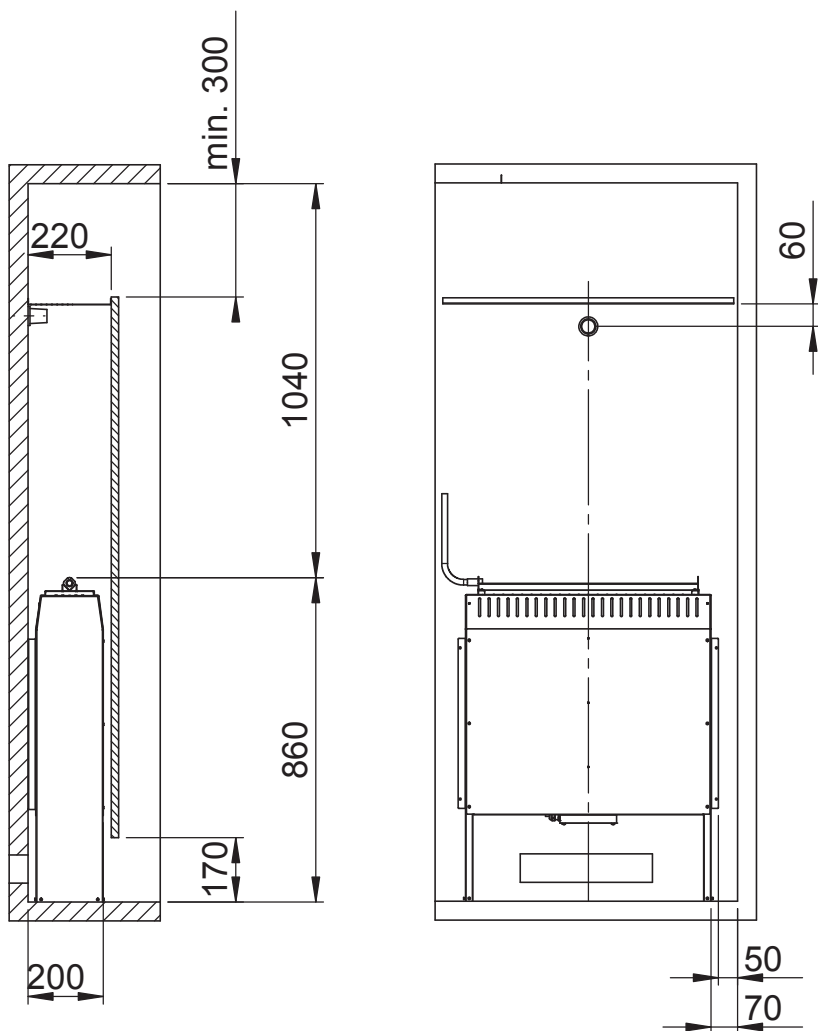
4.1. Místo instalace

Kamna umístěte doprostřed před vstupní otvor vzduchu ve stěně kabiny. Přitom dodržujte bezpečnostní vzdálenosti od stěny kabiny uvedené na **Obr. 1**.

4.2. Bezpečnostní vzdálenosti

Dodržujte minimální bezpečnostní vzdálenosti uvedené na **Obr. 1**.

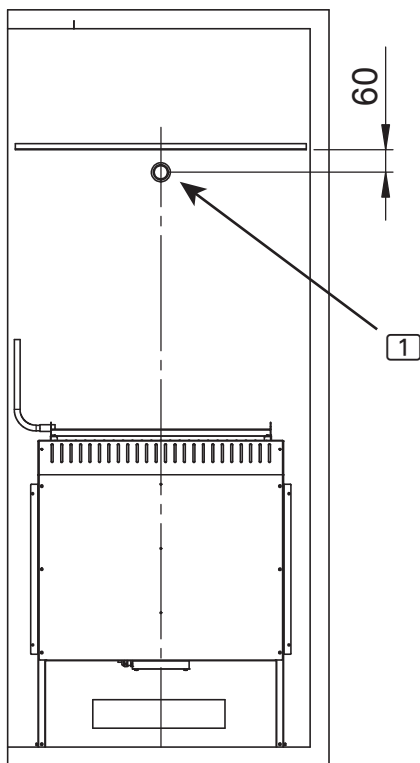
Obr. 1 Bezpečnostní vzdálenosti kamen na zadní stěnu
(HWO-090NS-P / HWO-105NS-P)
Rozměry v mm



4.3. Poloha čidla

Na rozdíl od montáže čidla vaší řídicí jednotky sauny je čidlo kamen namontováno podle **Obr. 2**. Namontujte čidlo kamen **1** uprostřed nad kamna, 60 mm (střed čidla) pod ochrannou mřížku. Dbejte také na rozměry uvedené v „**Bezpečnostní vzdálenosti**“ na straně **10** s ohledem na ochrannou mřížku.

Obr. 2



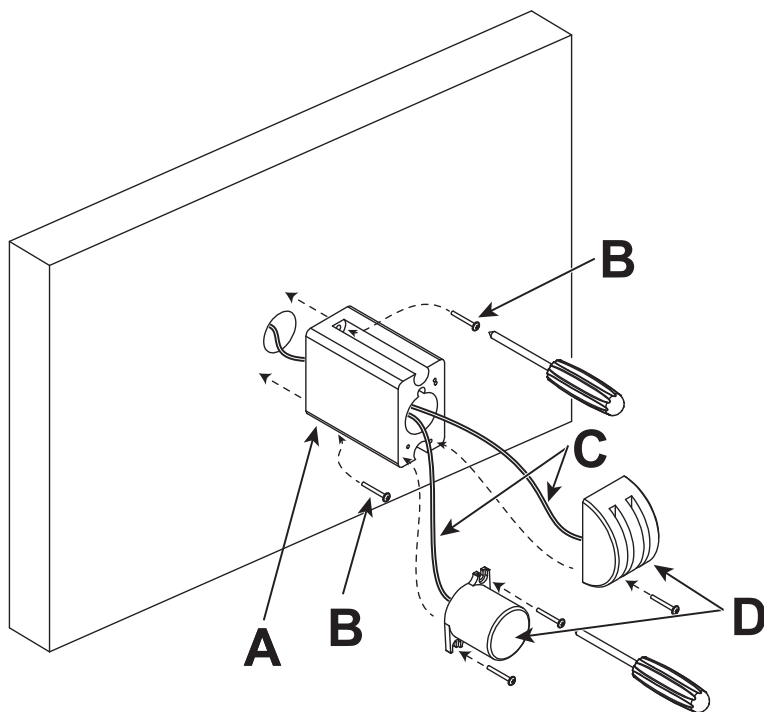
4.4. Montáž adaptéru čidla

Adaptér čidla **A** (součást dodávky kamen) upevněte v poloze uvedené pod „**Poloha čidla**“ na straně **11** pomocí vrtů **B** na stěně sauny.

Kabel čidla **C** vedte adaptérem čidla **A** a stěnou sauny.

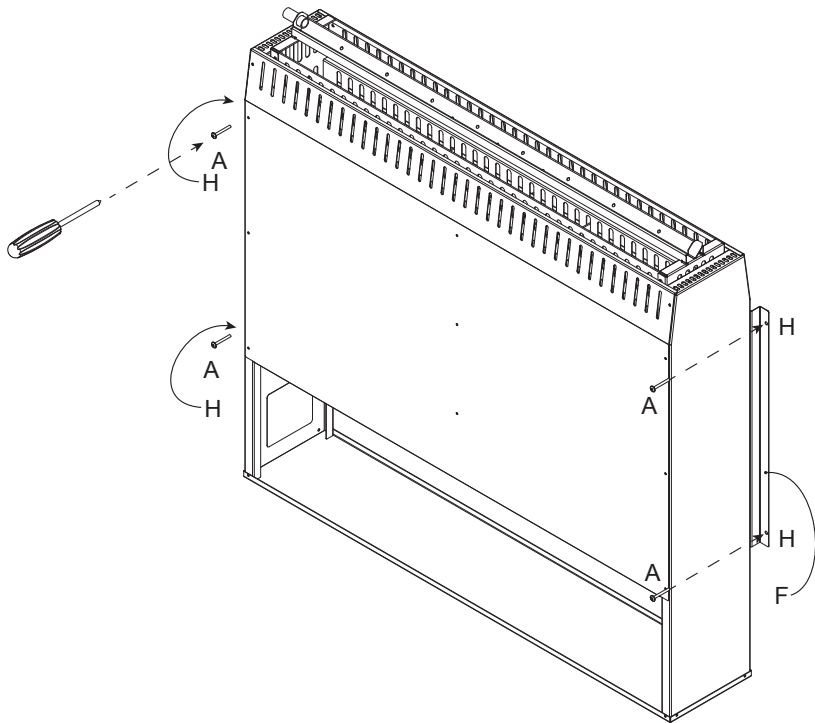
Čidlo **D** nyní namontujte na čelní straně adaptéru čidla **A**.

Dbejte na to, aby šrouby zapadly do daných důlků.



4.5. Upevnění kamen na stěnu sauny

K upevnění kamen a jejich zajištění proti nechtěnému pohybu nebo pádu upevněte kamna dodanými vruty **A** přes upevňovací otvory **H** do oboustranně přítomných montážních přírub **F**.

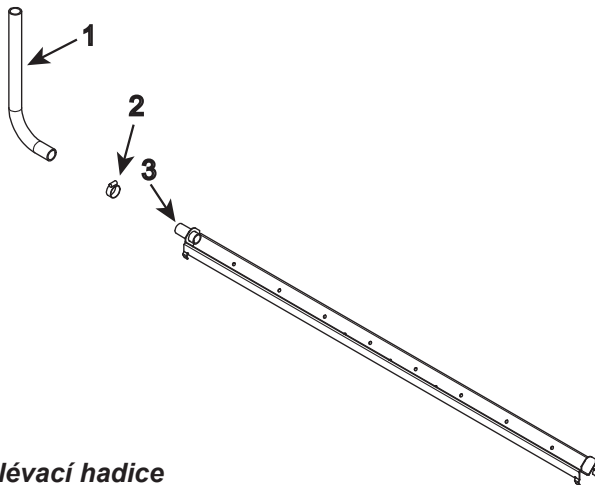


4.6. Montáž polévací hadice

Hadicovou sponu [2] nasuňte v otevřeném stavu na polévací hadici [1].

Hadici nasuňte přes přípojovací kus [3].

Hadicovou sponu utáhněte šroubovákem.



Uložení polévací hadice

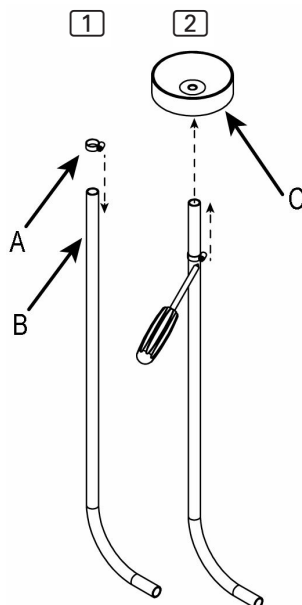
Při uložení hadice dbejte na průběžný spád. Voda, která se hromadí v prohlubních, může po delší provozní době narušit kvalitu vzduchu.

[1]

Zcela otevřete hadicovou sponu **A** a umístěte ji na polévací hadici **B**.

[2]

Nyní ved'te polévací hadici přes přípojovací kus polévací misky **C**. Hadici uchyťte hadicovou sponou **A**.



5. Elektrické připojení

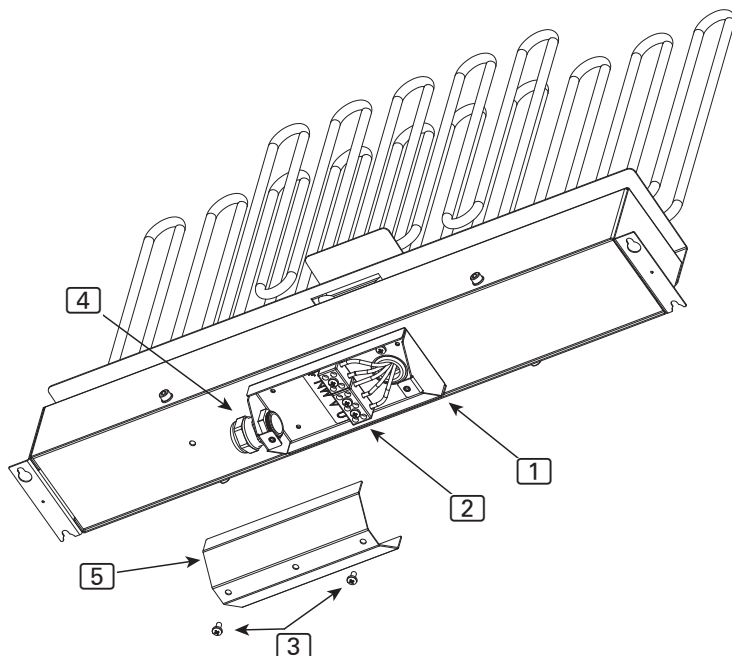


POZOR!

Nebezpečí úrazu elektrickým proudem

- Montáž a připojení saunových kamen provádějte pouze ve stavu bez napětí.

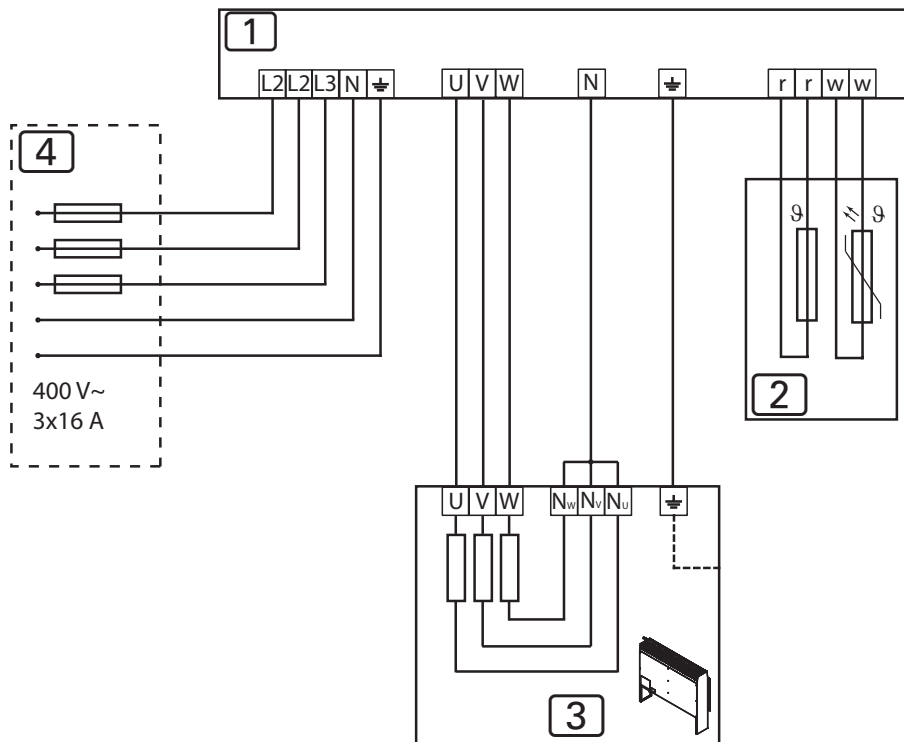
1. Povolte šrouby [3] krytu [5].
2. Stáhněte kryt [5] z připojovacího boxu [1].
3. Protáhněte kabel průchodkou [4].
4. Připojte vodiče U – V – W – N – PE k příslušným svorkám [2].



5. Utáhněte průchodku [4].
6. Nasadte kryt [5] opět na připojovací box [1] a upevněte šrouby [3].

5.1. Schéma zapojení pro 400 V 3 N~

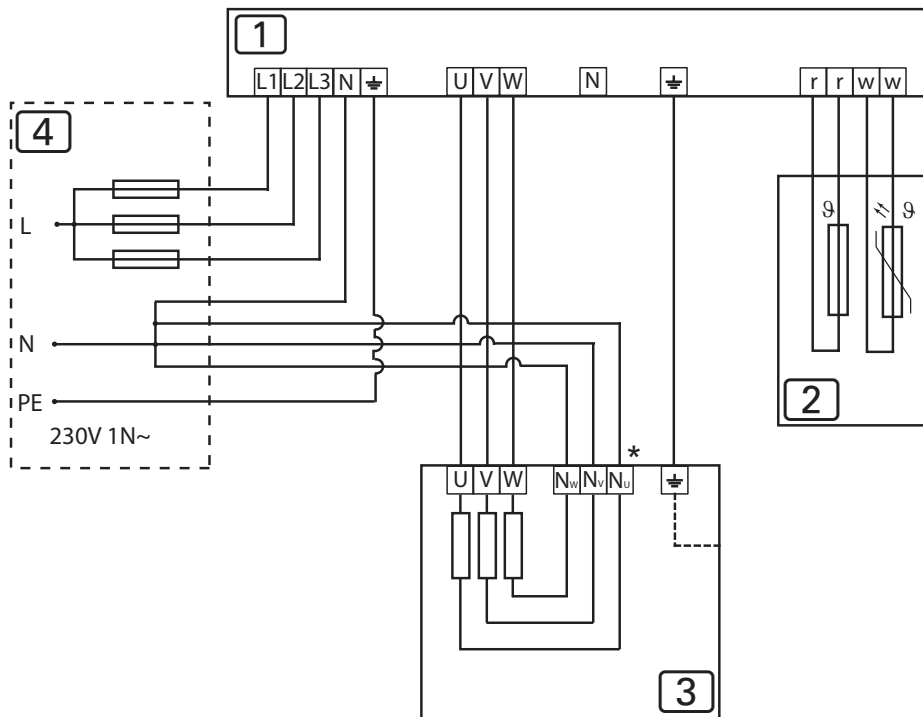
Obr. 3 Schéma připojení
(HWO-090NS-P / HWO-105NS-P)



- 1 Řídicí jednotka sauny
- 2 Čidlo teploty s pojistkou proti přehřátí
- 3 Kamna na zadní stěnu
- 4 Napájecí zdroj

5.2. Schéma zapojení pro 230V 1 N~

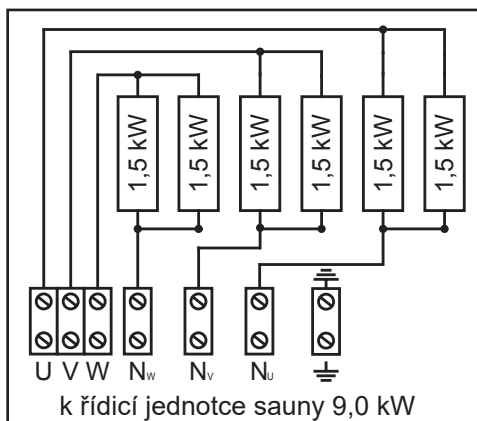
Obr. 4 Schéma připojení
(HWO-090NS-P / HWO-105NS-P)



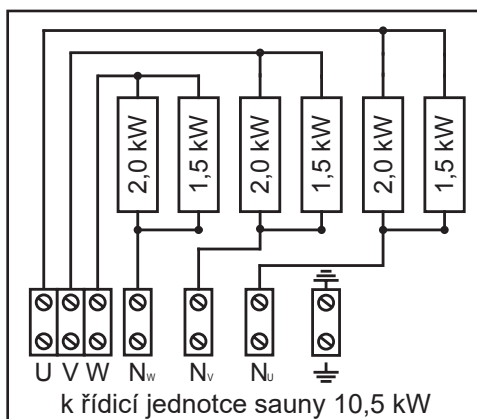
- 1 Řídicí jednotka sauny
- 2 Čidlo teploty s pojistkou proti přehřátí
- 3 Kamna na zadní stěnu
- 4 Napájecí zdroj
- * Odstraňte měděný můstek

5.3. Schémata zapojení

HWO-090NS



HWO-105NS



6. Uvedení do provozu

6.1. Plnění koše na kameny



VÝSTRAHA!

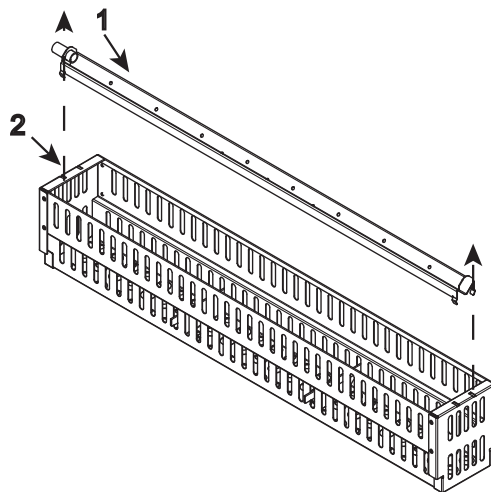
Riziko požáru přehřátím

Pokud se saunová kamna používají bez saunových kamenů, stěny kabiny se silně zahřívají. To může být příčinou požáru.

- Saunová kamna NIKDY neuvádějte do provozu bez saunových kamenů.

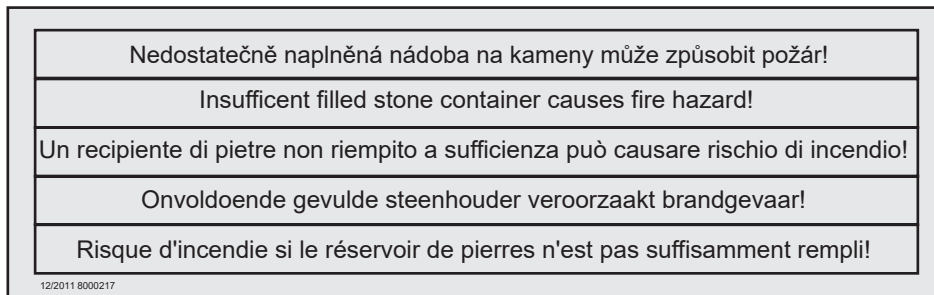
Množství kamenů vhodné pro výkon vašich kamen naleznete v kapitole **12. Technické údaje** (viz strana **26**).

1. Saunové kameny před použitím důkladně očistěte kartáčem a omyjte vodou. Nepoužívejte žádné čisticí přísady.
2. Kameny před vložením do saunových kamen zkontrolujte, zda neobsahují cizí tělesa, a odstraňte zbytky obalů.
3. Vytáhněte pomůcku k polévání **1** z nádoby na kameny **2** směrem nahoru a narovnejte odpovídající množství kamenů rovnoměrně v koši na kameny **2**.
4. Saunové kameny naskládejte volně, aby meziprostorem mohl proudit vzduch. Dbejte na to, aby saunové kameny nepřesahovaly přes okraj nádoby na kameny.
5. Do nádoby na kameny opět vložte pomůcku k polévání **1**. Ujistěte se, že je správně zajištěná.



6.2. Umístění informačního štítku pro nádobu na kameny

Informační štítek, který je součástí dodávky kamen, musí být zřetelně upevněn uvnitř kabiny.



6.3. Umístění informačního štítku „Nezakrývat“

Informační štítek, který je součástí dodávky kamen, musí být zřetelně upevněn uvnitř kabiny a v blízkosti kamen.



6.4. První nahřívání



OPATRNĚ!

Při prvním rozezhřívání vzniká kouř a je cítit zápach

Na nových topných tyčích jsou provozní látky z výrobního procesu. Ty se při prvním rozezhřívání saunových kamen rozkládají. Přitom vzniká kouř a nepříjemný zápach. Vdechování těchto výparů nebo kouře škodí vašemu zdraví.

Při **prvním zprovoznění** a při **výměně topných tyčí saunových kamen** proveďte následující kroky. Zabráníte tak ohrožení zdraví výpary a kouřem, které vznikají při prvním rozezhřívání.

1. Na řídicí jednotce sauny nastavte co nejvyšší teplotu.
2. Saunová kamna nahřívajte půl hodiny.
Během této doby se NEZDRŽUJTE v saunové kabině.
3. Po prvním rozezhřátí dobře vyvětrejte saunovou kabinu.
4. Pokud při dalším rozezhřátí nedochází ke vzniku kouře a pachu, můžete se začít saunovat.

Pokud se znovu uvolňuje kouř nebo zápach, okamžitě opusťte saunovou kabinu a opakujte rozezhřátí kamen se zapnutým ventilátorem.

7. Obsluha



VÝSTRAHA!

Riziko požáru

Hořlavé předměty položené na saunových kamnech nebo nad kamny ve vzduchových šachtách se mohou vznítit a způsobit požár.

- Na saunová kamna NIKDY nepokládejte hořlavé předměty.
 - Před uvedením saunových kamen do provozu se ujistěte, že na saunových kamnech neleží ŽÁDNÉ hořlavé předměty.
-

7.1. Obsluha saunových kamen

Obsluha saunových kamen probíhá přes řídicí jednotku sauny. Informace k obsluze řídicí jednotky sauny naleznete v návodu k obsluze používaného zařízení. Pamatujte, že kamna na zadní stěnu jsou vhodná pouze pro řídicí jednotky sauny bez funkce dálkového zapínání.

7.2. Polévání

Na konci saunování lze provést polévání. Saunové kameny polijte pomocí saunové naběračky v polévací misce. Tím se voda odpaří a zvýší se vlhkost vzduchu v saunové kabině.



Přes polévací hadici se polévání prodlužuje. Počkejte, dokud voda po úplném naplnění polévací misky zcela neproteče.

Při polévání dodržujte následující body:

- K polévání používejte pouze vodu z kohoutku. Mořská voda, voda s vysokým obsahem vápníku a chlorovaná voda mohou saunová kamna poškodit.
- Používejte pouze vonné látky a éterické oleje, které jsou výslovně vhodné k použití jako polévací prostředek v saunách. Dodržujte údaje výrobce uvedené na obalu polévacího prostředku.
- Vodu nenalévejte do polévací misky příliš rychle. Pouze tak se voda k polévání zcela odpaří.

8. Údržba

8.1. Delší přestávky v provozu

Ve vlhkém prostředí nebo po dlouhých přestávkách v provozu se v topných tyčích hromadí vlhkost. Jedná se o fyzikální proces a není to žádná chyba výrobce. Vlhkost v topných tyčích může vést ke spuštění proudového chrániče. V tomto případě povolte k odstranění poruchy kvalifikovaného elektrikáře (viz kapitola **10. Řešení problémů montérem**).



Saunová kamna nahřívajte jednou za 5 až 6 týdnů asi na 15 minut. Tak zabráníte, aby se při delších přestávkách v provozu hromadila voda v topných tyčích.

8.2. Čistění saunových kamen

Dbejte na to, aby odvětrávací otvory byly zbaveny tkaniny a prachu. Tak zabráníte omezení cirkulace vzduchu v saunových kamnech a přehřátí zařízení.

8.3. Výměna saunových kamenů

Saunové kameny jsou namáhány polévacími prostředky a velkými rozdíly teplot, které se vyskytují při používání. Saunové kameny mohou být narušovány a mohou praskat.

Saunové kameny v pravidelných intervalech kontrolujte a alespoň jednou za rok je vyměňte.



VÝSTRAHA!

Riziko požáru přehřátím

Pokud se saunová kamna používají bez saunových kamenů, stěny kabiny se silně zahřívají. To může být příčinou požáru.

- Saunová kamna **NIKDY** neuvádějte do provozu bez saunových kamenů.

1. Staré saunové kameny odstraňte.
2. Z nádoby na kameny odstraňte zbytky vodního kamene, prachu a jiných nečistot.
3. Saunové kameny před použitím důkladně očistěte kartáčem a omyjte vodou. Nepoužívejte žádné čisticí přísady.
4. Kameny před vložením do saunových kamen zkontrolujte, zda neobsahují cizí tělesa, a odstraňte zbytky obalů.
5. Vložte saunové kameny do nádoby na kameny. Saunové kameny naskládejte volně, aby mezíprostorem mohl proudit vzduch.
6. Dbejte na to, aby saunové kameny nepřesahovaly přes okraj nádoby na kameny.

9. Likvidace



- Obalové materiály zlikvidujte podle směrnic platných pro likvidaci.
- Stará zařízení obsahují recyklovatelné materiály, ale i škodlivé látky. Stará zařízení proto v žádném případě neodkládejte do odpadu, ale zlikvidujte je podle místních platných předpisů.

10. Řešení problémů montérem

Vyhřívání topných tyčí

Ve vlhkém prostředí nebo po dlouhých přestávkách v provozu se v topných tyčích může hromadit vlhkost. Jedná se o fyzikální proces a není to žádná chyba výrobce. Vlhkost v topných tyčích může v určitých případech vést ke spuštění proudového chrániče.

V tomto případě je nutné vyhřívát saunová kamna pod dozorem kvalifikovaného elektrikáře. Přitom musí být deaktivována funkce proudového chrániče. Postup vyhřátí zabere asi 10 minut. Poté je nutné bezpečnostní funkci proudového chrániče obnovit.

Pokud bude problém trvat i nadále, obraťte se na svého dodavatele.

11. Náhradní díly

<i>Číslo položky</i>	<i>Topné tyče</i>
HWO-090NS	6 x SCA150 (1-028-518)
HWO-105NS	3 x SCA150 (1-028-518) / 3 x SCA200 (1-028-503)

<i>Číslo položky</i>	<i>Označení</i>
1-028-845	Ochranná mřížka kamen pro 8,0–10,5 kW
1-028-297	Polévací miska

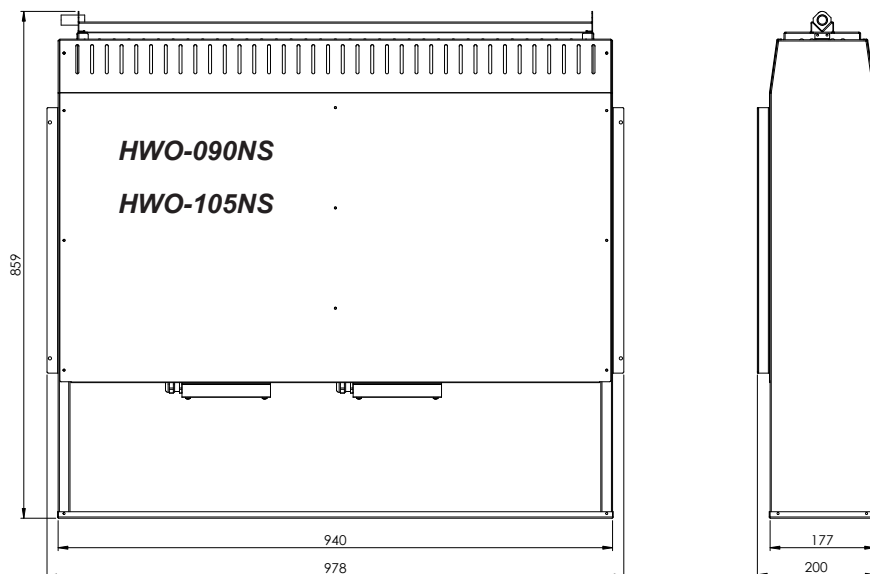
12. Technické údaje

Číslo položky	Výkon [kW]	Objem kabiny [m ³]	Minimální velikost odvětrávacího otvoru [mm]	Hmotnost bez kamenů [kg]
HWO-090NS	9,0 kW	9–14 m ³	350 x 50	32
HWO-105NS	10,5 kW	10–15 m ³	350 x 60	32

Číslo položky	Množství kamenů [kg]	Jištění [A]	Napájení
HWO-090NS	asi 15	3 x 16 / 1 x 50	400 V AC 3N~ 50/60 Hz 230 V AC 1N~ 50/60 Hz
HWO-105NS	asi 15	3 x 16 / 1 x 50	400 V AC 3N~ 50/60 Hz 230 V AC 1N~ 50/60 Hz

13. Rozměry

Údaje v mm.



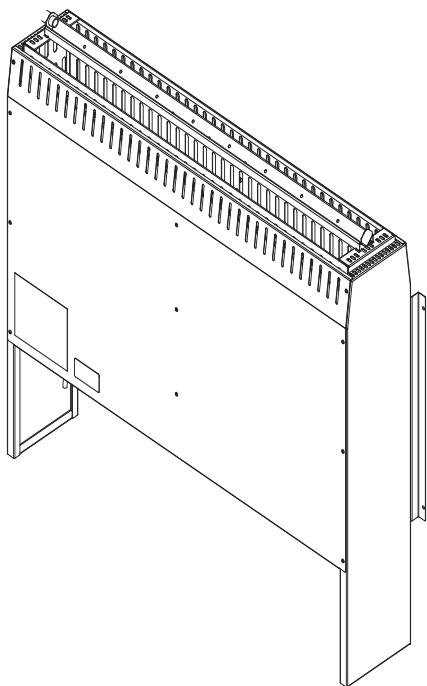
Peč za savno

Peč, pritrjena na zadnjo steno

HWO-090NS-P / 1-027-800: Peč, pritrjena na zadnjo steno 9,0 kW

HWO-105NS-P / 1-027-801: Peč, pritrjena na zadnjo steno 10,5 kW

NAVODILA ZA MONTAŽO IN UPORABO slovenščina



SL

Kazalo vsebine

1. K tem navodilom	4
2. Pomembni napotki za vašo varnost	5
2.1. Uporaba skladna z določili	5
2.2. Varnostni napotki za monterja	5
2.3. Varnostni napotki za uporabnika	7
3. Opis proizvoda	8
3.1. Dobavni obseg	8
3.2. Izbirni dodatki	8
3.3. Funkcije proizvoda	8
4. Montaža in priključitev	9
4.1. Postavitveno mesto	9
4.2. Varnostni razmiki	10
4.3. Položaj tipala	11
4.4. Montaža adapterja tipala	12
4.5. Pritrditev peči na steno savne	13
4.6. Montaža cevi za poparek	14
5. Električna priključitev	15
5.1. Priključitveni načrt 400V 3N~	16
5.2. Priključitveni načrt 230V 1N~	17
5.3. Sheme priključitve in ožičenja	18

6. Zagon	19
6.1. Polnjenje posode za kamenje	19
6.2. Namestitvev opozorilne tablice za posodo za kamenje	20
6.3. Namestitve opozorilne tablice „Ne prikrivajte”	20
6.4. Prvo zagrevanje	21
7. Upravljanje	22
7.1. Upravljanje peči za savno	22
7.2. Polivanje	22
8. Vzdrževanje	23
8.1. Daljši premori med obratovanji	23
8.2. Čiščenje peči za savno	23
8.3. Menjava kamenja za savno	23
9. Odstranjevanje	24
10. Reševanje problemov s strani monterja	25
11. Nadomestni deli	25
12. Tehnični podatki	26
13. Dimenzije	26

1. K tem navodilom

Navodila za montažo in uporabo skrbno preberite in jih shranite v bližini savne. Tako lahko v vsakem trenutku ponovno preberete informacije o vaši varnosti in o upravljanju.



Ta navodila za montažo in uporabo si lahko naložite z naše spletne strani www.sentiotec.com/downloads.

Simboli in opozorila

V teh navodilih za montažo in uporabo stoji pred dejanji, ki so nevarna, opozorilo. Brezpogojno sledite tem opozorilom. Tako preprečite materialno škodo in poškodbe, ki so lahko v najhujšem primeru celo smrtne.

V opozorilih so uporabljene signalne besede, ki imajo naslednji pomen:



NEVARNOST!

Če tega opozorila ne upoštevate, so posledica smrt ali težke poškodbe.



OPOZORILO!

Če tega opozorila ne upoštevate, so lahko posledica smrt ali težke poškodbe.



PREVIDNOST!

Če tega opozorila ne upoštevate, so lahko posledica lahke poškodbe.

POZOR!

Ta signalna beseda vas svari pred materialno škodo.

Drugi simboli



Ta simbol označuje nasvete in uporabna navodila.



Ne prekrivajte!



Preberite navodila za upravljanje

2. Pomembni napotki za vašo varnost

Ta peč za savno, pritrjena na zadnjo steno, je zgrajena po priznanih varnostno tehničnih smernicah. Kljub temu pa lahko pri uporabi nastanejo nevarnosti. Zato sledite naslednjim varnostnim napotkom in posebnim opozorilom v posameznih poglavjih.

2.1. Uporaba skladna z določili

Ta peč za savno, pritrjena na zadnjo steno, se sme uporabljati le za ogrevanje kabin savn v kombinaciji s krmiljenjem savne brez funkcije daljinskega zagona.

Vsaka drugačna uporaba velja kot uporaba, ki ni skladna z določili. Z določili neskladna uporaba lahko povzroči poškodovanje proizvođa, težke poškodbe ali smrt.

2.2. Varnostni napotki za monterja

- Montažo in priključitvena dela na peči za savno se sme opraviti le v breznapetostnem stanju.
- Montažo sme opraviti le elektro strokovnjak ali kvalificirana oseba podobne stroke.
- Na mestu samem je potrebno predvideti ločilno napravo za vse pole s popolnim izklopom skladno s prenapetostno kategorijo III.
- Za priključitev peči za savno uporabite izključno silikonske vodnike, ki so obstojni do temperature 150 °C.

- V kabino inštalirajte le eno peč. Peč za savno, pritrjena na zadnjo steno, se ne sme uporabiti v kabini skupaj z drugimi pečmi za savne.
- Stropi in stene kabine se izdelajo iz neobdelanega lesa, ki vsebuje malo smole ali iz termično obdelanega lesa, npr. nordijske smreke, čuge, bora ali jelke ali iz materialov iz lepljenih lesnih slojev. Pri uporabi materialov iz lepljenih lesnih slojev se mora paziti na to, da lepila ne oddajajo formaldehida. Če se v kabini savne uporabijo drugi materiali kot les, morajo biti ti odporni proti vročini in koroziji in ne smejo negativno učinkovati na zdravje ljudi v savni.
- Višina kabine savne mora biti najmanj 1,9 m.
- Upoštevajte zahteve glede volumna in zračenja kabine savne v poglavju **12. Tehnični podatki**.
- Pri postavitvi peči za savno upoštevajte minimalne varnostne razmike (glejte poglavje **4.2. Varnostni razmiki**).
- Upoštevajte tudi krajevna določila na postavitvenem mestu.
- Pri problemih, ki v navodilih za montažo niso dovolj izčrpno obdelani, se zaradi svoje lastne varnosti obrnite na svojega dobavitelja.

2.3. Varnostni napotki za uporabnika

- Naprave ne smejo uporabljati otroci mlajši od 8 let.
- Napravo smejo uporabljati otroci starejši od 8 let, osebe z zmanjšanimi psihičnimi, senzoričnimi ali mentalnimi sposobnostmi in osebe s pomanjkljivimi izkušnjami in vedenjem le pod naslednjimi pogoji:
 - če so pod nadzorom,
 - če jim je bila predstavljena varna uporaba in razumejo nevarnosti, ki bi lahko nastale.
- Otroci se z napravo ne smejo igrati.
- Otroci mlajši od 14 let smejo napravo čistiti le pod nadzorom.
- Če ste pod vplivom alkohola, zdravil ali drog, se kopeli v savni odpovejte iz zdravstvenih razlogov.
- Peč za savno nikoli ne sme obratovati brez kamenja za savno, ker bi to lahko povzročilo požare.
- Prepričajte se, da na peči za savno ne ležijo nobeni gorljivi predmeti, šele nato lahko vklopite krmiljenje savne.
- PRED prvo kopeljo v savni zagrejte peč za savno za pol ure. V tem času se NE zadržujte v kabini savne. Nato kabino savne dobro prezračite (glejte **6.4. Prvo zagrevanje** na strani **21**).
- Me obratovanjem se nikoli ne dotikajte peči. Površina peči in kamenje za savno so zelo vroči.
- Pri problemih, ki v navodilih za uporabo niso dovolj izčrpno obdelani, se zaradi svoje lastne varnosti obrnite na svojega dobavitelja.

3. Opis proizvoda

3.1. Dobavni obseg

- Peč za savno
- Montažni material
- Varovalna mreža
- Adapter tipala (le HWO-080 do HWO-105)
- Cev za poparek s skodelo za poparek
- Nalepki „Opozorila posoda za kamenje“ in „Ne prekrivajte“
- Navodila za montažo in uporabo

3.2. Izbirni dodatki

<i>Pribor</i>	<i>Štev. artikla</i>
Povečanje moči	O-S2-18 / O-S2-18S O-S2-30

3.3. Funkcije proizvoda

Ta peč za savno, pritrjena na zadnjo steno, je finska peč za savno in omogoča ustvarjanje za finsko savno značilne klime 80 do 100 °C pri zračni vlagi pribl. 10 %.

S cevjo za poparek lahko polijete vodo na kamenje. Voda izpari in vlažnost v kabini se poveča.

4. Montaža in priključitev

Upoštevajte naslednje točke pri postavitvi in priključitvi peči za savno:



OPOZORILO!

Nevarnost udara električnega toka

- Montažo in priključitvena dela na peči za savno opravite le v breznapetostnem stanju.
-

- Električno priključitev sme opraviti le elektro strokovnjak ali kvalificirana oseba podobne stroke.
- Na mestu samem je potrebno predvideti ločilno napravo za vse pole s popolnim izklopom skladno s prenapetostno kategorijo III.
- Peči za savno ne postavite na tla iz lahko gorljivega materiala kot sta les ali umetna masa. Primerne talne obloge so npr. keramične ploščice.

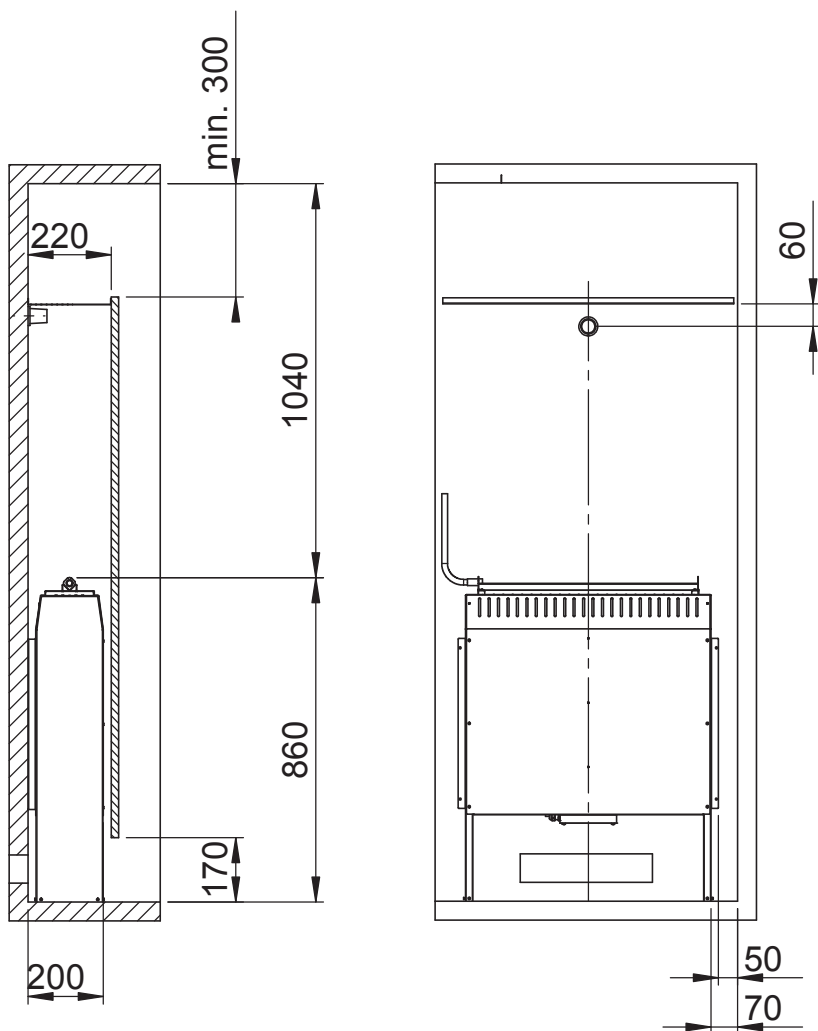
4.1. Postavitveno mesto

Peč postavite središčno pred vstopno odprtino za zrak v steni kabine. Pri tem upoštevajte varnostne razmike od stene kabine, ki so navedeni v **SI. 1**.

4.2. Varnostni razmiki

Upoštevajte minimalne varnostne razmike, ki so navedeni v **SI. 1**.

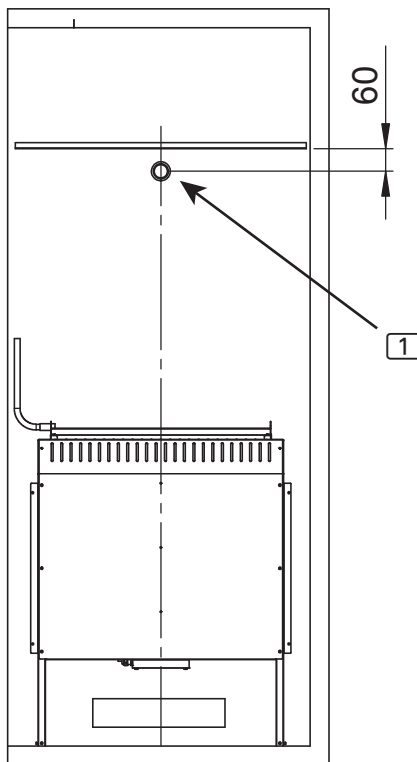
SI. 1 Varnostni razmiki za peč za savno, pritrjeno na zadnjo steno (HWO-090NS-P / HWO-105NS-P)
dimenzije v mm



4.3. Položaj tipala

V nasprotju z montažo tipala vaše krmilne naprave za savno, montirajte tipalo peči, kot je prikazano na **Sl. 2**. Tipalo peči 1 montirajte sredinsko nad peč, 60 mm (sredina tipala) pod varovalno mrežo. Upoštevajte navedene dimenzije glede varovalne mreže, ki jih dobite v „**Varnostni razmiki**“ na strani **10**.

Sl. 2



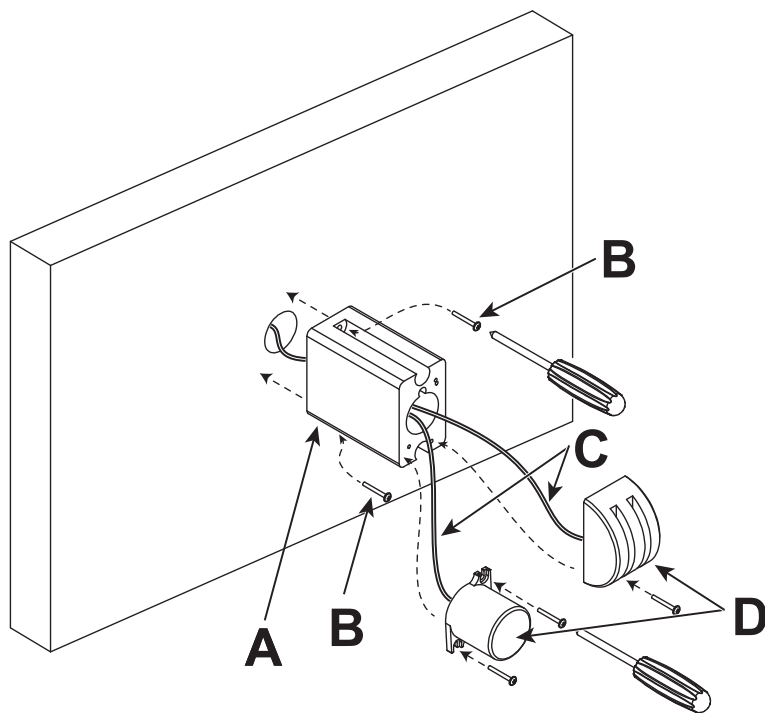
4.4. Montaža adapterja tipala

Pritrdite adapter tipala **A** (sodi v obseg dobave peči) v spodaj „**Položaj tipala**“ na strani 11 naveden položaj z lesnimi vijaki **B** na steno savne.

Kabel tipala speljite **C** skozi adapter tipala **A** in steno savne.

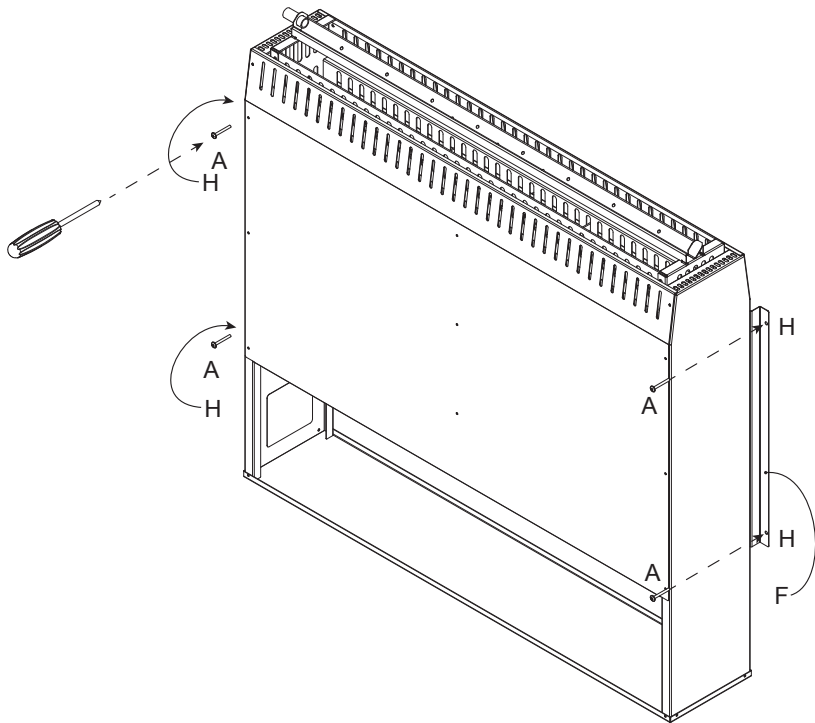
Sedaj montirajte tipalo **D** na čelno stran adapterja tipala **A**.

Pazite na to, da vijaki zadenejo v določeno granulacijo.



4.5. Pritrditev peči na steno savne

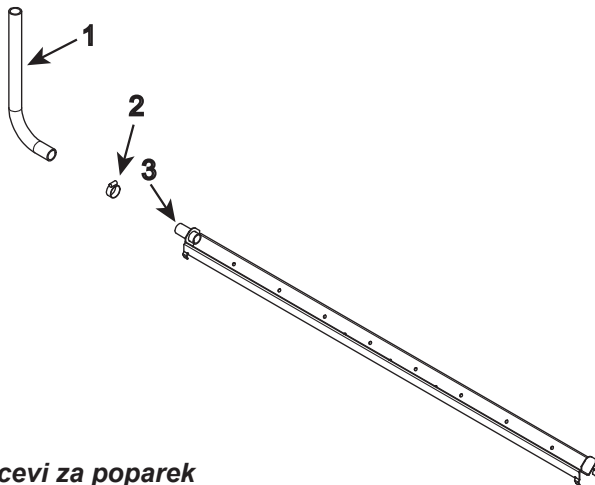
Da peč pritrdite in zavarujete pred zdrsom ali padcem, jo pritrdite v obojestranski montažni priborici **F** skozi pritrdilne izvrtine **H** z dobavljenimi lesnimi vijaki **A**.



4.6. Montaža cevi za poparek

Cevno objemko 2 vstavite v odprtem stanju na cev za poparek 1. Cev potisnite čez priključni kos 3.

Z izvijačem cevno objemko trdno privijte.



Polaganje cevi za poparek

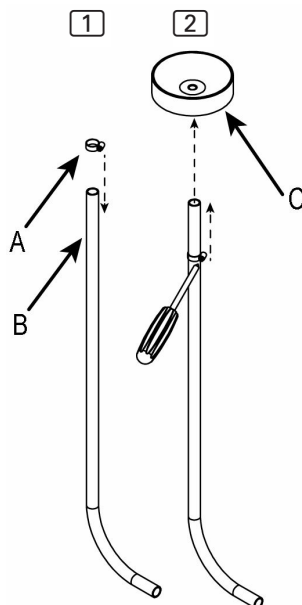
Pri polaganju cevi pazite na neprekinjen naklon. Voda, ki se zbira v poglobljenih delih, lahko po daljših premorih v obratovanju vpliva na kakovost zraka.

1

Popolnoma odprite cevno objemko **A** in jo namestite prek cevi za poparek **B**.

2

Sedaj speljite cev za poparek prek priključnega kosa skodele za poparek **C**. Cev pritrdite s cevno objemko **A**.



5. Električna priključitev

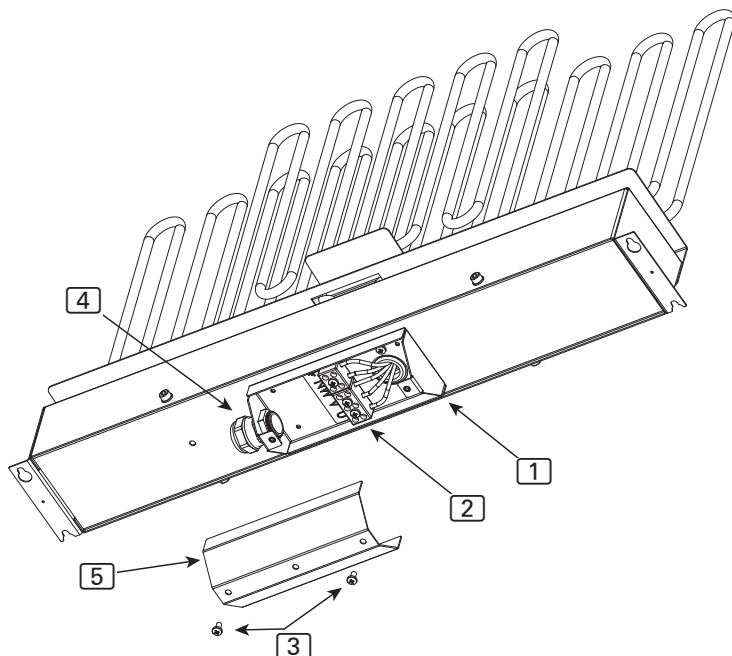


POZOR!

Nevarnost udara električnega toka

- Montažo in priključitvena dela na peči za savno opravite le v brez-napetostnem stanju.

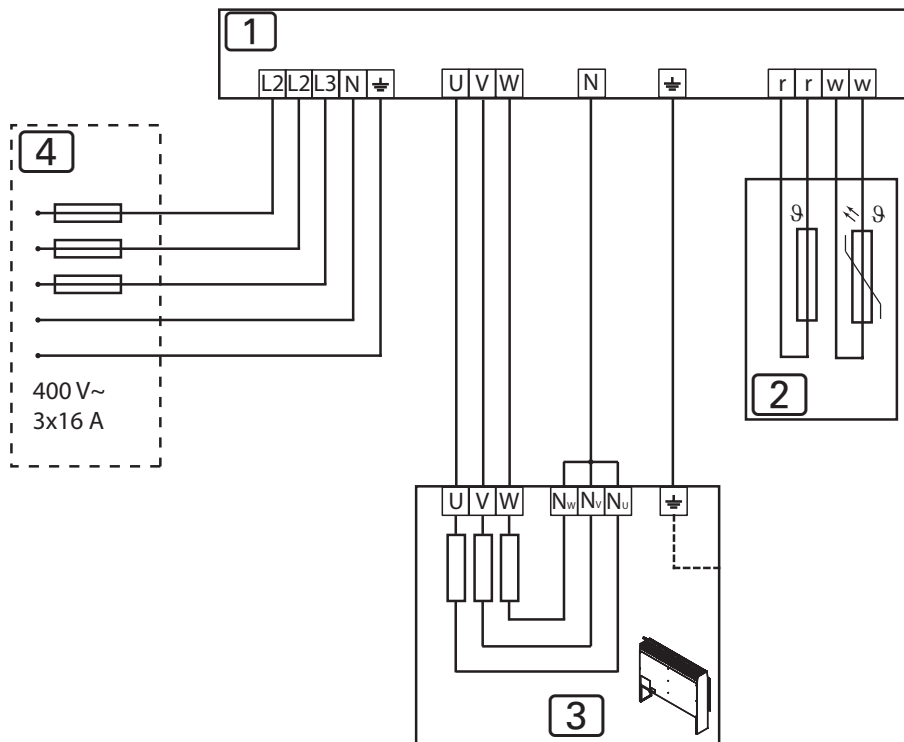
1. Z izvijačem odvijte vijake [3] pokrova 5.
2. Pokrov 5 potegnite s priključne škatle 1.
3. Kabel potegnite skozi skoznjik [4].
4. Priključite žile U – V – W – N – PE kabla na ustrezne sponke [2].



5. Trdno privijte skoznjik 4.
6. Pokrov 5 ponovno namestite na priključno škatlo 1 in pritrdite z vijaki 3.

5.1. Priključitveni načrt 400V 3N~

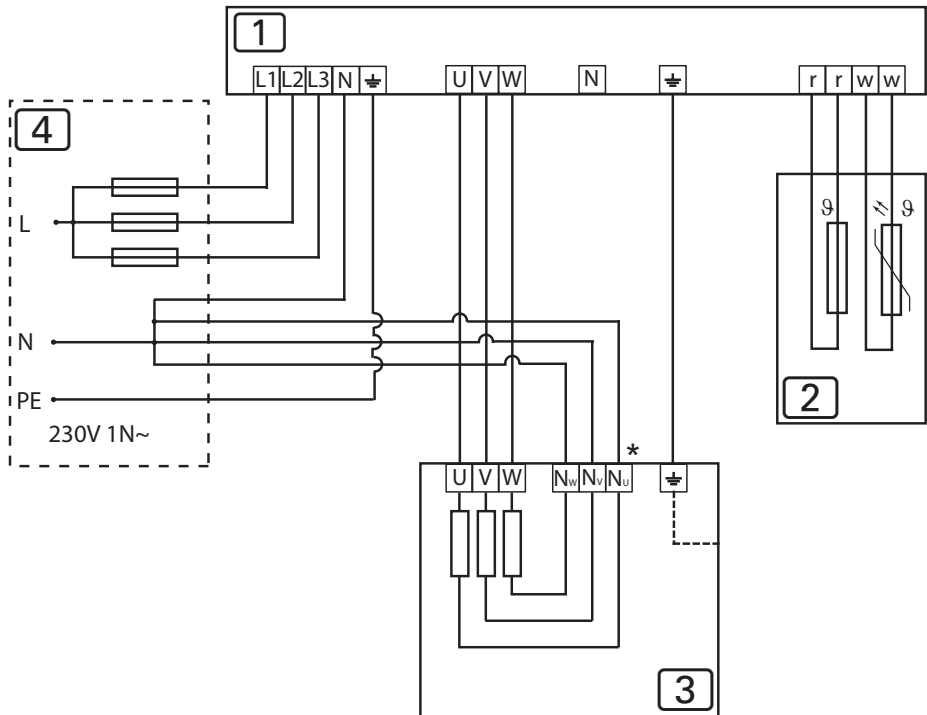
SI. 3 Priključitveni načrt
(HWO-090NS-P / HWO-105NS-P)



- 1 krmiljenje savne
- 2 tipalo temperature z varovalko pred previsoko temperaturo
- 3 peč, pritrjena na zadnjo steno
- 4 oskrba s tokom

5.2. Priključitveni načrt 230V 1N~

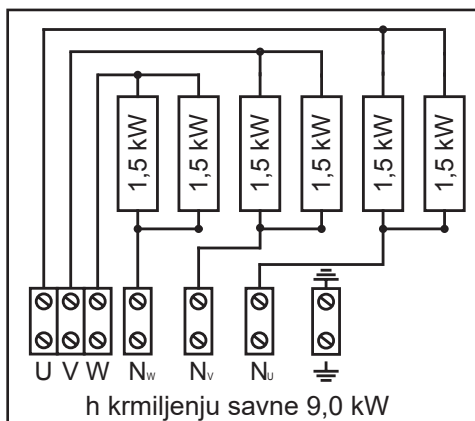
SI. 4 Priključitveni načrt
(HWO-090NS-P / HWO-105NS-P)



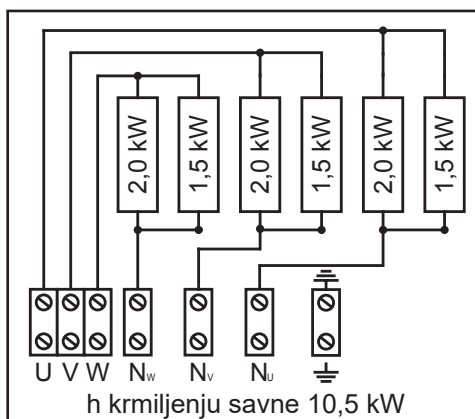
- 1 krmiljenje savne
- 2 tipalo temperature z varovalko pred previsoko temperaturo
- 3 peč, pritrjena na zadnjo steno
- 4 oskrba s tokom
- * Odstranite bakreni mostič

5.3. Sheme priključitve in ožičenja

HWO-090NS



HWO-105NS



6. Zagon

6.1. Polnjenje posode za kamenje



OPOZORILO!

Nevarnost požara zaradi pregretja

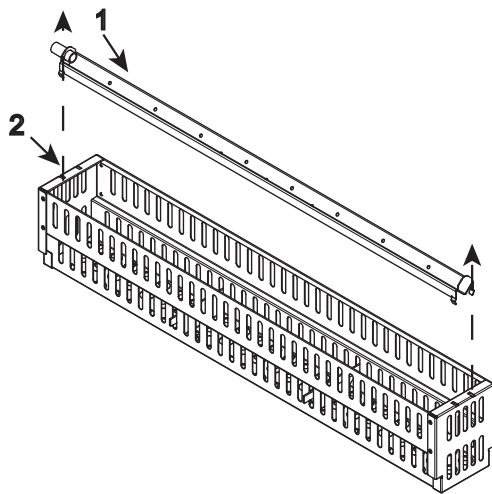
Če uporabite peč za savno brez kamenja, se stene kabine močno segrejejo. To lahko povzroči požare.

- Peči za savno NIKOLI ne zaženite brez kamenja za savno.

Količino kamenja, ki je primerna za moč vaše peči najdete v poglavju

12. Tehnični podatki (glejte stran 26).

1. Pred uporabo kamenje za savno temeljito operite s ščetko in vodo. Ne uporabljajte dodatkov za čiščenje.
2. Preden peč za savno napolnite s kamenjem preverite, da ti ne vsebujejo tujkov in odstranite ostanke embalaže.
3. Žleb za poparek **1** povlecite s posode za kamenje **2** v smeri navzgor in enakomerno razporedite peči ustrezno količino kamenja v košari za kamenje **2**.
4. Razporedite jih rahlo, tako da lahko zrak med njimi kroži. Pazite, da kamenje ne sega čez rob posode.
5. Žleb za poparek **1** ponovno vstavite v posodo za kamenje. Pazite na to, da ta pravilno zaskoči.



6.2. Namestitev opozorilne tablice za posodo za kamenje

Opozorilno tablico, ki sodi v obseg dobave peči, morate namestiti znotraj kabine na dobro vidno mesto.

Če je posoda za kamenje nezadostno napolnjena, to povzroči nevarnost požara!
Insufficient filled stone container causes fire hazard!
Un recipiente di pietre non riempito a sufficienza può causare rischio di incendio!
Onvoldoende gevulde steenhouders veroorzaakt brandgevaar!
Risque d'incendie si le réservoir de pierres n'est pas suffisamment rempli!

12/2011 8000217

6.3. Namestitve opozorilne tablice „Ne prikrivajte”

Opozorilno tablico, ki sodi v obseg dobave peči, morate namestiti znotraj kabine na dobro vidno mesto v bližino peči.



6.4. Prvo zagrevanje



PREVIDNOST!

Nastanek dima in vonja ob prvem zagrevanju

Na novih ogrevalnih palicah so obratovne snovi iz postopka izdelave. Te se razkrojijo ob prvem zagrevanju peči za savno. Pri tem nastane dim in neprijeten vonj. Če te pare ali dim vdihujete, škoduje to vašemu zdravju.

Naslednje korake opravite, ko vašo peč za savno **prvič zaženete** in ko ste **ogrevalne palice vaše peči za savno** zamenjali. Tako preprečite škodovanje zdravju zaradi par in dima, ki nastanejo ob prvem zagrevanju.

1. Na krmilni napravi za savno izberite najvišjo možno temperaturo.
2. Peč za savno zagrejte za pol ure.
V tem času se NE zadržujte v kabini savne.
3. Po prvem zagrevanju kabino savne dobro prezračite.
4. Če pri naslednjem zagrevanju dim in vonj ne nastajata več, lahko začnete s kopeljo v savni.
Če dim in vonj ponovno nastaneta, takoj zapustite kabino savne in ponovite prvo zagrevanje, kateremu mora slediti zračenje.

7. Upravljanje



OPOZORILO!

Nevarnost požara

Gorljivi predmeti, ki ležijo na vroči peči ali ležijo nad pečjo v zračnikih, se vnamejo in povzročijo požare.

- NIKOLI ne položite gorljivih predmetov na peč.
- Prepričajte se, da na peči za savno ne ležijo NOBENI gorljivi predmeti, šele nato zaženite peč za savno.

7.1. Upravljanje peči za savno

Upravljanje peči za savno poteka prek krmiljenja za savno. Informacije o upravljanju krmiljenja za savno dobite v navodilih za upravljanje naprave, ki jo uporabljate. Upoštevajte, da je peč, pritrjena na zadnjo steno, primerna le za krmiljenje savne brez funkcije daljinskega zagona.

7.2. Polivanje

Po končanem savnanju lahko opravite poparek. Za to z zajemalko ulijte vodo v skodelo za poparek. Voda izpari in vlažnost v kabini se poveča.



Zaradi cevi za poparek se poparek zakasni. Po vsakem polnjenju skodele za poparek počakajte, da voda popolnoma preteče.

Pri poparku upoštevajte naslednje točke:

- Za polivanje uporabite le vodo iz vodovoda. Morska voda, voda, ki vsebuje veliko kalcija in močno klorirana voda lahko poškodujejo peč za savno.
- Uporabite le dišave in eterična olja, ki so primerni izključno za uporabo kot sredstva za poparke v savnah. Upoštevajte podatke proizvajalca na embalaži sredstva za poparke.
- Vode ne ulijte prehitro v skodelo za poparek. Le tako bo voda popolnoma izparela.

8. Vzdrževanje

8.1. Daljši premori med obratovanji

Ob vlažnih pogojih v okolici ali daljših premorih med obratovanji se v ogrevalnih palicah kopiči vlaga. To je fizikalni pojav in ni napaka proizvajalca. Vlaga v ogrevalnih palicah lahko povzroči sprožitev zaščitnega sikala FI. V tem primeru naj napako odpravi elektro strokovnjak (glejte poglavje **10. Reševanje problemov s strani monterja**).



Peč za savno zagrejte vsakih 5 do 6 tednov za pribl. 15 minut. Tako preprečite, da bi se ob daljših premorih med obratovanji v ogrevalnih palicah kopičila voda.

8.2. Čiščenje peči za savno

Pazite na to, da se v prezračevalnih odprtinah ne nabira prah in prašni puhek. Tako preprečite, da bi bila cirkulacija zraka v peči omejena in da bi se naprava pregrela.

8.3. Menjava kamenja za savno

Kamenje za savno obremenjujejo sredstva za poparke in velike temperaturne razlike, do katerih pride pri uporabi. Kamenje lahko postane načeto in krhko.

Zato preverite kamenje v rednih časovnih razmikih in ga najmanj enkrat letno zamenjajte.



OPOZORILO!

Nevarnost požara zaradi pregretja

Če uporabite peč za savno brez kamenja, se stene kabine močno segrejejo. To lahko povzroči požare.

- Peči za savno NIKOLI ne zaženite brez kamenja za savno.

1. Staro kamenje za savno odstranite.
2. Posodo za kamenje očistite ostankov kalcija, prahu in drugih nečistoč.
3. Pred uporabo kamenje za savno temeljito operite s ščetko in vodo. Ne uporabljajte dodatkov za čiščenje.
4. Preden peč za savno napolnite s kamenjem preverite, da ti ne vsebujejo tujkov in odstranite ostanke embalaže.
5. Kamenje za savno položite v posodo za kamenje. Razporedite jih rahlo, tako da lahko zrak med njimi kroži.
6. Pazite, da kamenje ne sega čez rob posode.

9. Odstranjevanje



- Embalažni material odstranite po veljavnih smernicah za odstranjevanje.
- Izrabljene stare naprave vsebujejo ponovno uporabne materiale, pa tudi škodljive snovi. Zato vaše stare naprave ne odložite med ostale odpadke, temveč jo odstranite po krajevnih veljavnih predpisih.

10. Reševanje problemov s strani monterja

Ohlajanje ogrevalnih palic

Ob vlažnih pogojih v okolici ali daljših premorih med obratovanji se lahko v ogrevalnih palicah kopiči vlaga. To je fizikalni pojav in ni napaka proizvajalca. Vlaga v ogrevalnih palicah lahko povzroči sprožitev zaščitnega stikala FI.

V tem primeru je potrebno, da peč ohladite pod nadzorom elektro strokovnjaka. Pri tem se mora izklopiti zaščitno funkcijo stikala FI. Postopek ohlajanja traja pribl. 10 minut. Nato se mora ponovno vzpostaviti zaščitno funkcijo stikala FI.

Če težave še vedno ne morete odpraviti, se obrnite na vašega dobavitelja.

11. Nadomestni deli

<i>Štev. artikla</i>	<i>Ogrevalne palice</i>
HWO-090NS	6 x SCA150 (1-028-518)
HWO-105NS	3 x SCA150 (1-028-518) / 3 x SCA200 (1-043-503)

<i>Štev. artikla</i>	<i>Označitev</i>
1-028-845	Varovalna mreža za peč za 8,0–10,5 kW
1-028-297	Skodela za poparek

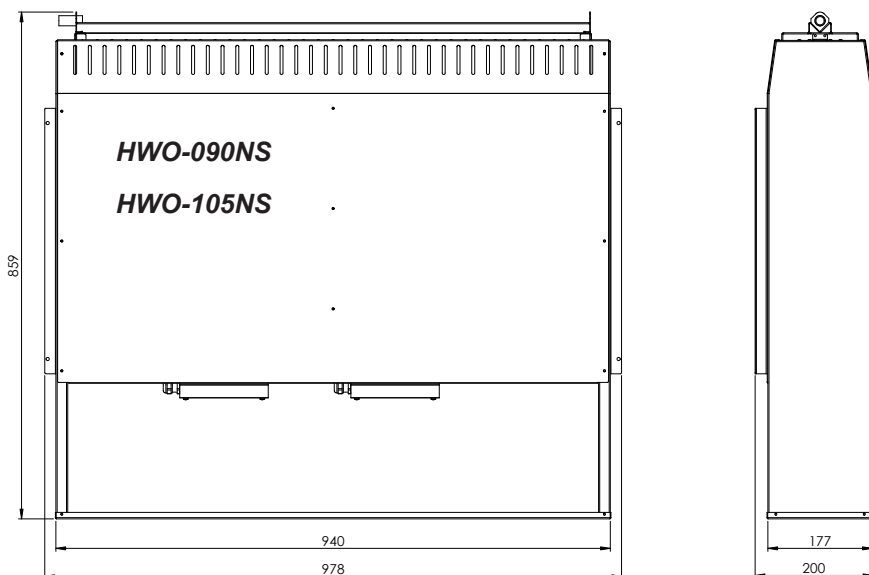
12. Tehnični podatki

Štev. artikla	Moč [kW]	Volumen kabine [m ³]	Minimalna velikost prezračevalna odprtina [mm]	Teža brez kamenja [kg]
HWO-090NS	9,0 kW	9–14 m ³	350 x 50	32
HWO-105NS	10,5 kW	10–15 m ³	350 x 60	32

Štev. artikla	Količina kamenja [kg]	Varovalka [A]	Oskrba
HWO-090NS	pribl. 15	3 x 16 / 1 x 50	400 V AC 3N~ 50/60 Hz 230 V AC 1N~ 50/60 Hz
HWO-105NS	pribl. 15	3 x 16 / 1 x 50	400 V AC 3N~ 50/60 Hz 230 V AC 1N~ 50/60 Hz

13. Dimenzije

Podatki v mm.



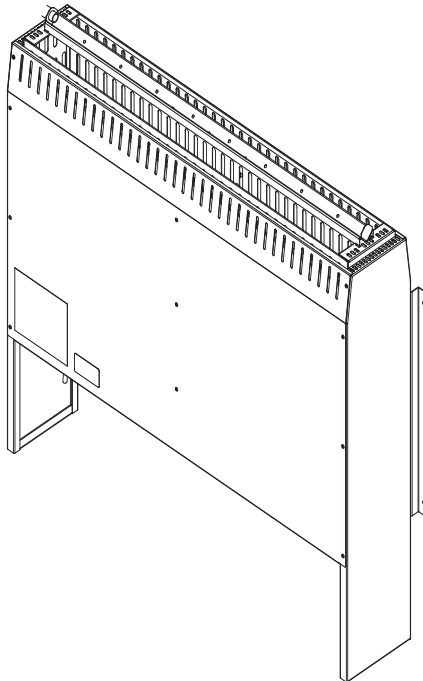
Kiuas

Seinäkiinnitteinen kiuas

HWO-090NS-P / 1-027-800: Seinäkiinnitteinen kiuas 9,0 kW

HWO-105NS-P / 1-027-801: Seinäkiinnitteinen kiuas 10,5 kW

ASENNUS- JA KÄYTTÖOHJEET Suomi



FI

Sisällysluettelo

1. Sananen näistä ohjeista	4
2. TÄRKEITÄ OHJEITA turvallisuutesi varmistamiseksi	5
2.1. Käyttötarkoitus	5
2.2. Turvaohjeita asentajalle	5
2.3. Turvaohjeita käyttäjälle	7
3. Tuotekuvaus	8
3.1. Toimituskokonaisuus	8
3.2. Valinnaiset lisävarusteet	8
3.3. Tuotteen toiminnot	8
4. Asennus ja liitântä	9
4.1. Sijoituspaikka	9
4.2. Suojaetäisyydet	10
4.3. Anturin paikka	11
4.4. Anturin adapterin asennus	12
4.5. Kiukaan kiinnittäminen seinään	13
4.6. Löylyputken asennus	14
5. Sähköliitântä	15
5.1. Liitântäkaavio 400V 3N~	16
5.2. Liitântäkaavio 230V 1N~	17
5.3. Johdotuskaaviot	18

6. Käyttöönotto	19
6.1. Kivitiilan täyttäminen	19
6.2. Kivitiilan ohjekilven paikka	20
6.3. "Ei saa peittää" -kilven sijoittaminen	20
6.4. Ensimmäinen lämmityskerta	21
7. Käyttö	22
7.1. Kiukaan käyttö	22
7.2. Löylyn heittäminen	22
8. Huolto	23
8.1. Pidemmät käyttökatkokset	23
8.2. Kiukaan puhdistaminen	23
8.3. Kiuaskivien vaihtaminen	23
9. Hävittäminen	24
10. Asentajan ongelmanratkaisuja	25
11. Varaosat	25
12. Tekniset tiedot	26
13. Mitat	26

1. Sananen näistä ohjeista

Lue nämä asennus- ja käyttöohjeet huolellisesti läpi ja säilytä niitä saunan lähellä. Näin voit katsoa turvallisuuttasi sekä käyttöä koskevia tietoja milloin tahansa.



Asennus- ja käyttöohjeet saat myös Internet-sivujemme materiaalinla-
tausosiosta osoitteesta www.sentiotec.com/downloads.

Symbolit ja varoitukset

Näissä asennus- ja käyttöohjeissa annetaan varoitus ennen toimia, jotka muodostavat vaaratekijän. Näitä varoituksia on ehdottomasti noudatettava. Näin vältät esinevahingot ja loukkaantumiset, jotka pahimmassa tapauksessa voivat aiheuttaa jopa kuoleman.

Varoituksissa käytetään huomiosanoja, joiden merkitys on seuraava:



VAARA!

Jos et noudata tätä varoitusta, seurauksena on kuolema tai vakava loukkaantuminen.



VAROITUS!

Jos et noudata tätä varoitusta, seurauksena voi olla kuolema tai vakava loukkaantuminen.



VARO!

Jos et noudata tätä varoitusta, seurauksena voi olla lievä loukkaantuminen.

HUOMIO!

Tällä huomiosanalla varoitetaan esinevahingoista.

Muut symbolit



Tällä symbolilla merkitään vinkit ja hyödylliset ohjeet.



Ei saa peittää!



Lue käyttöohjeet

2. TÄRKEITÄ OHJEITA turvallisuutesi varmistamiseksi

Tämä seinäkiinnitteinen kiuas on valmistettu hyväksytyjen turvallisuusteknisten sääntöjen mukaan. Käytön yhteydessä voi silti ilmetä vaaroja. Noudata siksi seuraavia turvaohjeita ja yksittäisissä luvuissa annettuja erityisiä varoituksia.

2.1. Käyttötarkoitus

Tätä seinäkiinnitteistä kiuasta saa käyttää saunahuoneiden lämmittämiseen ainoastaan ohjauskeskuksella, jossa ei ole etäkännistystoimintoa.

Muunlaisen käytön katsotaan poikkeavan tuotteen käyttötarkoituksesta. Tuotteen käyttötarkoituksesta poikkeava käyttö voi johtaa tuotteen vaurioitumiseen, vakaviin vammoihin tai kuolemaan.

2.2. Turvaohjeita asentajalle

- Kiukaan parissa tehtävät asennus- ja liitäntätyöt saa suorittaa vain silloin, kun kiuas ei ole kytkettynä virtalähteeseen.
- Vain sähköalan ammattilainen tai vastaavan pätevyyden omaava henkilö saa suorittaa asennuksen.
- Asiakkaan on järjestettävä ylijännitekategorian III mukainen kaikkinaipainen erotuslaite, joka takaa täyden katkaisun.
- Käytä kiukaan liittämiseen ainoastaan 150 °C kestäviä silikoni-johtoja.
- Asenna saunahuoneeseen ainoastaan yksi kiuas. Seinäkiinnitteistä kiuasta ei saa käyttää samassa saunahuoneessa muiden kiukaiden kanssa.

- Saunahuoneen katto ja seinät on valmistettava pihkaamattomasta, käsittelemättömästä tai lämpökäsitellystä puusta, esim. kuusesta, hemlokista, männystä tai pihdasta tai kertopuumateriaaleista. Kertopuumateriaaleja käytettäessä on varmistettava, että niiden liimoista ei irtoa formaldehydiä. Jos saunahuoneessa käytetään muita materiaaleja kuin puuta, näiden materiaalien pitää kestää kuumuutta ja korroosiota, eikä niillä saa olla kielteistä vaikutusta saunojen terveyteen.
- Saunahuoneen korkeuden on oltava vähintään 1,9 metriä.
- Huomaa saunahuoneen tilavuutta ja tuuletusta koskevat ohjeet kappaleessa **12. Tekniset tiedot**.
- Kiuasta sijoitettaessa on otettava huomioon vähimmäissuojajäätäisyydet (katso kappale **4.2. Suojaetäisyydet**).
- Noudata myös sijoituspaikan paikallisia määräyksiä.
- Käänny oman turvallisuutesi vuoksi toimittajasi puoleen sellaisissa ongelmissa, joita ei käsitellä asennusohjeessa kyllin tarkasti.

2.3. Turvaohjeita käyttäjälle

- Alle 8-vuotiaat lapset eivät saa käyttää laitetta.
- Yli 8-vuotiaat lapset, fyysisiltä, sensorisilta tai henkisiltä kyvyiltään rajoittuneet henkilöt sekä henkilöt, joiden kokemus ja tiedot ovat puutteellisia, saavat käyttää laitetta seuraavin ehdoin:
 - jos he ovat valvonnan alaisia.
 - jos heille on näytetty turvallinen käyttö ja he ymmärtävät vaarat, joita voi syntyä.
- Lapset eivät saa leikkiä laitteella.
- Alle 14-vuotiaat lapset saavat puhdistaa laitteen vain valvonnan alaisina.
- Jätä saunominen terveydellisistä syistä väliin, jos olet alkoholin, lääkkeiden tai huumeiden vaikutuksen alaisena.
- Kiuasta ei saa koskaan käyttää ilman saunakiviä, muutoin voi syttyä tulipalo.
- Ennen kuin kytket kiukaan päälle, varmista, että kiukaalla ei ole tulenarkoja esineitä.
- Lämmitä kiuasta puoli tuntia ENNEN ensimmäistä saunomista. ÄLÄ oleskele tänä aikana saunahuoneessa. Tuuleta saunahuone loppuksi hyvin (katso **6.4. Ensimmäinen lämmityskerta** sivulla **21**).
- Älä koske kiukaaseen käytön aikana. Kiukaan pinta ja kivet kuumenevat hyvin voimakkaasti.
- Käännä oman turvallisuutesi vuoksi toimittajasi puoleen sellaisissa ongelmissa, joita ei käsitellä käyttöohjeessa kyllin tarkasti.

3. Tuotekuvaus

3.1. Toimituskokonaisuus

- Kiuas
- Asennusmateriaali
- Suojaritilä
- Anturin adapteri (vain HWO-080 – HWO-105)
- Löylyputki ja löylyastia
- Tarrat "Varoitusohjeet kivitila" ja "Ei saa peittää"
- Asennus- ja käyttöohjeet

3.2. Valinnaiset lisävarusteet

<i>Lisävarusteet</i>	<i>Tuotenumero</i>
Teholaajennus	O-S2-18 / O-S2-18S / O-S2-30

3.3. Tuotteen toiminnot

Tämä seinäkiinnitteinen kiuas on suomalainen kiuas, ja se mahdollistaa suomalaisille saunoille tyypillisen 80...100 °C:een saunomislämpötilan ilmankosteuden ollessa noin 10 %.

Löylyputken kautta kiuaskiville voi kaataa vettä. Vesi höyrystyy, ja ilmankosteus saunahuoneessa kohoaa.

4. Asennus ja liitäntä

Huomaa seuraavat kohdat, kun asennat ja liität kiuasta:



VAROITUS!

Sähköiskuvaara

- Suorita kiukaan asennus- ja liitäntätyöt ainoastaan sen ollessa jännitteetön.

-
- Vain sähköalan ammattilainen tai vastaavan pätevyyden omaava henkilö saa suorittaa sähköliitännät.
 - Asiakkaan on järjestettävä ylijännitekategorian III mukainen kaikkinaipainen erotuslaite, joka takaa täyden katkaisun.
 - Älä sijoita kiuasta helposti palavasta materiaalista valmistetulle lattialle, kuten puu tai muovi. Sopiva lattiamateriaali on esim. keraaminen laatta.

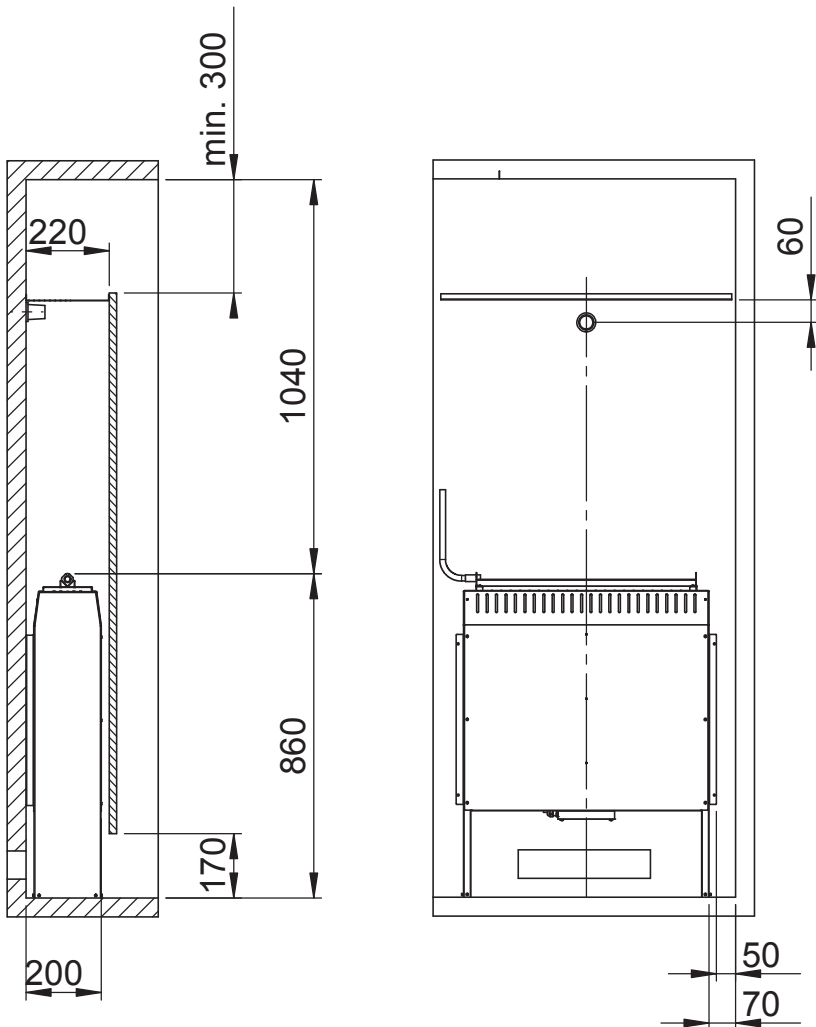
4.1. Sijoituspaikka

Sijoita kiuas keskelle saunahuoneen seinän ilmanottoaukkojen eteen. Noudata tällöin seinään pidettäviä suojaetäisyyksiä, ks. **Kuva 1**.

4.2. Suojaetäisyydet

Ota vähimmäissuojaetäisyydet huomioon, ks. **Kuva 1**.

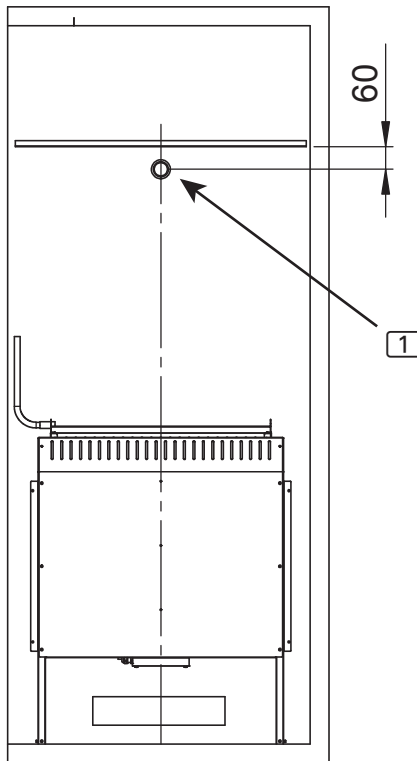
Kuva 1 Turvallisuusetäisyydet seinäkiinnitteinen kiuas
(HWO-090NS-P / HWO-105NS-P)
Mittayksikkö mm



4.3. Anturin paikka

Saunan ohjauskeskuksen anturin asennuksesta poiketen kiukaan anturi asennetaan kuten **Kuva 2** osoittaa. Asenna kiuasanturi 1 keskelle kiukaan yläpuolelle, 60 mm (anturin keskikohta) suojaritilän alapuolelle. Noudata kohdassa ”**Suojaetäisyydet**” sivulla **10** annettuja mittoja suojaritilän suhteen.

Kuva 2



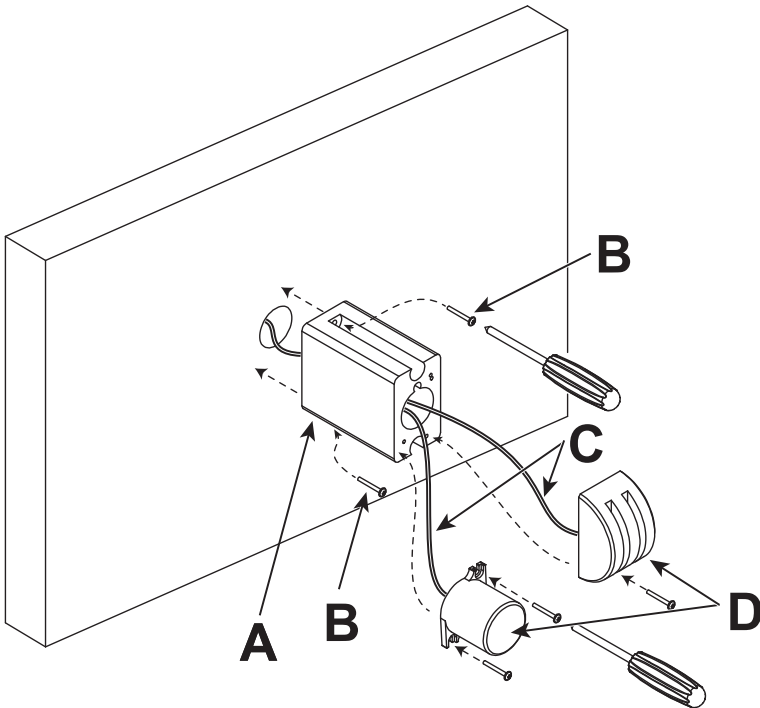
4.4. Anturin adapterin asennus

Kiinnitä anturin adapteri **A** (mukana kiukaan toimituskokonaisuudessa) kohdassa ”**Anturin paikka**” **sivulla 11** mainittuun paikkaan saunan seinässä puuruuveilla **B**.

Vie anturin johto **C** anturin adapterin **A** ja saunan seinän läpi.

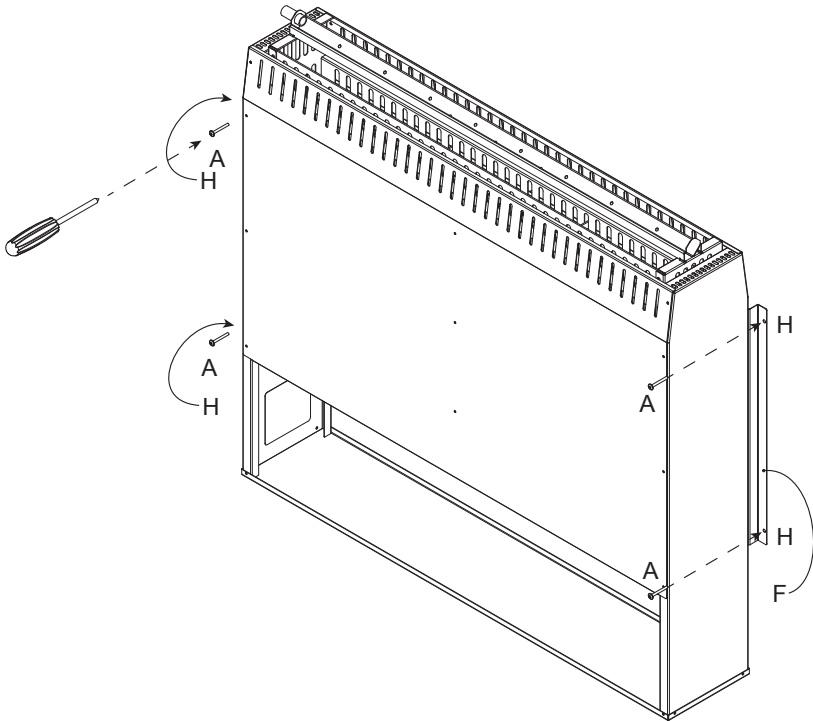
Asenna nyt anturi **D** anturin adapterin etupuolelle **A**.

Varmista, että ruuvit osuvat niille tarkoitettuihin reikiin.



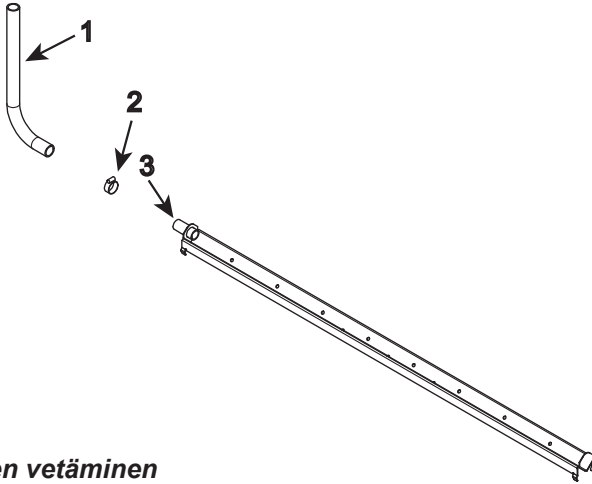
4.5. Kiukaan kiinnittäminen seinään

Kiuas kiinnitetään, ja sen luiskahtaminen paikaltaan ja kaatuminen estetään ruuvaamalla kiuas toimituksessa mukana tulleilla ruuveilla **A** kiinnitysreikien **H** läpi molemmilla puolilla oleviin kiinnityslaippoihin **F**.



4.6. Löylyputken asennus

Aseta letkunkiristin 2 avattuna löylyputkeen 1. Työnnä putki liitännäkappaleen 3 päälle. Kiristä letkunkiristin ruuvimeisselillä.



Löylyputken vetäminen

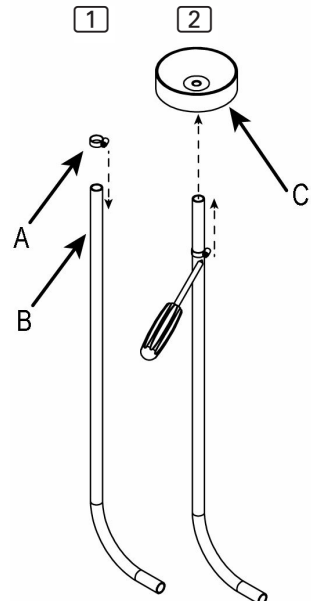
Huomioi jatkuva kallistuma putkea vedettäessä. Painaumiin seisomaan jäävä vesi voi pidempien käyttötaukojen aikana huonontaa ilmanlaatua.

1

Avaa letkunkiristin **A** kokonaan ja aseta se löylyputken **B** päälle.

2

Ohjaa löylyputki löylyastian **C** liitospäähän. Kiinnitä putki letkunkiristimellä **A**.



5. Sähköliitäntä

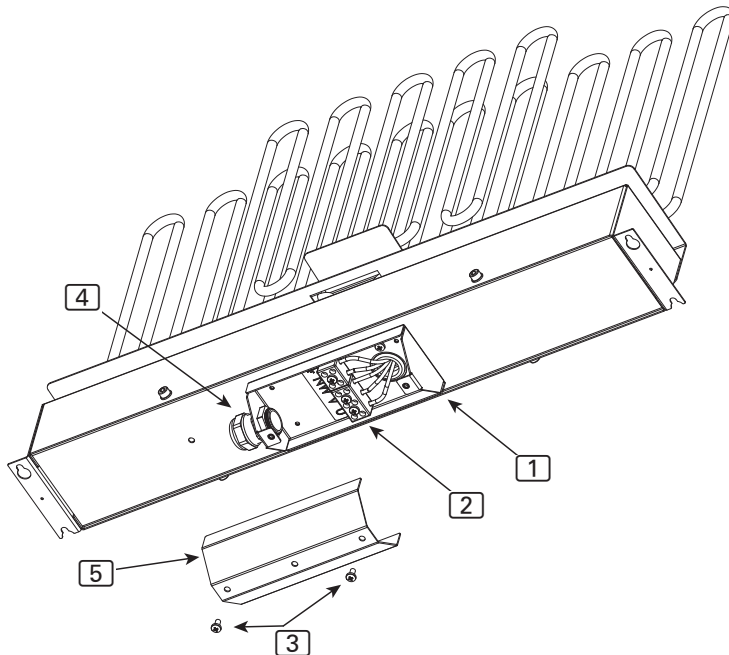


HUOMIO!

Sähköiskuvaara

- Suorita kiukaan asennus- ja liitäntätyöt ainoastaan sen ollessa jännitteetön.

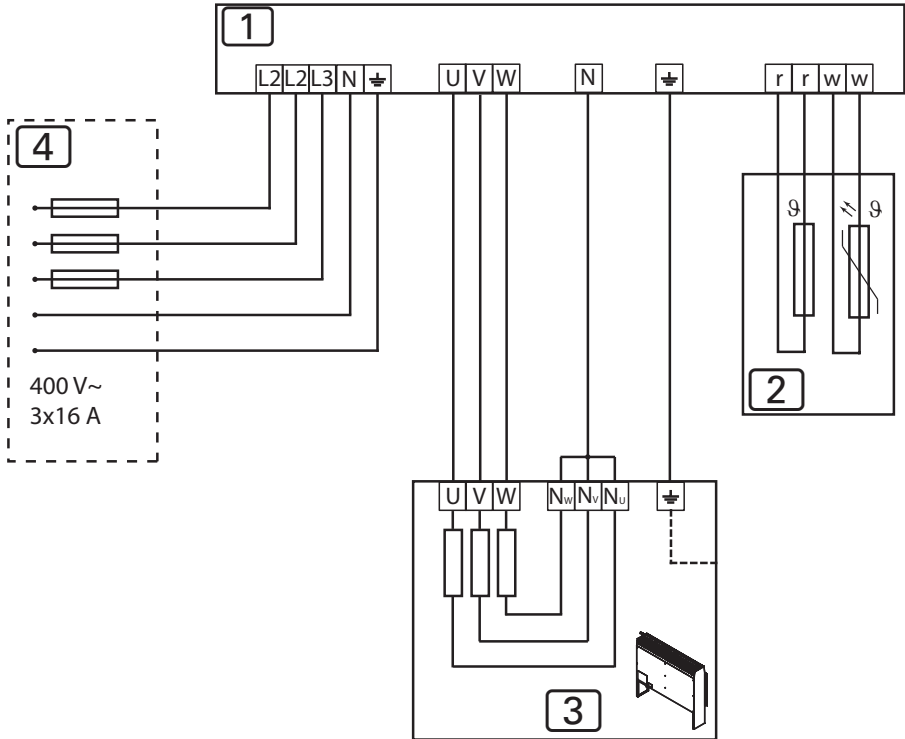
1. Avaa kateen 5 ruuvit **3** ruuvimeisselillä.
2. Irrota kate 5 liitäntärasiasta 1.
3. Vedä kaapeli läpiviennin **4** kautta.
4. Liitä kaapelin johtimet U – V - W – N – PE vastaaviin liittimiin **2**.



5. Kiristä läpivienti 4.
6. Aseta kate 5 uudelleen liitäntärasialle 1 ja kiinnitä se ruuveilla 3.

5.1. Liitântäkaavio 400V 3N~

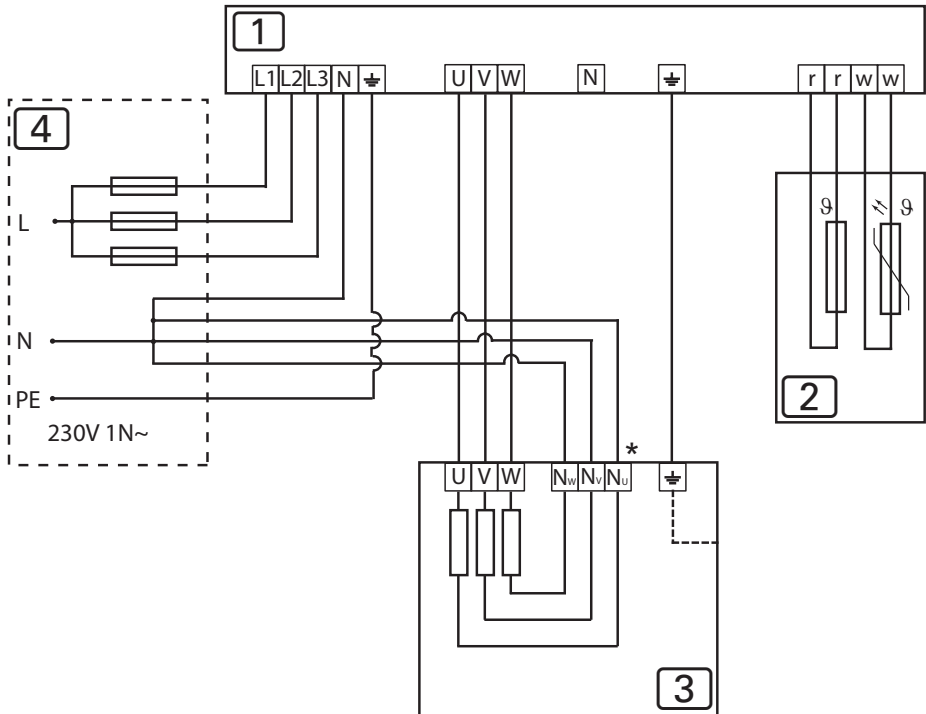
Kuva 3 Liitântäkaavio
(HWO-090NS-P / HWO-105NS-P)



- 1 ohjauskeskus
- 2 ylikuumentumissuojalla varustettu lämpötila-anturi
- 3 seinäkiinnitteinen kiuas
- 4 sähkönsyöttö

5.2. Liitântäkaavio 230V 1N~

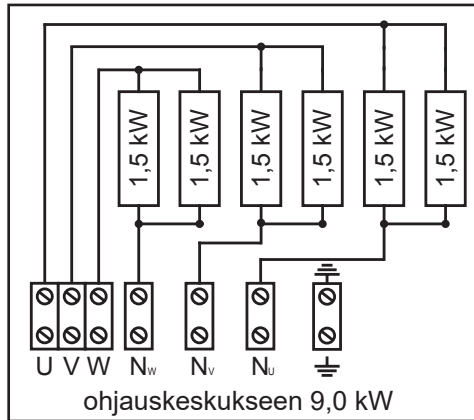
Kuva 4 Liitântäkaavio
(HWO-090NS-P / HWO-105NS-P)



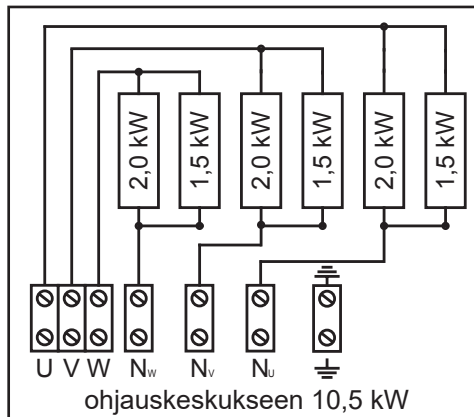
- 1 ohjauskeskus
- 2 ylikuumentumissuojalla varustettu lämpötila-anturi
- 3 seinäkiinnitteinen kiuas
- 4 sähkönsyöttö
- * Kuparisilloituksen poistaminen

5.3. Johdotuskaaviot

HWO-090NS



HWO-105NS



6. Käyttöönotto

6.1. Kivitiilan täyttäminen

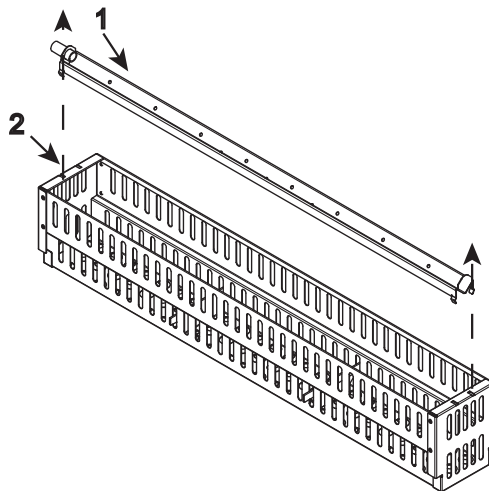
**VAROITUS!*****Ylikuumentuminen aiheuttaa palovaaran***

Jos kiuasta käytetään ilman kiviä, saunahuoneen seinät kuumenevat voimakkaasti. Se voi aiheuttaa tulipalon.

- Kiuasta EI KOSKAAN saa käyttää ilman kiuaskiviä.

Kiuastehoosi tarvittavan kivimäärän näet kappaleesta **12. Tekniset tiedot** (katso sivu **26**).

1. Pese kiuaskivet ennen käyttöä huolellisesti harjalla ja vedellä. Älä käytä puhdistuslisäaineita.
2. Ennen kuin ladot kivet kiukaaseen, tarkista, että kivien joukossa ei ole vieraita esineitä ja poista kaikki pakkausjäänteet.
3. Vedä löylyränni **1** pois kivitilasta **2** yläkautta ja asettele kivikoriin **2** kiukaan mukainen määrä kiviä tasaisesti.
4. Lado kiuaskivet väljästi, jotta ilma pääsee kiertämään vapaasti. Varmista, etteivät kiuaskivet tule kivitilan reunan yli.
5. Aseta löylyränni **1** uudelleen kivitilaan. Varmista, että se lukittuu paikalleen.



6.2. Kivitalan ohjekilven paikka

Kiukaan toimituksessa mukana oleva ohjekilpi on asetettava näkyvälle paikalle saunahuoneeseen.

Riittämättömästi täytetty kivitila aiheuttaa palovaaran!
Insufficient filled stone container causes fire hazard!
Un recipiente di pietre non riempito a sufficienza può causare rischio di incendio!
Onvoldoende gevulde steenhouders veroorzaakt brandgevaar!
Risque d'incendie si le réservoir de pierres n'est pas suffisamment rempli!

12/2011 8000217

6.3. "Ei saa peittää" -kilven sijoittaminen

Kiukaan toimituksessa mukana oleva ohjekilpi on asetettava näkyvälle paikalle saunahuoneeseen lähelle kiuasta.



6.4. Ensimmäinen lämmityskerta

**VARO!*****Ensilämmityksen aikana syntyy savua ja hajua***

Uusissa lämmitysvastuksissa on valmistusprosessista jääneitä käyttöaineita. Nämä tuhoutuvat ensimmäisellä lämmityskerralla. Samalla syntyy savua ja epämiellyttävää hajua. Näiden höyryjen tai savun hengittäminen on terveydelle haitallista.

Kun otat kiukaan **käyttöön ensimmäistä kertaa** ja kun **kiukaan lämmitysvastukset on vaihdettu**, tee seuraavat työvaiheet. Näin estät ensimmäisen lämmityskerran yhteydessä syntyvien höyryn ja savun aiheuttamat terveyshaitat.

1. Valitse ohjauskeskuksesta mahdollisimman korkea lämpötila.
2. Lämmitä kiuasta puoli tuntia.

ÄLÄ OLESKELE tänä aikana saunahuoneessa.

3. Tuuleta saunahuone hyvin ensilämmityksen jälkeen.
4. Jos seuraavan lämmittämisen aikana ei muodostu enää savua tai hajua, voit aloittaa saunomisen.

Jos savua tai hajua syntyy, poistu saunahuoneesta välittömästi ja toista ensimmäinen lämmittäminen ja tuuletus.

7. Käyttö



VAROITUS!

Palovaara

Kuuman kiukaan päälle tai kiukaan yläpuolella olevien ilma-aukkojen päälle asetetut tulenarat esineet syttyvät ja aiheuttavat tulipaloja.

- ÄLÄ KOSKAAN laske tulenarkoja esineitä kiukaalle.
 - Varmista, että kiukaalla EI ole tulenarkoja esineitä, kun otat kiukaan käyttöön.
-

7.1. Kiukaan käyttö

Kiuasta käytetään ohjauskeskuksella. Tietoa ohjauskeskuksen käytöstä saat käytettävän laitteen käyttöohjeesta. Huomaa, että seinäkiinnitteinen kiuas sopii ainoastaan ohjauskeskuksille ilman etäkäynnistystoimintoa.

7.2. Löylyn heittäminen

Saunomisen loppupuolella voit heittää löylyä. Kaada vettä kauhalla löylyastian. Vesi höyrystyy, ja ilmankosteus saunahuoneessa kohoaa.



Löylyputken vuoksi löyly tulee viiveellä. Odota aina löylyastian täytön jälkeen, että vesi on kulkenut kokonaan läpi.

Huomaa löylynheitossa seuraavat kohdat:

- Käytä ainoastaan vesijohtovettä. Merivesi, hyvin kalkkipitoinen ja kloorattu vesi voivat vaurioittaa kiuasta.
- Käytä ainoastaan sellaisia tuoksuja ja eteerisiä öljyjä, jotka ovat nimenomaan tarkoitettu saunan löylyveteen. Huomaa löylyaineiden valmistajien ohjeet pakkauksissa.
- Älä kaada vettä löylyastiaan liian nopeasti. Muutoin vesi ei höyrysty kokonaan.

8. Huolto

8.1. Pidemmät käyttökatkokset

Kosteissa ympäristöolosuhteissa tai käyttökatkosten kestäessä pitkään lämmitysvastuksiin kertyy kosteutta. Tämä on fysikaalinen ilmiö, eikä siis valmistajan virhe. Lämmitysvastusten kosteus voi aiheuttaa FI-suojakytkimen laukeamisen. Jos näin tapahtuu, ota yhteyttä sähköalan ammattilaiseen vian korjaamiseksi (katso kappale **10. Asentajan ongelmanratkaisuja**).



Lämmitä kiuasta 5-6 viikon välein noin 15 minuutin ajan. Näin estät veden kertymisen lämmitysvastuksiin pidempien käyttökatkosten aikana.

8.2. Kiukaan puhdistaminen

Varmista, että tuuletusaukoissa ei ole nukkaa ja pölyä. Näin estät kiukaan ilman kierron rajoittumisen ja laitteen ylikuumenemisen.

8.3. Kiuaskivien vaihtaminen

Löylyvesi ja suuret lämpötilavaihtelut kuormittavat kiuaskiviä. Kiuaskivet voivat kulua ja murentua.

Tarkasta kiuaskivet säännöllisesti ja vaihda ne vähintään kerran vuodessa.



VAROITUS!

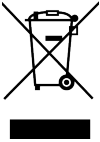
Ylikuumentuminen aiheuttaa palovaaran

Jos kiuasta käytetään ilman kiviä, saunahuoneen seinät kuumenevat voimakkaasti. Se voi aiheuttaa tulipalon.

- Kiuasta EI KOSKAAN saa käyttää ilman kiuaskiviä.
-

1. Poista vanhat kiuaskivet.
2. Puhdista kivitila kalkista, pölystä ja muusta liasta.
3. Pese kiuaskivet ennen käyttöä huolellisesti harjalla ja vedellä. Älä käytä puhdistuslisäaineita.
4. Ennen kuin ladot kivet kiukaaseen, tarkista, että kivien joukossa ei ole vieraita esineitä ja poista kaikki pakkausjäänteet.
5. Lado kiuaskivet kivitilaan. Lado kiuaskivet väljästi, jotta ilma pääsee kiertämään vapaasti.
6. Varmista, etteivät kiuaskivet tule kivitilan reunan yli.

9. Hävittäminen



- Hävitä pakkausmateriaali voimassaolevien määräysten mukaisesti.
- Laiteromussa on kierrätettäviä materiaaleja, mutta myös haitallisia aineita. Älä siis missään tapauksessa hävitä laiteromua sekajätteen mukana, vaan hävitä laite paikallisten voimassa olevien määräysten mukaisesti.

10. Asentajan ongelmanratkaisuja

Lämmitysvastusten lämmittäminen

Kosteissa ympäristöolosuhteissa tai käyttökatkosten kestäessä pitkään lämmitysvastuksiin voi kertyä kosteutta. Tämä on fysikaalinen ilmiö, eikä siis valmistajan virhe. Lämmitysvastusten kosteus voi joissain tilanteissa aiheuttaa FI-suojakytkimien laukeamisen.

Jos näin tapahtuu, kiuasta täytyy lämmittää sähköalan ammattilaisen valvonnassa. FI-suojakytkimien suojaus toiminto on tällöin kytkettävä pois päältä. Lämmitys kestää noin 10 minuuttia. Sen jälkeen FI-kytkimen suojaus toiminto on kytkettävä jälleen päälle.

Jos ongelma jatkuu, käänny laitteen toimittajan puoleen.

11. Varaosat

<i>Tuote- numero</i>	<i>Lämmitysvastukset</i>
HWO-090NS	6 x SCA150 (1-028-518)
HWO-105NS	3 x SCA150 (1-028-518) / 3 x SCA200 (1-043-503)

<i>Tuote- numero</i>	<i>Nimitys</i>
1-028-845	Kiukaan suojaritilä malleille 8,0 – 10,5 kW
1-028-297	Löylyastia

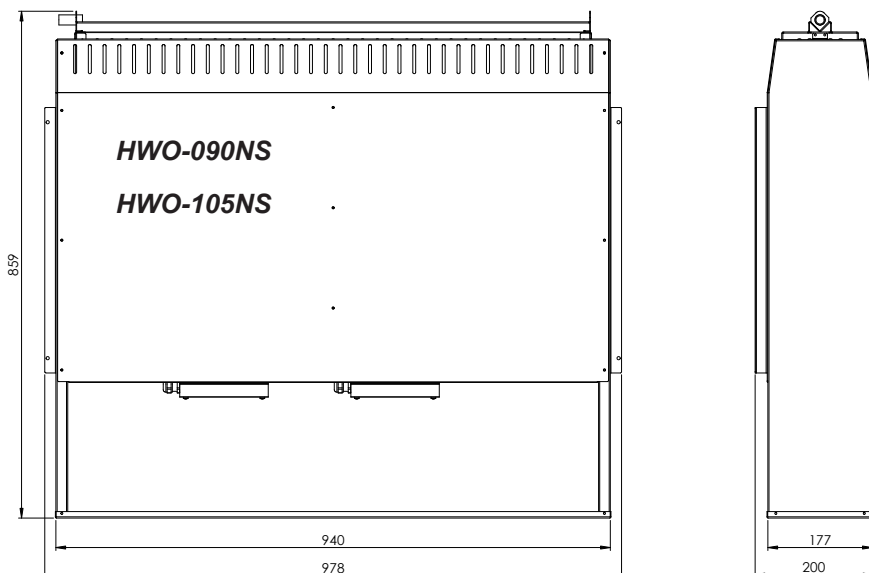
12. Tekniset tiedot

Tuote-numero	Teho [kW]	Saunahuoneen tilavuus [m ³]	Tuuletusaukon vähimmäiskoko [mm]	Paino ilman kiviä [kg]
HWO-090NS	9,0 kW	9 - 14 m ³	350 x 50	32
HWO-105NS	10,5 kW	10 - 15 m ³	350 x 60	32

Tuote-numero	Kivimäärä [kg]	Varmistin [A]	Syöttö
HWO-090NS	noin 15	3 x 16 / 1 x 50	400 V AC 3N~ 50/60 Hz 230 V AC 1N~ 50/60 Hz
HWO-105NS	noin 15	3 x 16 / 1 x 50	400 V AC 3N~ 50/60 Hz 230 V AC 1N~ 50/60 Hz

13. Mitat

Mittayksikkönä mm



sentiotec

DIVISION OF HARVIA GROUP

CENTRAL EUROPE

sentiotec GmbH | Division of Harvia Group |

Wartenburger Straße 31,

A-4840 Vöcklabruck

T +43 (0) 7672/22 900-50 | F -80 |

info@sentiotec.com | www.sentiotec.com

GLOBAL

HARVIA

P.O. Box 12, Teollisuustie 1-7,

40951 Muurame, FINLAND

T +358 207 464 000

harvia@harvia.fi | www.harvia.fi

RUSSIA

Адрес уполномоченного лица:

ООО «Харвия Рус»

196006, Россия. Санкт-Петербург г,

пр-кт Лиговский, д. 266, стр. 1, помещ.

2.1-Н.50 | ОГРН 1157847200818

T +78123258294 | spb@accountor.ru

