

1. Zu dieser Anleitung

Lesen Sie diese Montageanleitung gut durch und bewahren Sie sie in der Nähe des Geräts auf. So können Sie jederzeit Informationen zu Ihrer Sicherheit und zur Bedienung nachlesen.



Sie finden diese Montageanleitung auch im Downloadbereich unserer Webseite auf www.sentiotec.com.

Symbole in Warnhinweisen

In dieser Montage- und Gebrauchsanweisung ist vor Tätigkeiten, von denen eine Gefahr ausgeht, ein Warnhinweis angebracht. Befolgen Sie diese Warnhinweise unbedingt. So vermeiden Sie Sachschäden und Verletzungen, die im schlimmsten Fall sogar tödliche sein können.

In den Warnhinweisen werden Signalwörter verwendet, die folgende Bedeutungen haben:



GEFAHR!

Wenn Sie diesen Warnhinweis nicht beachten, sind Tod oder schwere Verletzungen die Folge.



WARNUNG!

Wenn Sie diesen Warnhinweis nicht beachten, können Tod oder schwere Verletzungen die Folge sein.



VORSICHT!

Wenn Sie diesen Warnhinweis nicht befolgen, können leichte Verletzungen die Folge sein.

ACHTUNG!

Dieses Signalwort warnt Sie vor Sachschäden.

Andere Symbole



Dieses Symbol kennzeichnet Tipps und nützliche Hinweise.

Electrodynamic exciter WC4-BT-EXC

INSTRUCTIONS FOR INSTALLATION AND USE
English



EN

Table of Contents

1. About this instruction manual	3
2. Important information for your safety	4
2.1. Intended use	4
2.2. Safety information	4
3. Product description	5
3.1. Scope of delivery	5
3.2. Product functions	5
4. Installation and electrical connection	6
5. FAQs	7
6. Disposal	7
7. Technical data	8

1. About this instruction manual

Read these installation instructions carefully and keep them within reach when using the device. This ensures that you can refer to information about safety and operation at any time.



These installation instructions can also be found in the downloads section of our website: www.sentiotec.com.

Symbols used for warnings

These installation and operating instructions feature warning symbols next to activities presenting a hazard to the user. Always observe the warning symbols. This prevents damage to property and injuries which could, in the worst case, be fatal.

The warning symbols contain keywords which have the following meanings:



DANGER!

Serious or fatal injury will occur if this warning symbol is not observed.



WARNING!

Serious or fatal injury may occur if this warning symbol is not observed.



CAUTION!

Minor injuries may occur if this warning symbol is not observed.

ATTENTION!

This keyword is a warning that damage to property may occur.

Other symbols



This symbol indicates tips and useful information.

2. Important information for your safety

The electrodynamic exciter WC4-BT-EXC has been manufactured in accordance with the applicable safety regulations for technical units. However, hazards may occur during installation and use. You should therefore adhere to the following safety information and the specific warnings in the individual chapters.

2.1. Intended use

The electrodynamic exciters are suitable for connection to the Bluetooth module wave.com4 sound and wave.com4 sound&light in place of conventional loudspeakers.

Any use exceeding this scope is considered improper use. Improper use can result in damage to the product, severe injuries or death.

2.2. Safety information

- Installation and connection of the device may only be performed when the power supply is disconnected.
- Follow the instructions in this instruction manual during installation, as the product may otherwise be damaged or have its service life shortened.
- NEVER open the device.
- For your own safety, consult your supplier in the event of problems that are not explained in sufficient detail in the installation instructions.

3. Product description

3.1. Scope of delivery

- 2 electrodynamic exciters
- 8 wood screws
- 2 connection cables

3.2. Product functions

The WC4-BT-EXC set includes two electrodynamic exciters which can be installed on the outside of the sauna wall or on the outside of the sauna ceiling.

The loudspeakers are not visible from the interior of the sauna and do not adversely affect the design of the sauna. The electrodynamic exciters transmit the vibrations to the wall or ceiling of the sauna and make it vibrate.

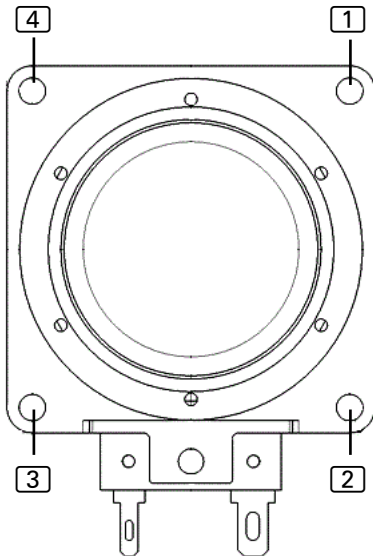
These vibrations are audible to the user inside the sauna as normal music. The sound of the music is highly dependent on the material, dimensions and shape of the sauna wall or sauna ceiling.

4. Installation and electrical connection

The installation position should be chosen according to the respective structure of the cabin.

The following principles apply:

- The larger the surface of the sauna wall or sauna ceiling, the better the acoustic properties.
- The thinner the sauna wall or sauna ceiling, the better the the acoustic properties.
- If other objects are installed on the wall/ceiling (lamps, thermometers, infrared emitters, etc.), they may impair the sound significantly and, in the worst case, cause unpleasant background noises.



1 – 4 mounting holes

1. Lay the connection cable in the wall of the sauna cabin, guiding it to the installation location of the Bluetooth module wave.com4 sound or to the power unit of the sound&light.
2. Secure the connection cable using cable ties.
3. Fasten the device to the cabin wall or the cabin ceiling using the wood screws supplied.
4. Connect the connection cable to the Bluetooth module wave.com4 sound or to the power unit of the sound&light. Observe the installation instructions for this device when doing so.

Fig. 1: Installation of the electrodynamic exciter

5. FAQs

Is a special amplifier required for the exciters?

No, the exciters can be connected to standard amplifiers, just like loudspeakers.

What materials are best used as an excitation surface?

Good results are obtained when the following materials are used:

- Sandwich plates with honeycomb structure (e.g. hexagonal structure)
- Thin wooden boards (e.g. HDF)
- Plexiglas® plates
- Real glass plates
- Ceiling panels for suspended ceilings
- Hard foam boards
- Plasterboard
- Fibreglass reinforced plastic

EN

What is the effect of attachment on a board close to a wall?

Installation close to, but not on, the wall suppresses the low notes due to acoustic radiation on two sides of the board. The closer the board is to the wall (e.g. rear cabin wall), the weaker the bass response.

6. Disposal



- Dispose of packaging materials in accordance with the applicable disposal regulations.
- Used devices contain reusable materials and hazardous substances. Do not dispose of your used device with household waste, but do so in accordance with the locally applicable regulations.

7. Technical data

Ambient conditions

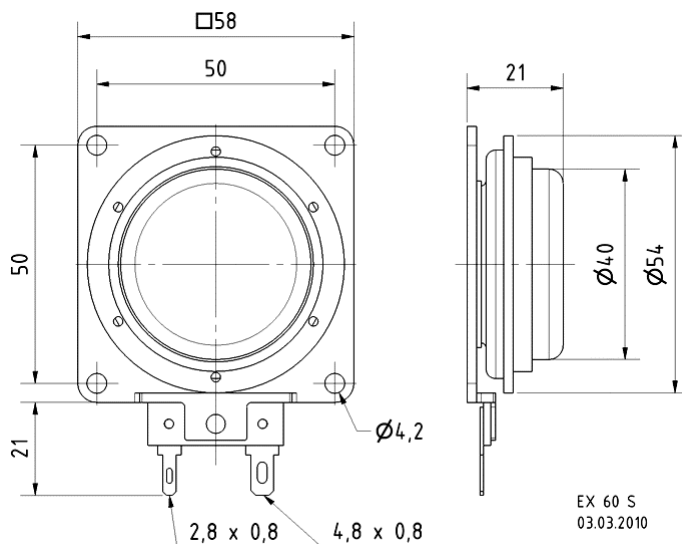
Ambient temperature:	-25 °C to +70 °C
Relative humidity:	max. 95%

Loudspeakers

Dimensions:	58 x 58 x 21 mm
Maximum power:	25 W
Nominal impedance Z:	8 Ohm
Net weight:	0.12 kg
Connections:	4.8 x 0.8 mm (+) 2.8 x 0.8 mm (-)

Connection cables

Cable cross-section:	Min. 2 x 0.75 mm ²
Max. cable length:	5 m



EX 60 S
03.03.2010

Fig. 2: Dimensions (in mm)



sentiotec GmbH | Division of Harvia Group | Wartenburger Straße 31, A-4840 Vöcklabruck
T +43 (0) 7672/22 900-50 | F -80 | info@sentiotec.com | www.sentiotec.com