

# SAUNA HEATER CONCEPT R MINI COMBI

## Sauna heater Concept R mini combi:

- 3,5 kW Art.-Nr.: CP-RMC-35 / 1-041-405
- 4,5 kW Art.-Nr.: CP-RMC-45 / 1-041-406
- 6,0 kW Art.-Nr.: CP-RMC-60 / 1-041-407
- 7,5 kW Art.-Nr.: CP-RMC-75 / 1-041-408

## Innovative technology Concept R mini combi

- Sauna heater output: 3.5 kW, 4.5 kW, 6 kW and 7.5 kW
- Evaporator output: 1 kW (at 7.5 kW - 1.5 kW)
- Internal components made from stainless steel
- Space-saving installation
- Easy to service thanks to the removable connection box
- Quick and easy wall mounting
- Optional:
  - Wooden railing (nut and lime)
  - Railing bracket kit
  - Foot
  - Wooden cover foot (nut and lime)

## Delivery Concept R mini combi:

- Sauna heater
- Installation and use instructions

## Accessoires Concept R mini combi:

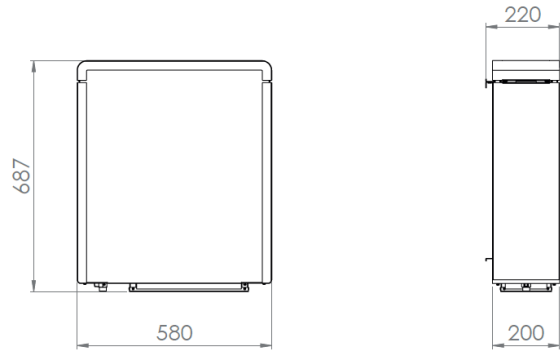
- Mounting set for heater railing Concept R mini combi  
CP-RMC-HSR / 1-041-410
- Wooden railing Concept R mini combi linden  
CP-RMC-L / 1-041-412
- Wooden railing Concept R mini combi nut  
CP-RMC-N / 1-041-411
- Stand Concept R mini combi  
CP-RMC-SF / 1-041- 409
- Cover Stand Concept R mini linden  
CP-RM-CSF-L / 1-041482
- Cover Stand Concept R mini nut  
CP-RM-CSF-N / 1-041-483



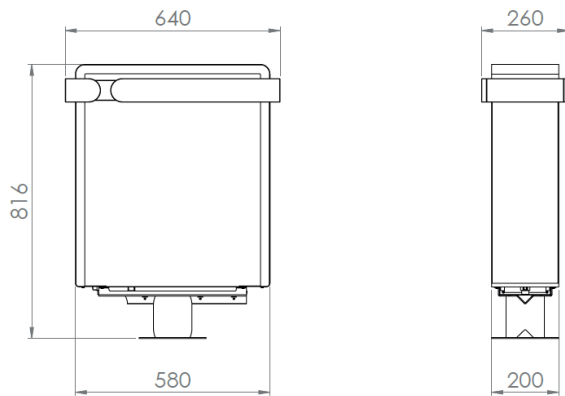
# SAUNA HEATER CONCEPT R MINI COMBI

## Messures Concept R mini combi:

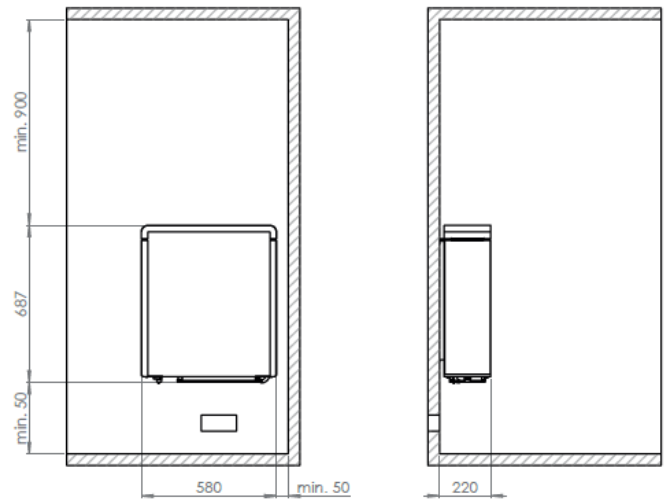
## Minimum distances:



Ohne Reling



Mit Reling



## Technical specifications:

| Articelnr | min. size ventilation opening (mm) | Safeguarding [A] | Providing             | power heater (kW) | power vaporizer (kW) | cabin volume (m <sup>3</sup> ) | weight without stones (kg) | stone quantity (kg) |
|-----------|------------------------------------|------------------|-----------------------|-------------------|----------------------|--------------------------------|----------------------------|---------------------|
| CP-RMC-35 | 350 x 20                           | 3 x 10           | 400 V AC 3N~ 50/60 Hz | 3,5               | 1                    | 3 - 5                          | 29,5                       | ca. 15              |
|           |                                    |                  | 230 V AC 1N~ 50/60 Hz | 4,5               | 1                    | 4 - 6                          | 29,5                       | ca. 15              |
| CP-RMC-45 | 350 x 25                           | 3 x 10           | 230 V AC 3~ 50/60 Hz  | 6,0               | 1                    | 5 - 8                          | 29,5                       | ca. 15              |
|           |                                    |                  | 400 V AC 3N~ 50/60 Hz | 7,5               | 1,5                  | 7 - 11                         | 29,5                       | ca. 15              |
| CP-RMC-60 | 350 x 30                           | 3 x 10           | 230 V AC 1N~ 50/60 Hz |                   |                      |                                |                            |                     |
|           |                                    |                  | 230 V AC 3~ 50/60 Hz  |                   |                      |                                |                            |                     |
| CP-RMC-75 | 350 x 35                           | 3 x 16           | 400 V AC 3N~ 50/60 Hz |                   |                      |                                |                            |                     |
|           |                                    |                  | 230 V AC 1N~ 50/60 Hz |                   |                      |                                |                            |                     |

